

15 Gallon Paint Hopper for use with Cart Mounted Binks® Airless Spray Pumps

⚠ WARNING

For equipment manufactured by entities other than Marco, you must consult the Original Equipment Manufacturer operator's manuals, information, training, instructions and warnings, for the proper and intended use of all equipment. Failure to comply with the above warning could result in death or serious injury.

⚠ WARNING

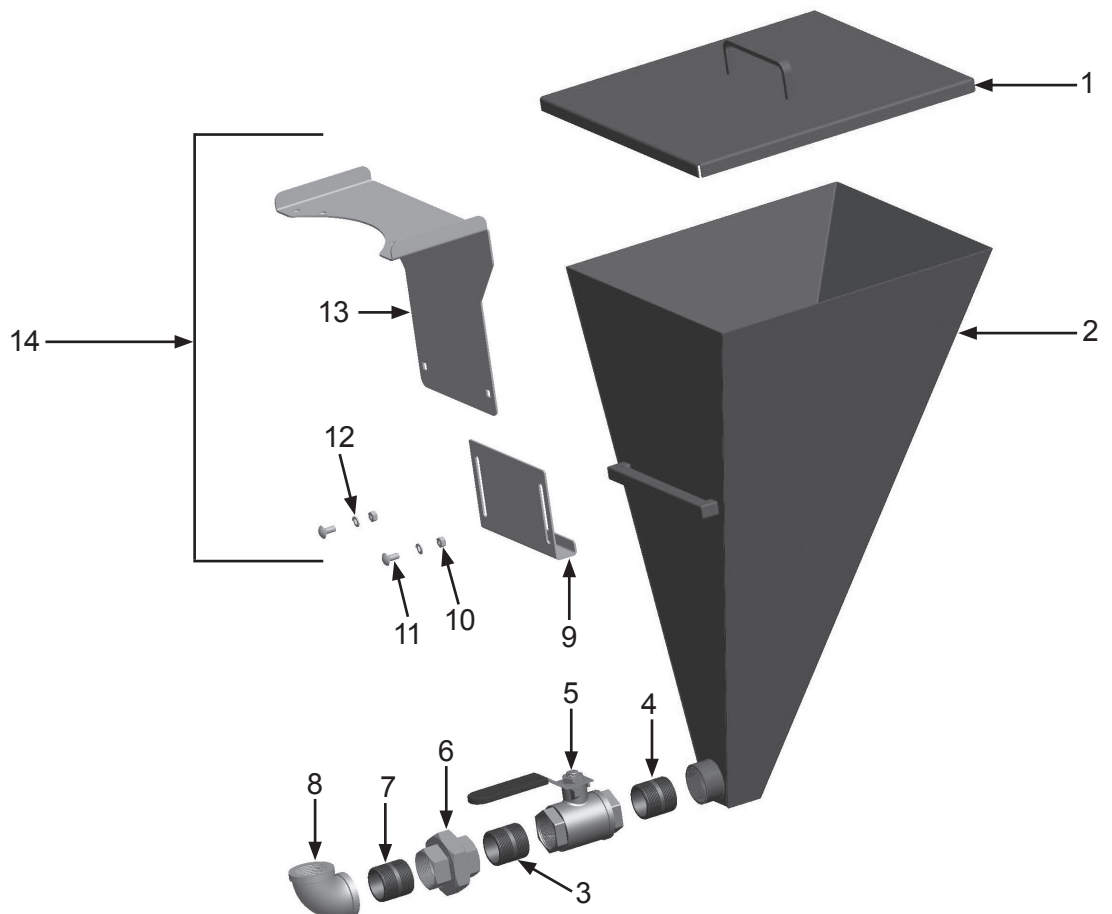
Flammable fumes, such as solvent and paint fumes in the work area can present an ignition or explosion hazard if allowed to collect in adequate concentrations. To reduce conditions that could result in a fire or an explosion, provide adequate ventilation, eliminate all ignition or spark sources, keep the work area free of debris, store solvents and solvent contaminated rags in approved containers, follow proper grounding procedures, do not plug/unplug power cord or turn on/off power switches when flammable fumes are present, keep a working fire extinguisher or provide another fire suppression system in the work area. Cease all operations and correct condition if a spark or ignition source is identified during operation. Failure to comply with the above warning could result in death or serious injury.

Maintenance of the 15 Gallon Paint Hopper is limited to the daily cleaning and the immediate replacement of damaged or worn parts.

Fig. 1

Installation Instructions:

- 1) Disassemble Pipe Union (6).
- 2) Install Elbow (8) onto Airless Spray Pump Inlet Port (*not shown*).
- 3) Install Close Nipple (7) into Elbow (8).
- 4) Install one half of Pipe Union (6) on Close Nipple (7).
- 5) Assemble pipe string by installing second part of Pipe Union (6), Close Nipple (3), Ball Valve (5), and Pipe Nipple (4). Attach assembly to Tank (2).
- 6) Install Airless Spray Pump Mounting Bracket (13) to Hopper Mounting Bracket (9) using Nuts (10), Lock Washers (12), and Bolts (11). Do not tighten.
- 7) Mount assembled Hopper Mounting Bracket Assembly (14) to Airless Spray Pump Cart (*not shown*).
- 8) Attach Tank (2) to Hopper Mounting Bracket Assembly (14). Adjust height of Hopper Mounting Bracket Assembly (14), then tighten Nuts (10).
- 9) Ensure pipe strings are aligned and tighten Pipe Union (6).
- 10) Install Lid (1) on Tank (2).



Binks® is a registered trademark of Binks.

15 Gallon Paint Hopper – Assembly Part Numbers for use with Cart Mounted Binks® Airless Spray Pumps

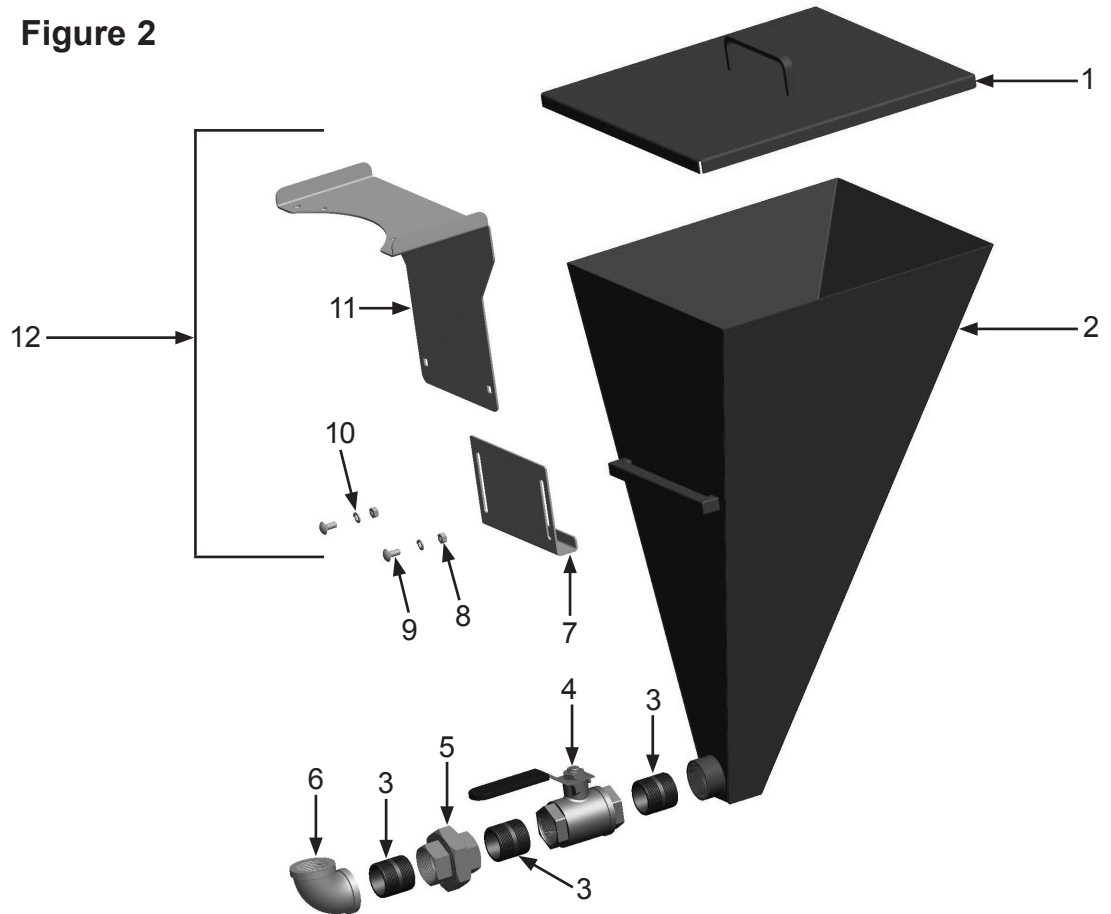
⚠ WARNING

Inspect all equipment for wear or damage before and after each use. Failure to use Original Equipment Manufacturer repair parts and failure to immediately replace worn or damaged components could void warranties and cause malfunctions. Failure to comply with the above warning could result in death or serious injury.

⚠ WARNING

The use of this product for any purpose other than originally intended or altered from its original design is prohibited. Failure to comply with the above warning could result in death or serious injury.

Figure 2



Item #	Part #	Description
--------	--------	-------------

Fig. 2

—	20100669	15 Gallon Paint Hopper – for use with Binks Cart Mounted Airless Spray Pumps
1	20100614	Stainless Steel Lid – 15 Gallon Hopper
2	20100610	Stainless Steel Hopper
3	1014015	1-1/2" Galvanized Close Nipple (Three Required)
4	1011603	1-1/2" Full Port Ball Valve
5	10102398	1-1/2" NPT Galvanized Pipe Union
6	1011842	1-1/2" 90° Galvanized Elbow
7	20100664	Hopper Mounting Bracket
8	1035046	5/16-18 Nut (Two Required)
9	20100670	Bolt (Two Required)
10	10L805014	5/16" Lock Washer (Two Required)
11	20100665	Binks Airless Spray Pump Mounting Bracket
12	20G288603	Hopper Mounting Bracket Assembly (Includes Item #'s: 7–11)
—	2090010	15 Gallon Paint Hopper – for use with Binks Cart Mounted Airless Spray Pumps – Technical Data Sheet

Binks® is a registered trademark of Binks.