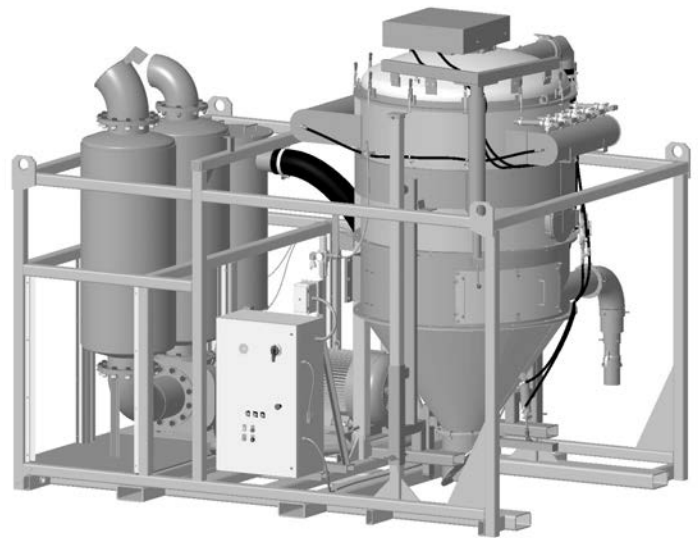
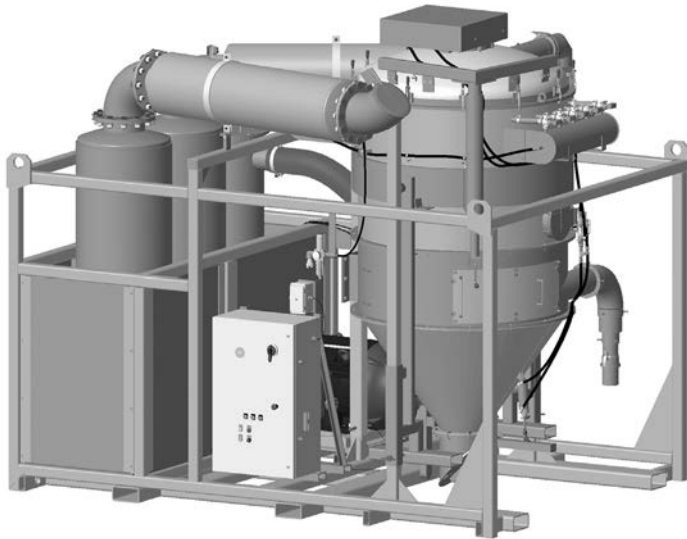




# VACMASTER® 15T ELECTRIC ABRASIVE VACUUMS



**BUILT MARCO**  
**TOUGH**  
MARCO MANUFACTURED

## PART NUMBERS AND SCHEMATICS GUIDE

## Company Profile

Since 1944, Marco has developed a strong tradition of providing innovative and reliable products and services to the surface preparation and protective coatings industries. We are the world's premier provider of Abrasives, Blasting, Coating, Dust Collectors, Engineered Systems, Rental, Safety, Service, Repair, & Modernization, and Vacuums.

Through innovative designs and a total commitment to quality, Marco manufactures products that increase production rates, create a safer workplace, and reduce maintenance costs. Marco's industry experience, manufacturing capabilities, legendary customer service, product availability, logistics services, and technology leadership is your assurance that we deliver high quality products and services, providing the best value to you, our customer.

## The Marco Difference

- **Industry Experience** – With Marco on your team, you have access to expertise which can only come from decades of industry leadership. We have organized our engineering department, production specialists, customer operations, and safety support into a "Center of Competence." As a Marco customer, you have access to hundreds of years of cumulative experience related to your operations.
- **Manufacturing Excellence** – Marco is a manufacturer of equipment for the Surface Preparation and Protective Coatings industries. Marco's engineers benchmark the industry to ensure that we design and manufacture superior products that set the "Gold Standard" for performance, safety, and quality.
- **Legendary Customer Service** – Marco's legendary customer service team is staffed by friendly, highly-trained individuals who are focused on providing the highest level of product support, order accuracy, and customer satisfaction.
- **Product Availability** – We stock over 10,000 SKU's and have more than 45 shipping locations to serve North American and International markets for all major brands of blasting and coating equipment. As the largest provider of surface preparation and protective coatings equipment in the world, our inventory levels and product availability are unmatched.
- **Logistics Services** – Marco's in-house logistics team is dedicated to moving your shipment anywhere in the world. We move more than 14,000 truckloads every year, allowing you to save on freight costs by leveraging our buying power. Lower your process costs with a single invoice, which includes product and freight.
- **Technology Leadership** – Our website provides: Operator's Manuals, Part Numbers and Schematics Guides, SDS information, and Features & Specifications Guides, providing access to information 24/7. Our Extranet application allows you to receive quotes and place orders online. Our Intranet maintains a complete record of your purchase history to assist with ongoing support of your existing equipment and future purchasing decisions.

## Vision Statement

Marco is the world's premier provider of Abrasives, Blasting, Coating, Dust Collectors, Engineered Systems, Rental, Safety, Service, Repair, & Modernization, and Vacuums.

## Mission Statement

Marco provides strong leadership and innovation to the surface preparation and protective coatings industries. We dedicate our efforts to the continuous improvement of our products, services, processes, people, and most importantly, the quality of our customer's experience.

## Quality Statement

Marco is committed to providing superior quality in the design, manufacturing, distribution, rental, service, and repair of our products. Continuous improvement of our processes and supply chain Integration comprise the core of our business strategy for delivering exceptional quality and value in all Marco products and services.

## Management Philosophy

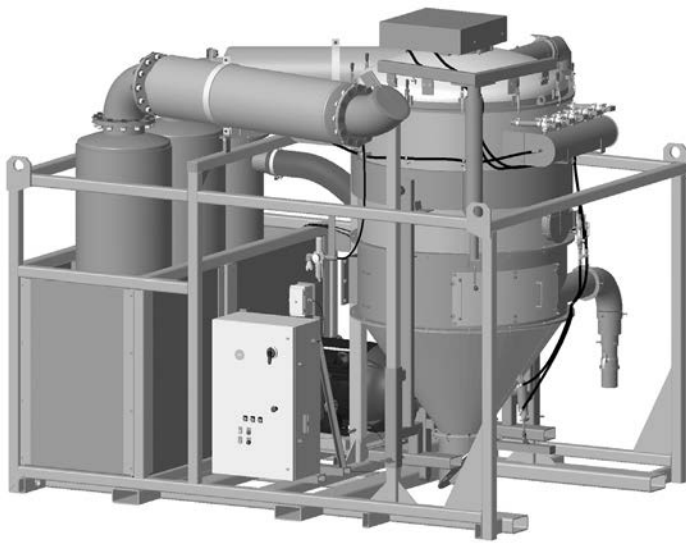
We are a company dedicated to the success of every customer and associate. We discuss, debate, challenge, measure, and test our ideas. We will be boundless and limitless in our passion to improve. Through sound leadership and dedicated associates, we will ensure a long term, profitable future for Marco, our associates, customers, and suppliers.

# TABLE OF CONTENTS

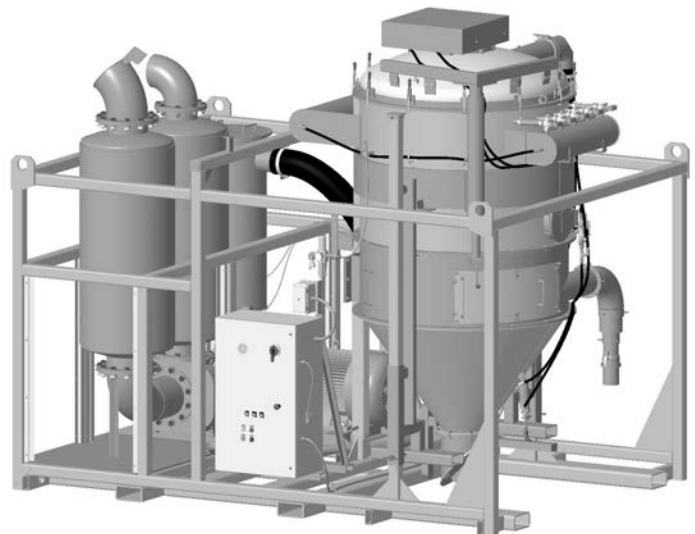
<b>Company Profile</b> .....	<b>1</b>
<b>Part Numbers</b> .....	<b>3</b>
<b>Specifications</b> .....	<b>4</b>
<b>Assembly Part Numbers and Schematics</b> .....	<b>5</b>
Front Assembly .....	5
Front Assembly with with Sound Reduction Package .....	7
Top Assembly .....	9
Rear Assembly .....	11
Left Side Assembly .....	13
Right Side Assembly .....	15
Pneumatic Piston Vibrators .....	17
Filter Bag Pulsers .....	18
Pulser System Assembly .....	19
Wear Plates and Baffles .....	21
Sound Panels and Straps .....	23
Emergency-Stop Station .....	24
Hazard Identification Decals .....	25
<b>Optional Accessories</b> .....	<b>30</b>
<b>Literature References</b> .....	<b>32</b>

## PART NUMBERS

VACMASTER® 15T ELECTRIC ABRASIVE VACUUMS				
Part Numbers	Sound Reduction	150 Horsepower Electric Motor	Acrylic-Coated Filter Bags	Filter Bag Quantity
10106338	X	X	X	37
10106337		X	X	37



(10106338)



(10106337)

# SPECIFICATIONS

<b>Performance:</b>	MAX 2367 CFM
<b>Filter Cartridge Style:</b>	Acrylic-Coated Filter Bags 37 Required
<b>Filter Cleaning:</b>	Pulse System, 25–30 second intervals. Pulse Duration: 200–350 millisecond
<b>Vacuum</b>	24" Hg
<b>Ducting Connections:</b>	6" I.D. Inlet with 4" adapter
<b>Inspection Ports:</b>	One 10" Viewable to Filters with access ports to hopper
<b>Material Removal:</b>	Automatic Direct Dump
<b>Blower:</b>	Rotary lobe, positive displacement with jet inlet
<b>Motor:</b>	150 Horsepower Electric 3-Phase
<b>Electrical System:</b>	460 V, 60 Hz 170 FLA
<b>Air Requirements:</b>	Clean, Dry, Compressed Air 24 CFM @ 90 PSI
<b>Motor Protection:</b>	Motors are fused in control box.
<b>Fluid Specifications:</b>	Grease/Lubricator: Mobil Polyrex EM or equivalent Vibrator Lubricator: 4 oz. pneumatic air tool oil Blower Oil: ROOTS™ synthetic lubricating oil
<b>Unit Dimensions:</b>	Weight: 10,000 pounds (empty) Length: 12' Width: 8' 6" Height: 10' 5" Raised Height: 15' 8" Dump Clearance: 7' 9"
<b>Unit Dimensions with Sound Reduction Package:</b>	Weight: 11,000 pounds (empty) Length: 12' Width: 8' 6" Height: 10' 5" Raised Height: 15' 8" Dump Clearance: 7' 9"

# ASSEMBLY PART NUMBERS AND SCHEMATICS

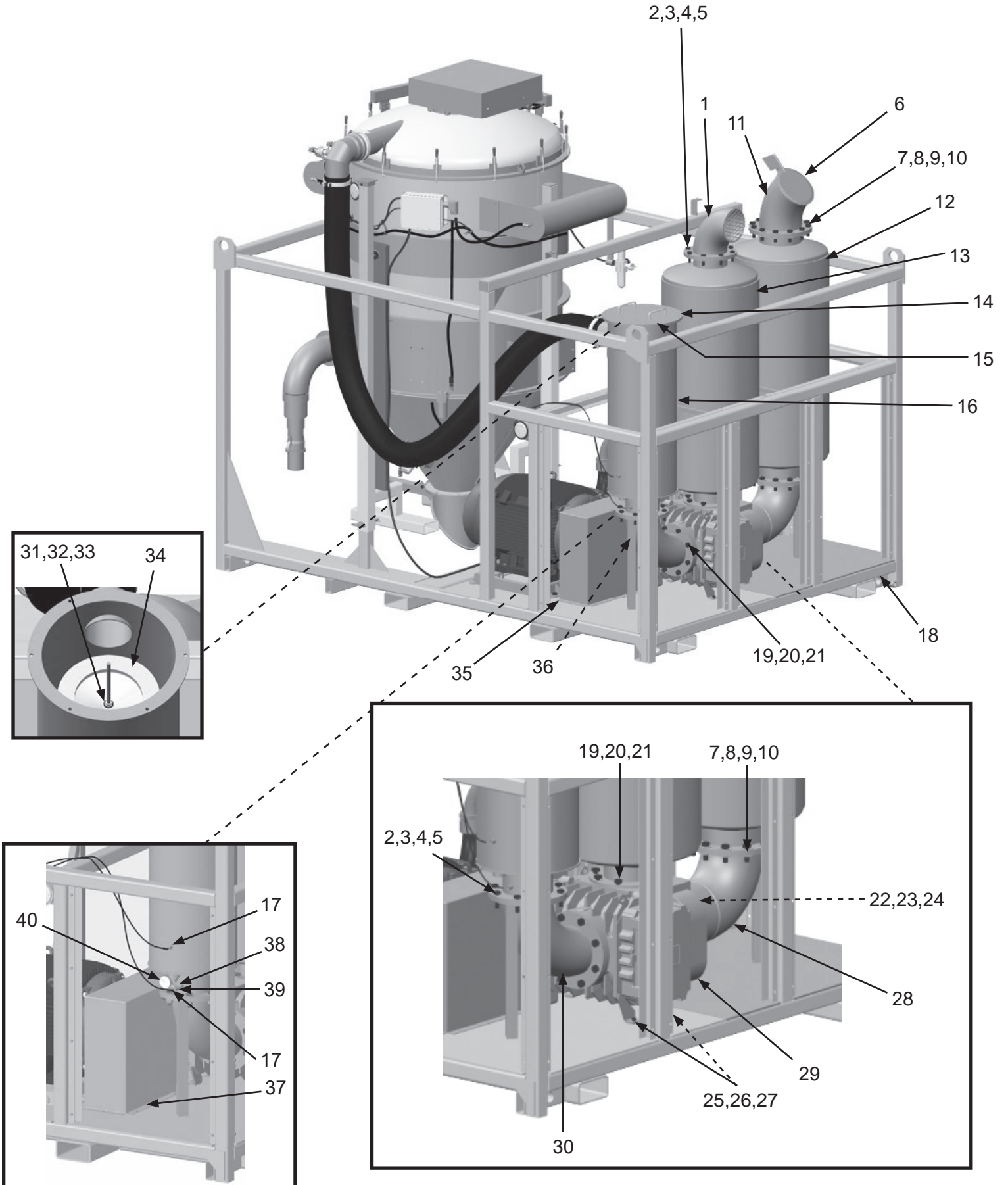
## Front Assembly

Item #	Part #	Description
<b>Fig. 1</b>		
1	10106385	Jet Port Inlet Flange
2	10100701	3/4-10 x 2-1/2" Hex Bolt (16 Required)
3	10100704	3/4" Flat Washer (32 Required)
4	10100596	3/4" Lock Washer (16 Required)
5	10100595	3/4-10 Hex Nut (16 Required)
6	10104639	10" Raincap
7	10106283	7/8-9 x 2-1/2" Grade 5 Zinc Bolt (24 Required)
8	10104716	7/8" Flat Washer - Zinc (48 Required)
9	10104717	7/8" Lock Washer - Zinc (24 Required)
10	10104822	7/8-8 Grade 5 Zinc Nut (24 Required)
11	10106309	10" Exhaust Silencer End
12	10106292	10" Discharge Silencer
13	10106291	8" Jet Port Silencer
14	10106508	Intake Filter Housing Cap
15	10104727	Air Filter Housing Gasket
16	10106279	Intake Filter Housing
17	20PFBA31095614	1/4" Tube x 1/4" NPT 90° (Two Required)
18	10106226	Electric Vacuum Skid Frame
19	10104714	3/4-10 x 1-5/8" Grade 5 Zinc Bolt (20 Required)
20	10100596	3/4" Lock Washer (20 Required)
21	10100704	3/4" Flat Washer (20 Required)
22	10104715	7/8-9 x 2" Grade 5 Zinc Bolt (12 Required)
23	10104716	7/8" Flat Washer - Zinc (12 Required)
24	10104717	7/8" Lock Washer - Zinc (12 Required)
25	10104710	1/2-13 x 2" Grade 8 Bolt (Four Required)

Item #	Part #	Description
26	10104711	1/2" Grade 8 Flat (Eight Required)
27	10104712	1/2" Grade 8 Lock Washer (Four Required)
28	10106280	10" Discharge Elbow
29	10104456	616 Blower, Top Shaft Left Discharge
30	10106284	8" Inlet Elbow Weldment
31	10101941	1/2-10 Hex Nut
32	10100674	1/2" Flat Washer
33	10102005	Rubber Washer 1-1/4" O.D. x 3/8" I.D. x 1/8"
34	10102253	Filter Cartridge 12.75" x 8.38" x 36" - Flange - .54"
35	10106379	Belt Guard
36	10106378	Belt Guard
37	10103400	3/8-16 x 3/4" Bolt (Eight Required)
38	20PFHA24SA0404	1/4" Hex Nipple
39	1011844	1/4" Pipe Tee
40	10104677	1/4"F Vacuum Gauge
—	10106896	Blower Oil 100 For below 0° F
—	10106897	Blower Oil 150 For 0 – 32° F
—	10105254	Blower Oil 220 For 32 – 90° F
—	10106898	Blower Oil 320 For above 90° F

# PART NUMBERS AND SCHEMATICS

Figure 1: Front Assembly



## PART NUMBERS AND SCHEMATICS

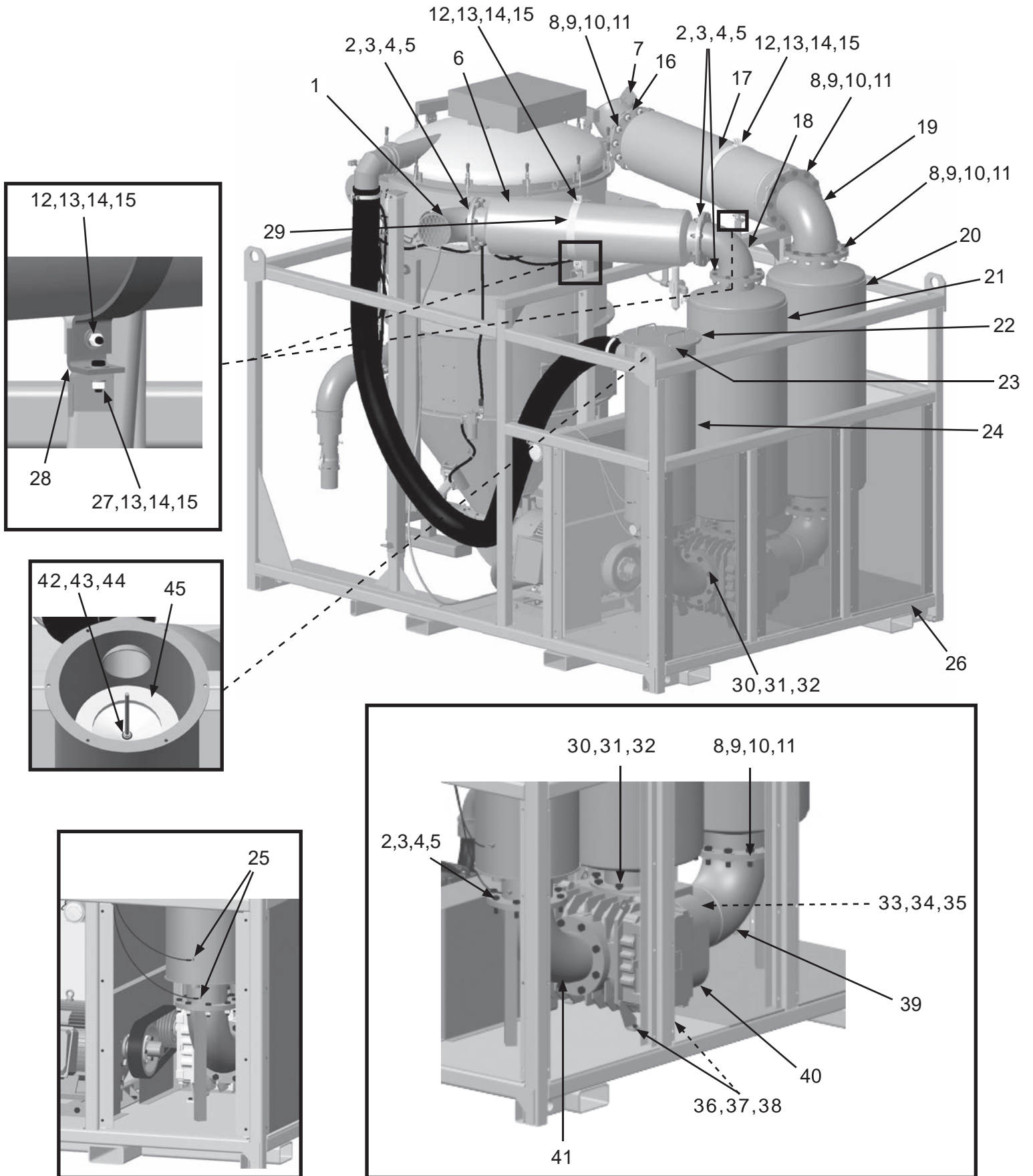
### Front Assembly with with Sound Reduction Package

Item #	Part #	Description	Item #	Part #	Description
<b>Fig. 2</b>			27	10104234	3/8-16 x 1-1/4" Hex Bolt Zinc ( <i>Two Required</i> )
1	10106385	Jet Port Inlet Flange	28	10106313	Silencer Support Angle
2	10100701	3/4-10 x 2-1/2" Hex Bolt ( <i>32 Required</i> )	29	10106311	8" Silencer Strap ( <i>Two Required</i> )
3	10100704	3/4" Flat Washer ( <i>64 Required</i> )	30	10104714	3/4-10 x 1-5/8" Grade 5 Zinc Bolt ( <i>20 Required</i> )
4	10100596	3/4" Lock Washer ( <i>32 Required</i> )	31	10100596	3/4" Lock Washer ( <i>20 Required</i> )
5	10100595	3/4-10 Hex Nut ( <i>32 Required</i> )	32	10100704	3/4" Flat Washer ( <i>20 Required</i> )
6	10106293	8" Secondary Jet Port Silencer	33	10104715	7/8-9 x 2" Grade 5 Zinc Bolt ( <i>12 Required</i> )
7	10104639	10" Raincap	34	10104716	7/8" Flat Washer - Zinc ( <i>12 Required</i> )
8	10106283	7/8-9 x 2-1/2" Grade 5 Zinc Bolt ( <i>44 Required</i> )	35	10104717	7/8" Lock Washer - Zinc ( <i>12 Required</i> )
9	10104716	7/8" Flat Washer - Zinc ( <i>88 Required</i> )	36	10104710	1/2-13 x 2" Grade 8 Bolt ( <i>Four Required</i> )
10	10104717	7/8" Lock Washer - Zinc ( <i>44 Required</i> )	37	10104711	1/2" Grade 8 Flat Washer ( <i>Eight Required</i> )
11	10104822	7/8"-8 Grade 5 Zinc Nut ( <i>44 Required</i> )	38	10104712	1/2" Grade 8 Lock Washer ( <i>Four Required</i> )
12	1028617	3/8-16 x 1-3/4" Shoulder Bolt ( <i>Four Required</i> )	39	10106280	10" Discharge Elbow
13	10101942	3/8" Flat Washer Galvanized ( <i>10 Required</i> )	40	10104456	616 Blower, Top Shaft Left Discharge
14	10101936	3/8" Lock Washer - Zinc ( <i>Six Required</i> )	41	10106284	8" Inlet Elbow Weldment
15	1012318	3/8"-16 Hex Nut ( <i>Six Required</i> )	42	10101941	1/2-10 Hex Nut
16	10106309	10" Exhaust Silencer End	43	10100674	1/2" Flat Washer
17	10106312	10" Silencer Support Strap ( <i>Two Required</i> )	44	10102005	Rubber Washer 1.25" O.D. x .375" I.D. x .13"
18	10106273	8" Jet Port Inlet Elbow	45	10102253	Filter Cartridge 12.75" x 8.38" x 36" - Flange - .54"
19	10106276	10" Exhaust Elbow	—	10106896	Blower Oil 100 <i>For below 0° F</i>
20	10106292	10" Discharge Silencer	—	10106897	Blower Oil 150 <i>For 0 – 32° F</i>
21	10106291	8" Jet Port Silencer	—	10105254	Blower Oil 220 <i>For 32 – 90° F</i>
22	10106508	Intake Filter Housing Cap	—	10106898	Blower Oil 320 <i>For above 90° F</i>
23	10104727	Air Filter Housing Gasket			
24	10106279	Intake Filter Housing			
25	20PFBA31095614	1/4" Tube x 1/4" NPT 90° ( <i>Two Required</i> )			
26	10106226	Electric Vacuum Skid Frame			



# PART NUMBERS AND SCHEMATICS

Figure 2: Front Assembly with with Sound Reduction Package



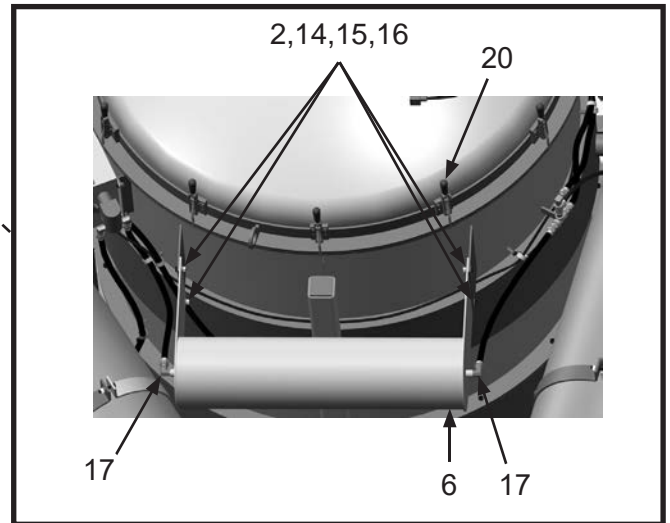
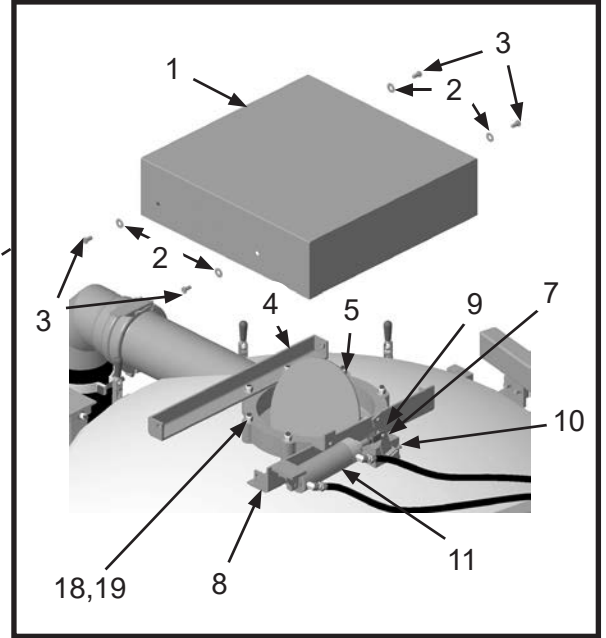
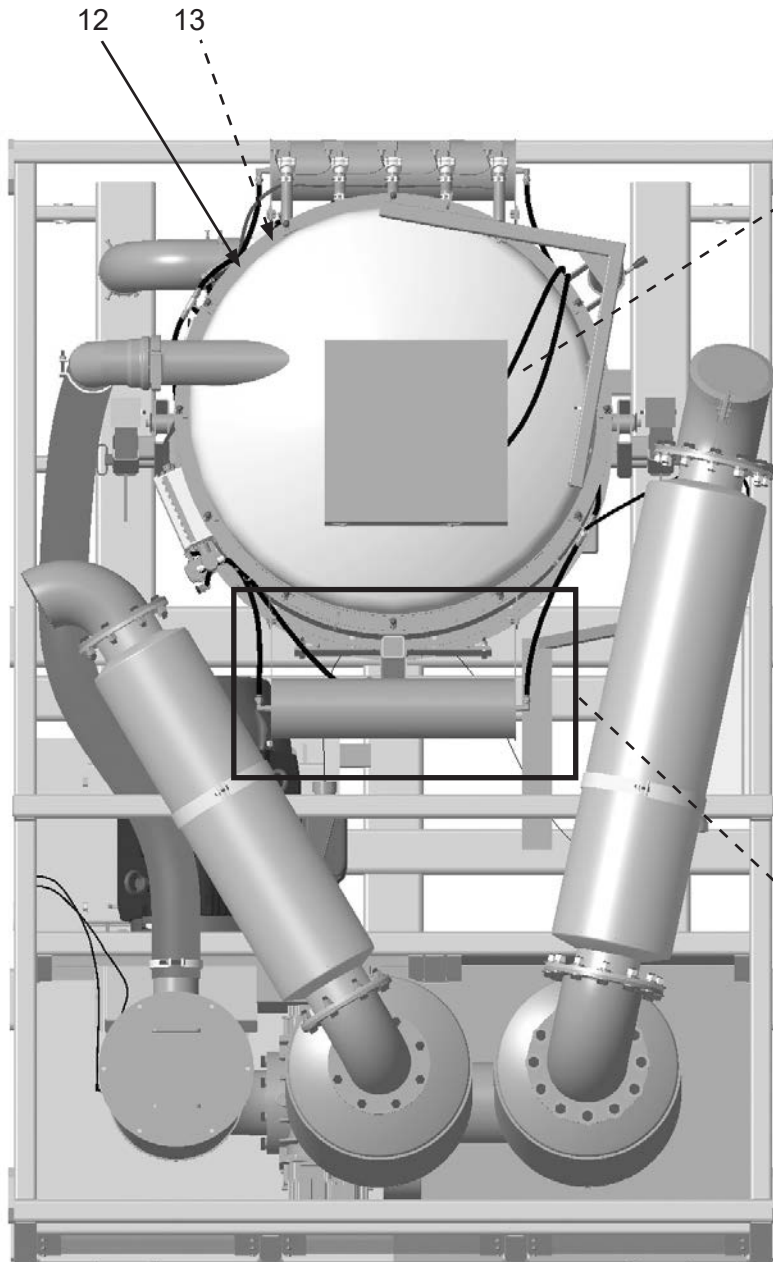
# PART NUMBERS AND SCHEMATICS

## Top Assembly

Item #	Part #	Description
<b>Fig. 3</b>		
1	10104559	Vacuum Butterfly Cover
2	10101942	3/8" Flat Washer - Galvanized ( <i>13 Required</i> )
3	10103400	3/8-16 x 3/4" Bolt ( <i>Four Required</i> )
4	10104554	Butterfly Cover Mount Weldment
5	10104537	12" Butterfly
6	10106288	Auxiliary Header
7	10104668	Piston Rod Clevis
8	10104538	Vacuum Butterfly Cylinder Weldment
9	10104543	Butterfly Actuating Arm
10	20100125	1/4-20 x 3/4" Zinc Hex Bolt
11	10104667	2.5" Pneumatic Cylinder
12	10104479	Vacuum Lid Weldment
13	10104426	Vacuum Hopper Section Gasket
14	1011747	3/8-16 x 1" Bolt ( <i>Four Required</i> )
15	10101936	3/8" Lock Washer - Zinc ( <i>Four Required</i> )
16	10101938	3/8-16 Hex nut ( <i>Four Required</i> )
17	20PFHA60UA0606	3/8" (M) x 3/8" (F) 90° Swivel ( <i>Two Required</i> )
18	10100674	1/2" Flat Washer ( <i>Eight Required</i> )
19	20100124	1/2-13 Hex Lock Nut ( <i>Eight Required</i> )
20	10104486	Over Center Clamp ( <i>12 Required</i> )

# PART NUMBERS AND SCHEMATICS

Figure 3: Top Assembly



## PART NUMBERS AND SCHEMATICS

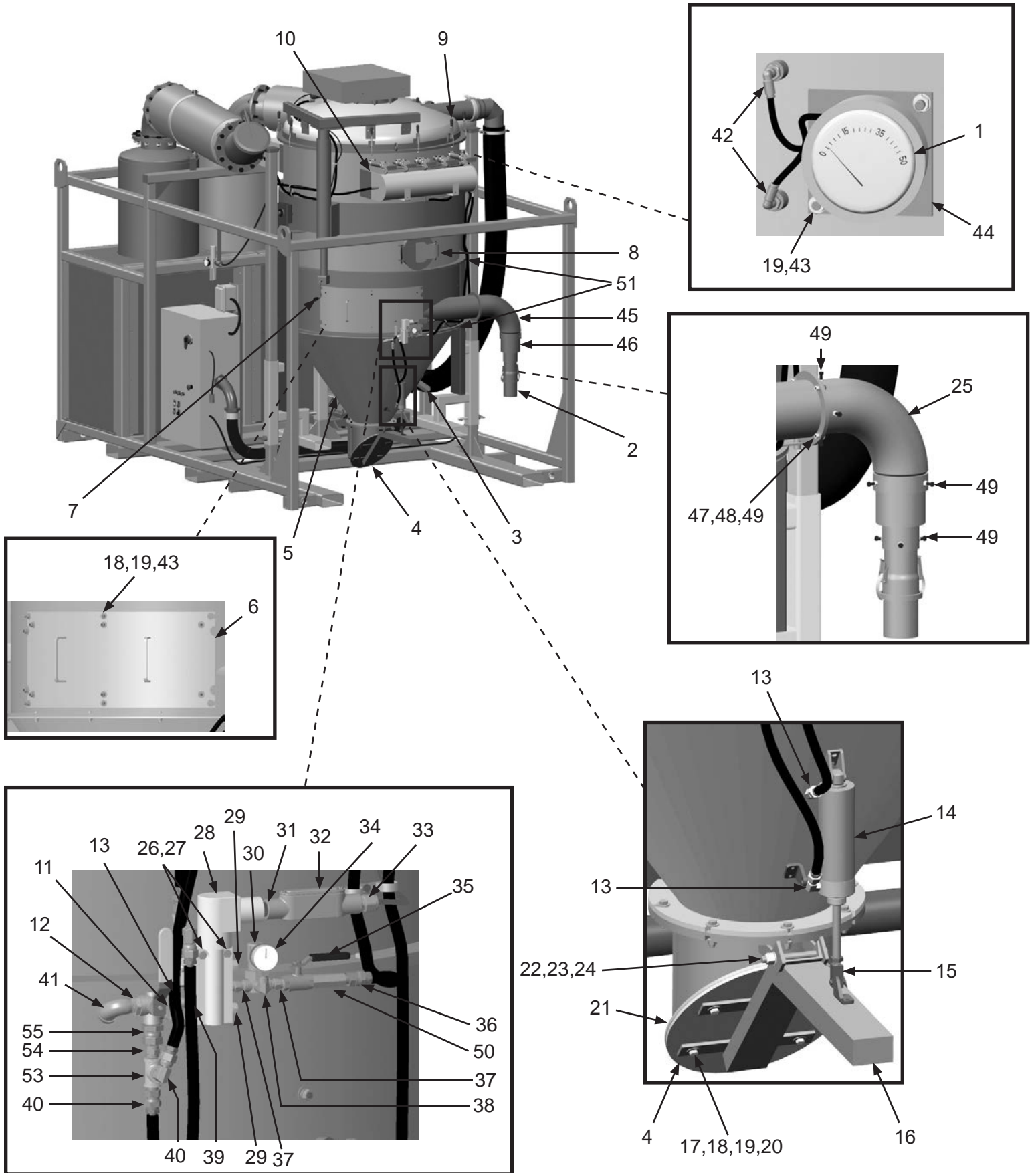
### Rear Assembly

Item #	Part #	Description
<b>Fig. 4</b>		
1	10104673	0-50" Differential Pressure Gauge
2	10107797	4" Quick Disconnect Coupling
3	10104665	APV Series Piston Vibrator <i>(See figure 6)</i>
4	10104506	Dump Door
5	10104411	Vacuum Hopper Cone
6	10106511	Vacuum Wear Door
	10105190	Wear Door Only
	10105189	Wear Door Liner Only
7	10104638	Bulldog Trailer Jack
8	10104439	Hatch
9	10104486	Vacuum Lid Overcenter Clamp <i>(12 Required)</i>
10	10104498	Vacuum Header
11	1011818	1/2" x 1/4" Galvanized Bushing
12	20100571	1/2" NPT 3-Way Brass Ball Valve
13	20PFHA60UA0406	1/4" (M) x 3/8" (F) 90° Swivel <i>(Two Required)</i>
14	10104667	2.5" Pneumatic Cylinder
15	10104668	Piston Rod Clevis
16	10104507	Dump Arm
17	10104234	3/8-16 x 1-1/4" Hex Bolt Zinc <i>(Four Required)</i>
18	10101942	3/8" Flat Washer <i>(22 Required)</i>
19	10101936	3/8" Lock Washer - Zinc <i>(16 Required)</i>
20	1012318	3/8-16 Hex Nut <i>(Four Required)</i>
21	10104512	Dump Door Gasket
—	10104511	Dump Door Internal Plate
22	20100160	1/2-13 x 4-1/2" Hex Bolt
23	10100674	1/2" Flat Washer <i>(Two Required)</i>
24	20100124	1/2-13 Hex Lock Nut
25	10108921	Inlet Elbow Weldment
26	1019044	1/4-20 x 1-3/4" Zinc Bolt <i>(Two Required)</i>

Item #	Part #	Description
27	1012323	1/4-20 Zinc Lock Nut with Nylon Insert <i>(Two Required)</i>
28	10104670	Solenoid
29	1019024	Breather Vent
30	10104676	Series MPR Mini Pressure Regulator
31	10L803035	1/2" Close Nipple
32	1019025	1/2" Straight Conduit Body
33	10104703	Cord Grip, 1/2" Nylon .2-.47 Diameter
34	10104678	1/8" Pressure Gauge 100 PSI
35	1080050	1/4" Ball Valve
36	20PFHA60SG0406	1/4" (F) x 3/8" (F) Swivel Union <i>(Two Required)</i>
37	20PFHA24SA0404	1/4" Hex Nipple <i>(Three Required)</i>
38	1014239	1/8" x 1/8" 90° Fitting
39	1011210	1/4" NPT x 1 1/2" Nipple
40	20PFHA60SA0806	1/2" (M) x 3/8" (F) Swivel Union
41	1011819	1/2" Street Elbow
42	20PFBA31095614	1/4" Tube x 1/4" NPT 90°
43	10101938	3/8-16 Hex Nut <i>(14 Required)</i>
44	10103608	Magnehelic Mount
45	10104546	Inlet Elbow Weldment
46	10104550	Inlet Adapter Weldment
47	10101942	3/8" Flat Washer - Galvanized <i>(Eight Required)</i>
48	10101938	3/8 -16 Hex Nut Galvanized <i>(Four Required)</i>
49	1011747	3/8-16 x 1" Bolt - Zinc <i>(13 Required)</i>
50	10109020	1/4" NPT Inline Air Filter
51	10104426	Vacuum Hopper Section Gasket

# PART NUMBERS AND SCHEMATICS

Figure 4: Rear Assembly



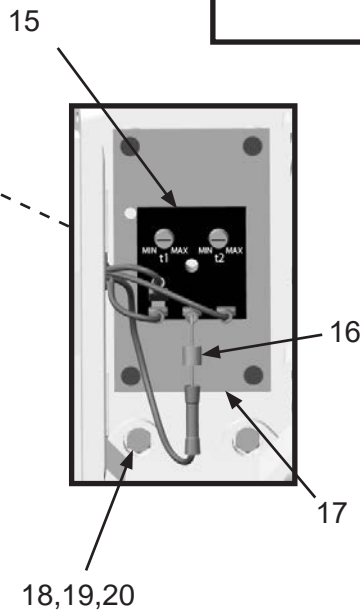
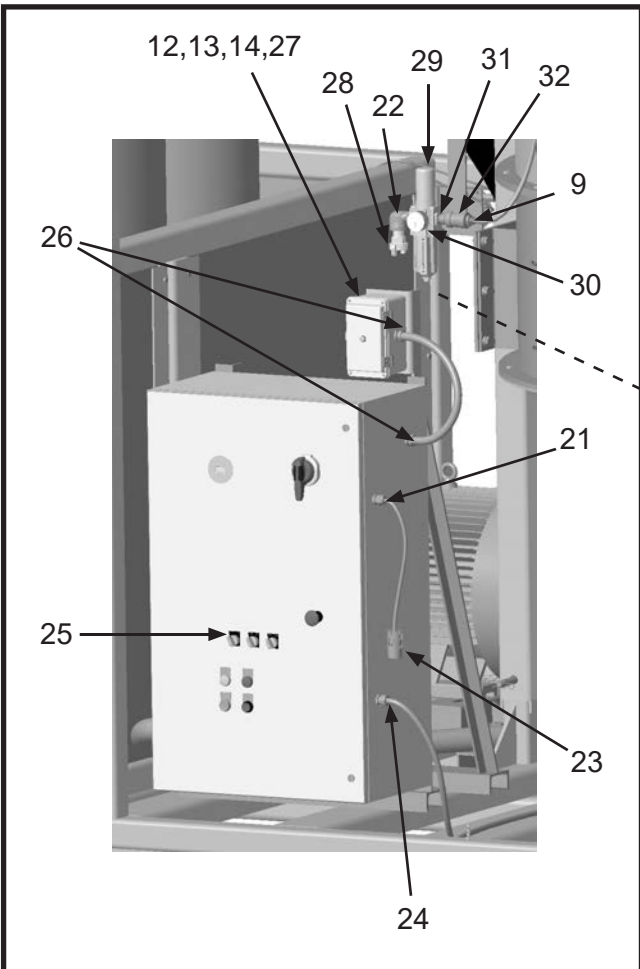
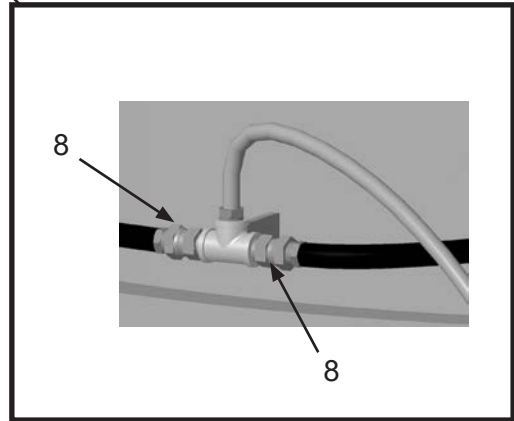
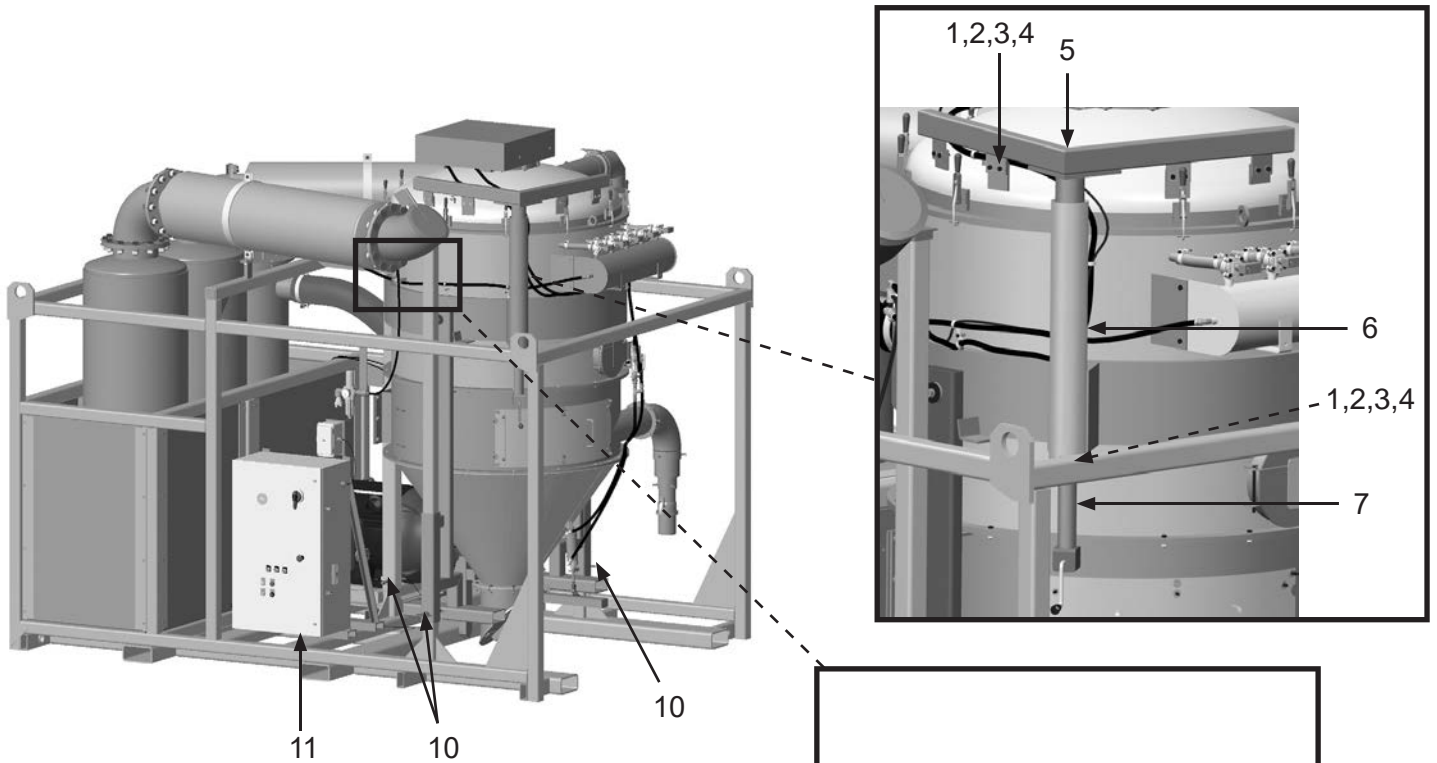
## PART NUMBERS AND SCHEMATICS

### Left Side Assembly

Item #	Part #	Description
<b>Fig. 5</b>		
1	10104234	3/8-16 x 1-1/4" Hex Bolt Zinc <i>(Eight Required)</i>
2	10101942	3/8" Flat Washer - Galvanized <i>(40 Required)</i>
3	10101936	3/8" Lock Washer - Zinc <i>(11 Required)</i>
4	1012318	3/8-16 Hex Nut <i>(11 Required)</i>
5	10104472	Vacuum Lid Lift
6	10104434	Vacuum Top Section
7	10104638	Bulldog Trailer Jack
8	20PFHA60SA0606	Union Swivel 3/8" (M) x 3/8" (F) <i>(Two Required)</i>
9	20PFHA24SB1206	3/4" x 3/8" Reducing Bushing
10	10103788	Hitch Pin - 3/4" x 6 1/2" Long
11	10106295	Vacuum Control Panel
12	1012154	1/4-20 x 1 Hex Bolt
13	10101940	1/4" Flat Washer - Galvanized
14	10101939	1/4-20 Stainless Steel Lock Nut With Nylon Insert
15	10106818	Vacuum Control Timer
16	10104109	6 Amp 50-Volt Rectifier
17	10105193	Enclosure Panel
18	20100125	1/4-20 x 3/4" Zinc Hex Bolt <i>(Eight Required)</i>
19	10101940	1/4" Flat Washer - Galvanized <i>(Four Required)</i>
20	10101939	1/4-20 Stainless Steel Lock Nut with Nylon Insert <i>(Four Required)</i>
21	10104703	Cord Grip Nylon 1/2"-NPT .2-.47 Diameter
22	10102479	3/4" 90 Degree Street Elbow
23	1015556	Female Twist Plug 3 Prong
24	20RCG5050	Cord Grip, 1/2"-NPT .5-.625 Diameter
25	10103305	Selector Switch - 2-Way <i>(Three Required)</i>
26	20RST50	Straight Liquid Tite Connector Fitting
27	10104615	8" x 4" x 5" Fiberglass Latch Enclosure
28	10ME1	X Coupling 2-Lug Male 3/4"
29	10103257	74 Series Filter / Regulator
30	1028606	1/4" Pressure Gauge 160 PSI
31	10103317	3/4" x 2" Nipple
32	10106366	3/4" NPT Coupling

# PART NUMBERS AND SCHEMATICS

Figure 5: Left Side Assembly



## PART NUMBERS AND SCHEMATICS

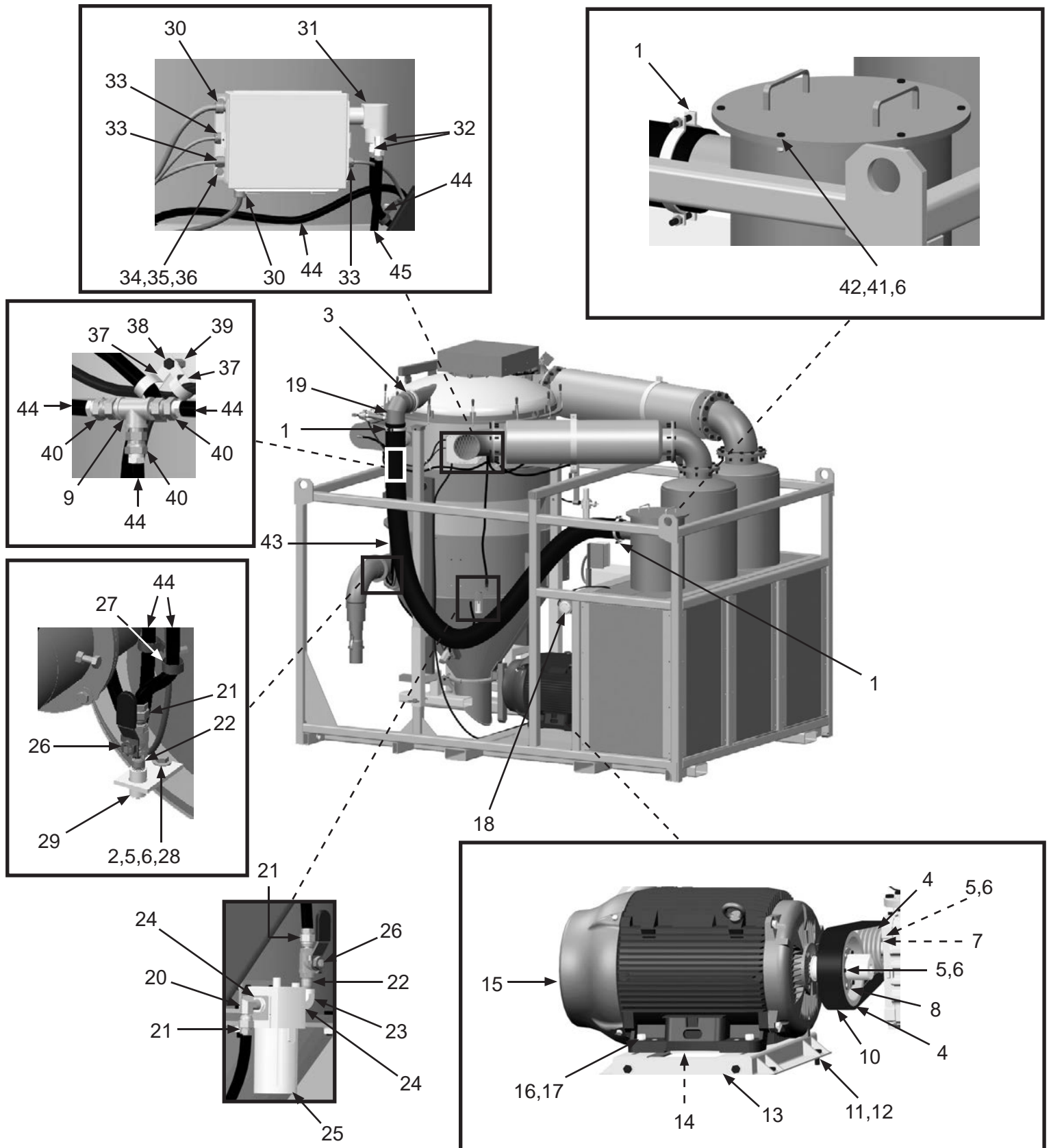
### Right Side Assembly

Item #	Part #	Description	Item #	Part #	Description
<b>Fig. 6</b>			26	1080060	3/8" NPT Full Port Brass Ball Valve (Two Required)
1	10104640	6" Double Bolt Clamp (Two Required)	27	10103624	1" Rubber Cushioned Loop Clamp
2	10101942	3/8" Flat Washer (Five Required)	28	1012318	3/8-16 Hex Nut
3	10104637	6" Bandlock Clamp	29	10104597	Airline Drain
4	10106340	5/5V 7.10" Sheave (Two Required)	30	20RCG5050	1/2" NPT x .5—.625 Diameter Cord Grip (Two Required)
5	1028617	3/8-16 x 1-3/4" Shoulder Bolt (Seven Required)	31	10104671	Vibrator Solenoid
6	10101936	3/8" Lock Washer - Zinc (Seven Required)	32	20PFHA60UA0406	1/4" (M) x 3/8" (F) 90° Swivel (Two Required)
7	10106342	Bushing 2" Bore	33	10104703	1/2" NPT x .2—.47 Diameter Nylon Cord Grip (Three Required)
8	10106107	Bushing 2-7/8" Bore	34	10101939	1/4-20 Stainless Steel Lock Nut with Nylon Insert (Four Required)
9	1011809	3/8" NPT Tee	35	10101940	1/4" Flat Washer - Galvanized (Four Required)
10	10106339	5 Strand 5VP600 Belt - 60"	36	20100125	1/4-20 x 3/4" Zinc Hex Bolt (Four Required)
11	10103417	3/4-10 UNC x 1-3/4" Bolt (Four Required)	37	10103624	1" Rubber Cushioned Loop Clamp (10 Required)
12	10103418	Washer - 3/4" (Four Required)	38	10L805302	Jr & Sr Spindle Bolt (10 Required)
13	10106256	HP Motor Base	39	10102387	1/4-28 Coupling Nut (10 Required)
14	10106129	3" Straight Conduit Hub	40	20PFHA60SA0606	Union Swivel 3/8" (M) x 3/8" (F) (Three Required)
15	10106015	150 HP 3 Phase Electric Motor	41	10104234	3/8-16 X 1-1/4 Hex Bolt Zinc Gr 5
16	10103420	3/4-10 UNC Nut (Four Required)	42	10101938	3/8"-16 Hex Nut Galvanized
17	10103419	3/4" Lock Washer (Four Required)	43	10VH620B	Ureflex 1 6" ID Vac Hose 20' Section
18	10109021	0-80" Differential Pressure Gauge	44	10AH038	Air Hose 3/8" Is 300 PSI
19	10104636	6" 90° Elbow Non-Plated			
20	20PFHA60UA0606	3/8" (M) x 3/8" (F) 90° Swivel Union			
21	20PFHA60SA0606	Union Swivel 3/8" (M) x 3/8" (F) (Three Required)			
22	1011209	3/8 NPT Close Nipple			
23	20PFHA25UG0606	3/8" Street Elbow			
24	20PFHA24SB0806	1/2" x 3/8" Reducing Bushing (Two Required)			
25	10104674	Lubricator, 1/2" NPT 156 CFM			



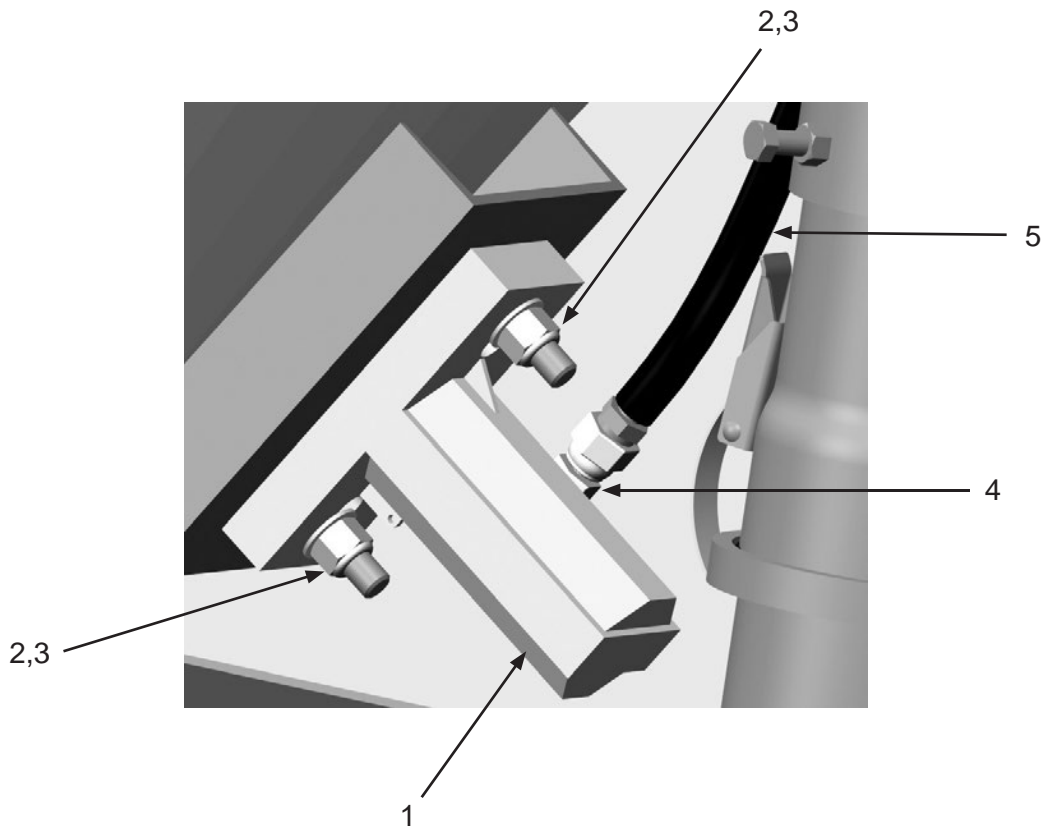
# PART NUMBERS AND SCHEMATICS

Figure 6: Right Side Assembly



## PART NUMBERS AND SCHEMATICS

Figure 7: Pneumatic Piston Vibrators



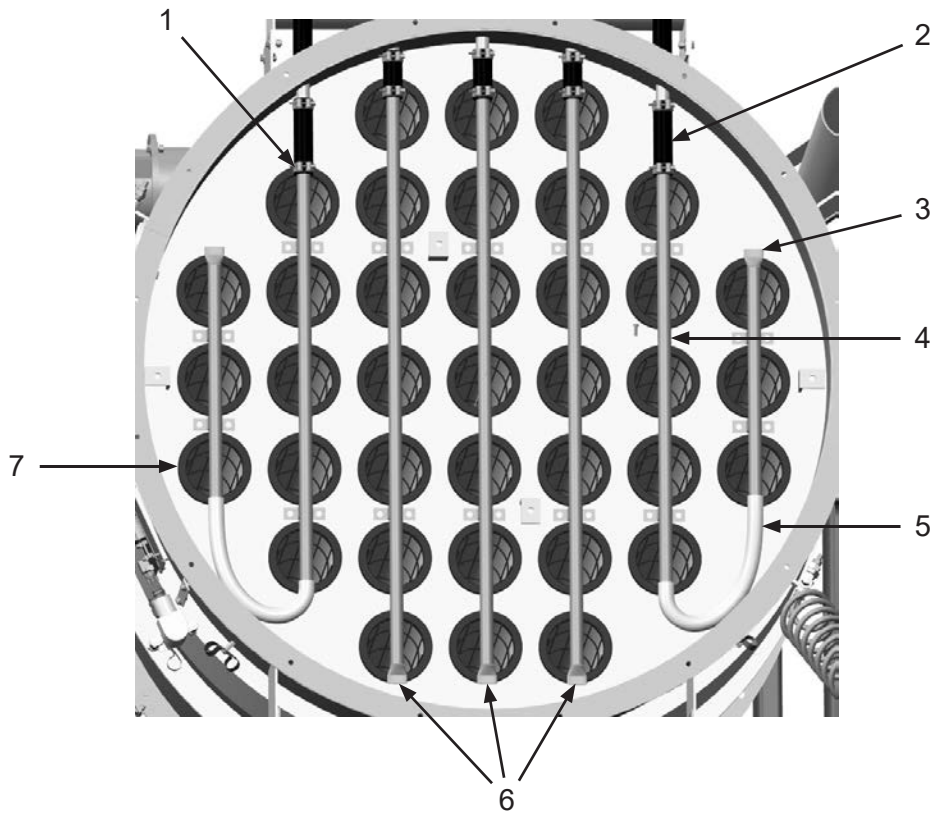
Item #	Part #	Description
--------	--------	-------------

Fig. 7

1	10104665	APV Series Piston Vibrator
2	20100124	1/2-13 Hex Lock Nut - Zinc ( <i>Two Required</i> )
3	10100674	1/2" Flat Washer ( <i>Two Required</i> )
4	20PFHA60UA0406	1/4" (M) x 3/8" (F) 90° Swivel Union
5	10AH038	Air Hose 3/8" Is 300 PSI

## PART NUMBERS AND SCHEMATICS

Figure 8: Filter Bag Pulsers



Item #	Part #	Description
<b>Fig. 8</b>		
1	10103736	T-Bolt Hose Clamp For 1" I.D. (10 Required)
2	10106509	1" 75W Marine Hose - 100 PSI (Five Required)
3	10104562	Pulser System Short Blowpipe (Two Required)
4	10104565	Pulser System Medium Blowpipe (Two Required)
5	10104680	1" Flexible Tubing For Blowpipes (Two Required)
6	10104567	Pulser System Long Blowpipe (Three Required)
7	10104633	Vacuum Baghouse Filter (37 Required)
—	10104634	Vacuum Baghouse Filter Cage (37 Required)

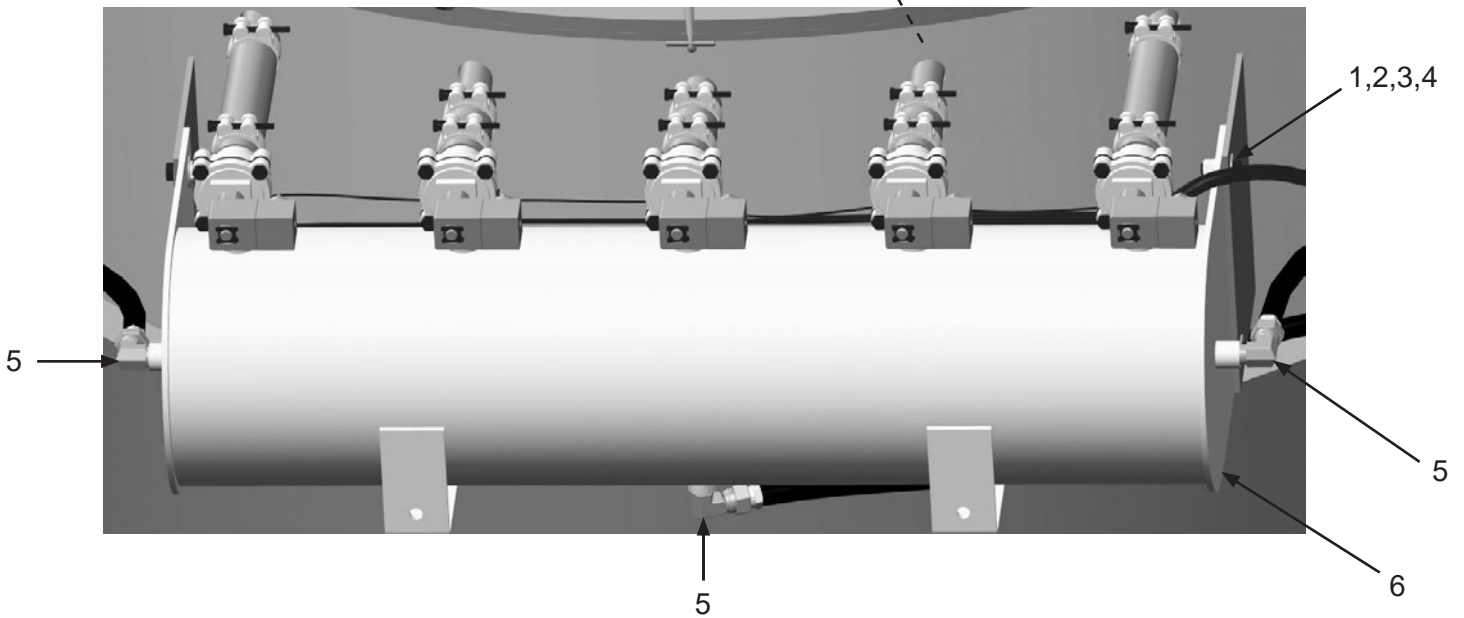
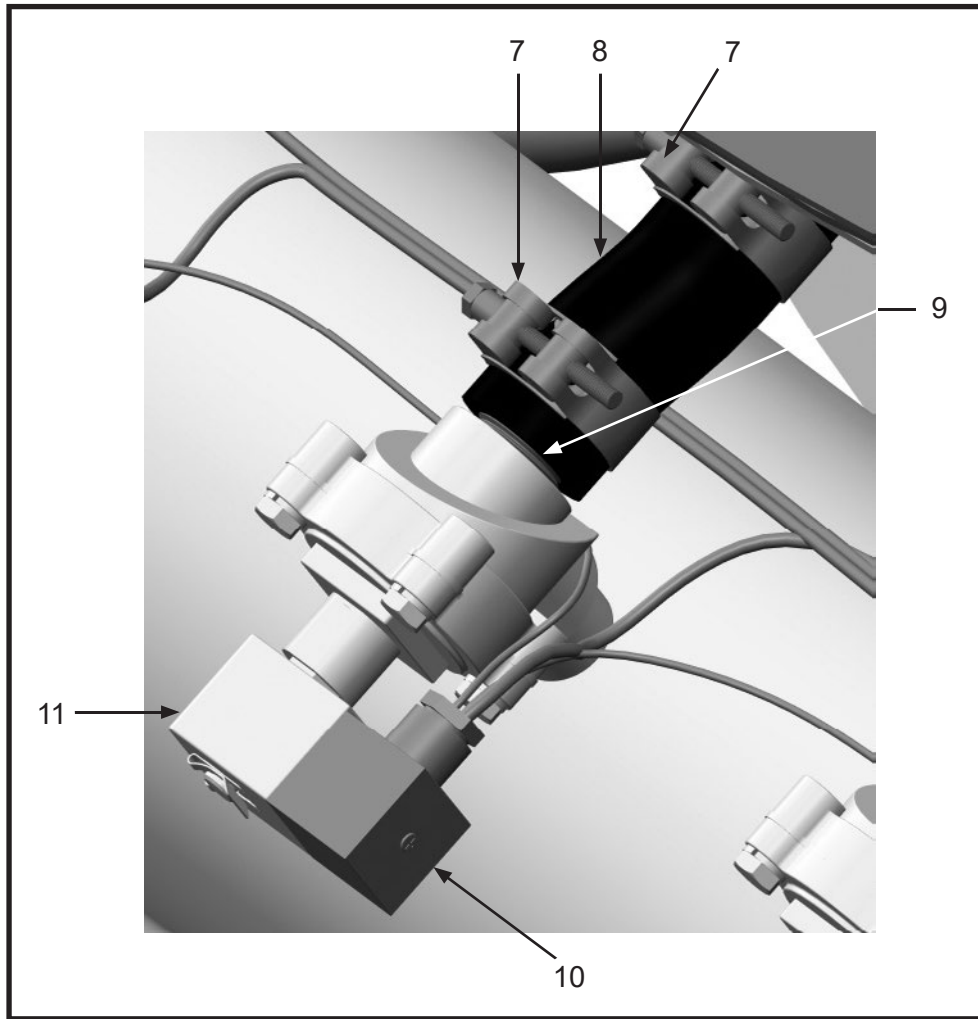
# PART NUMBERS AND SCHEMATICS

## Pulser System Assembly

Item #	Part #	Description
<b>Fig. 9</b>		
1	10101942	3/8" Flat Washer - Galvanized ( <i>Eight Required</i> )
2	10101936	3/8" Lock Washer - Zinc ( <i>Four Required</i> )
3	1011747	3/8-16 x 1" Bolt ( <i>Four Required</i> )
4	10101938	3/8-16 Hex Nut ( <i>Four Required</i> )
5	20PFHA60UA0606	3/8" (M) x 3/8" (F) 90° Swivel Union
6	10104498	Vacuum Header
7	10103736	T-Bolt Hose Clamp For 1" I.D. ( <i>10 Required</i> )
8	10106509	Air Hose 1" I.D. 200 PSI - Red
9	10104500	3/4" NPT x 1-1/2" Toe Nipple ( <i>Five Required</i> )
10	10105287	Din Connector ( <i>Included with Item #11</i> ) ( <i>Five Required</i> )
11	10104666	3/4" Diaphragm Valve with Solenoid ( <i>Five Required</i> )
—	10107192	Pilot Valve Repair Kit
—	10107193	Diaphragm Repair Kit

# PART NUMBERS AND SCHEMATICS

Figure 9: Pulser System Assembly



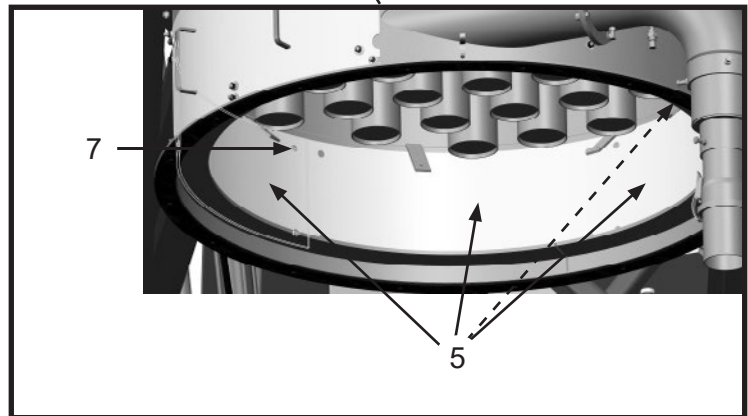
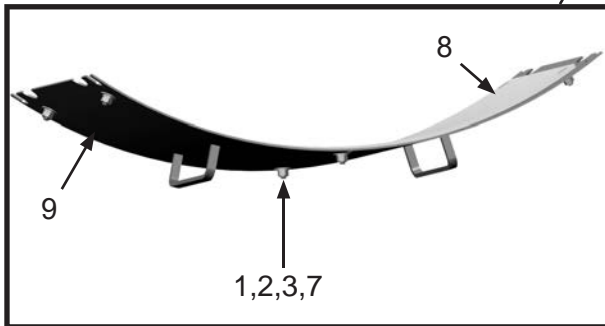
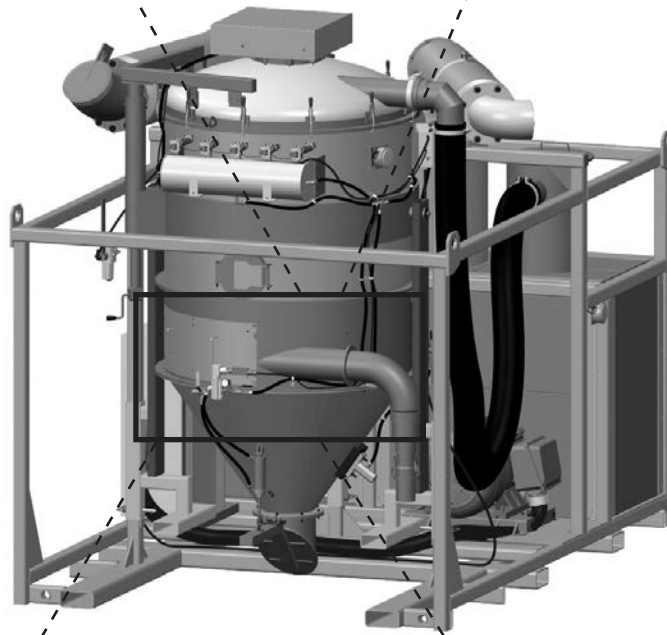
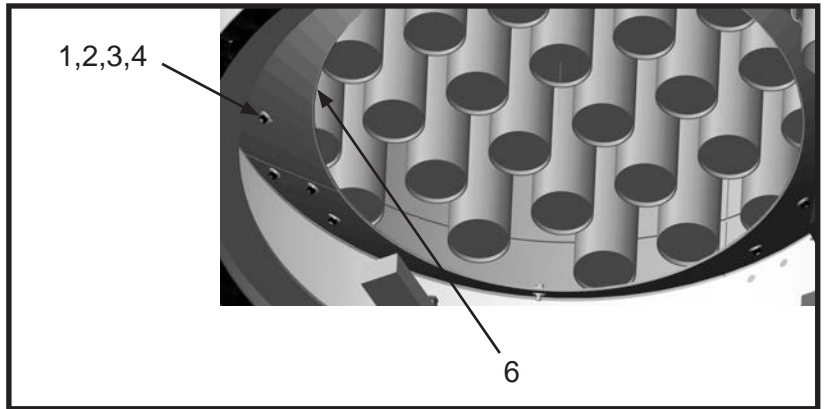
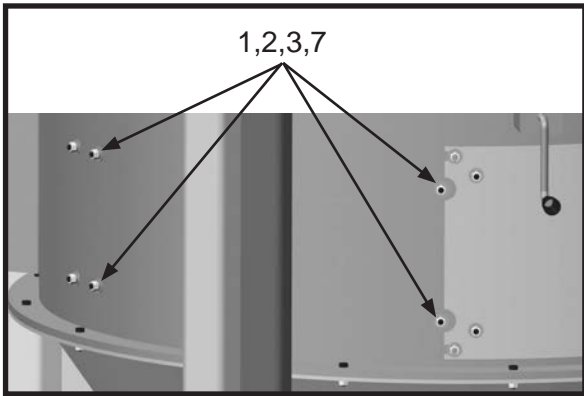
## PART NUMBERS AND SCHEMATICS

### Wear Plates and Baffles

Item #	Part #	Description
<b>Fig. 10</b>		
1	10101942	3/8" Flat Washer - Galvanized (22 Required)
2	10101936	3/8" Lock Washer - Zinc (22 Required)
3	10101938	3/8-16 Hex Nut (22 Required)
4	1011747	3/8-16 x 1" Bolt (22 Required)
5	10104489	Vacuum Wear Plates (Four Required)
6	10104490	Vacuum Baffle (Three Required)
7	10104705	3/8-16 x 1" Bolt Zinc (22 Required)
8	10105189	Wear Door Liner
9	10105190	Wear Door

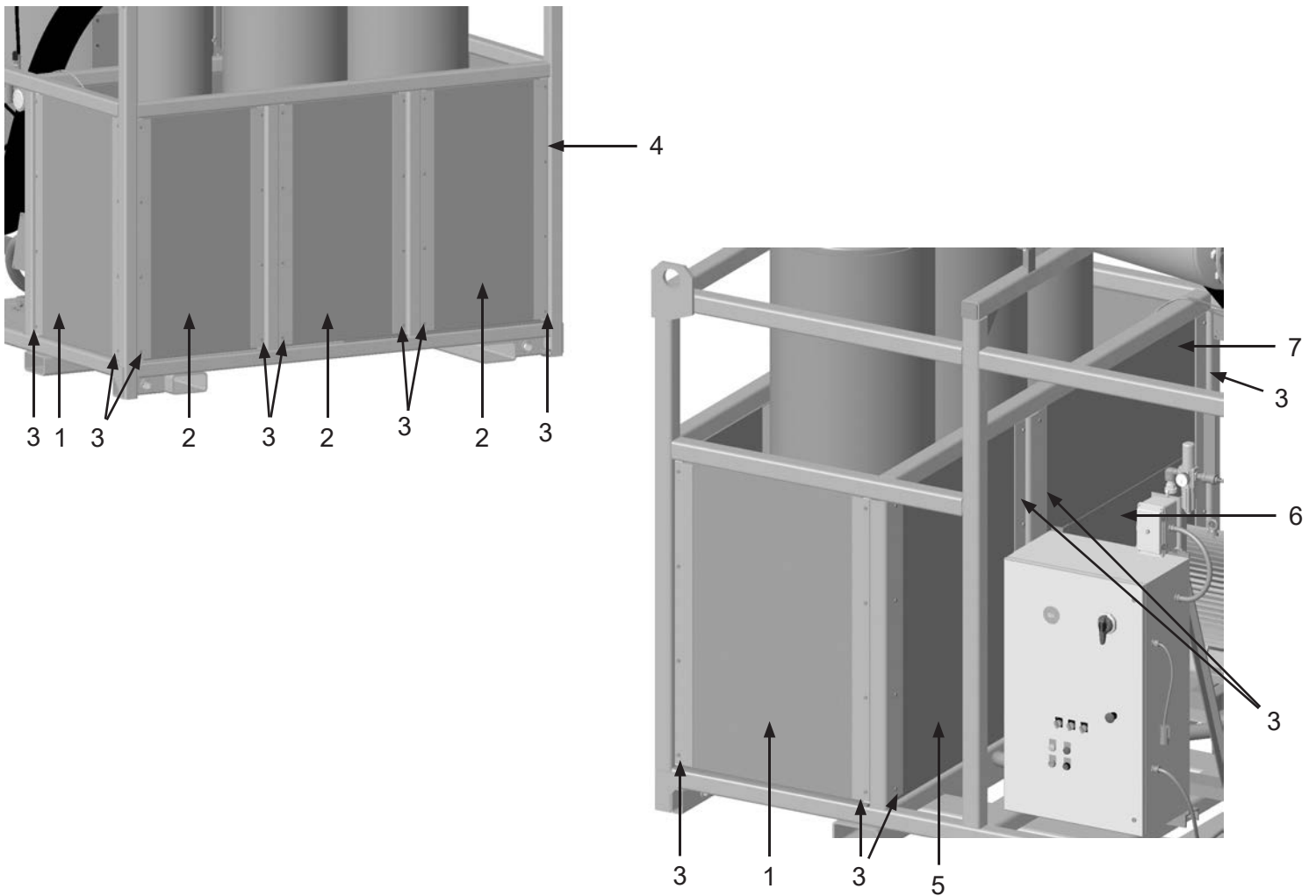
# PART NUMBERS AND SCHEMATICS

Figure 10: Wear Plates and Baffles



## PART NUMBERS AND SCHEMATICS

Figure 11: Sound Panels and Straps

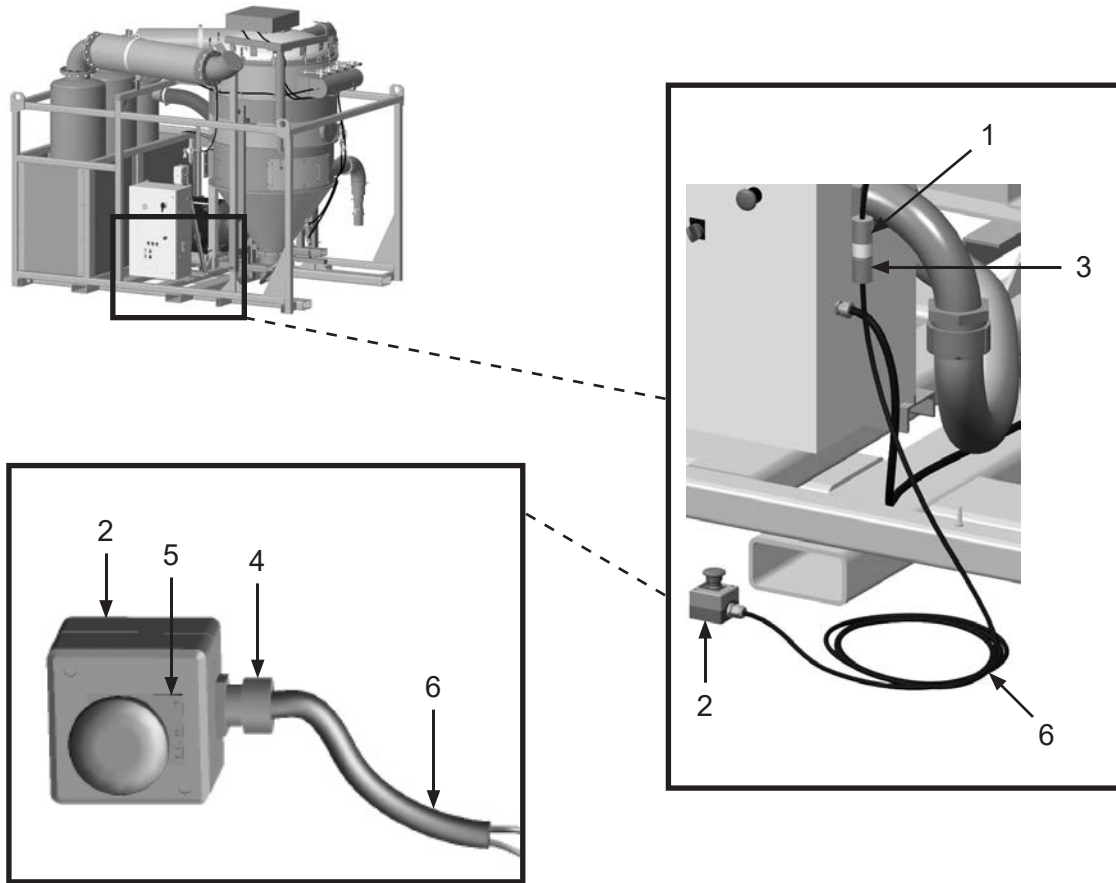


Item #	Part #	Description
<b>Fig. 11</b>		
1	10106301	Sound Panel (Two Required)
2	10106300	Sound Panel (Three Required)
3	10106305	Panel Hold On's (Four Required)
4	10103400	3/8-16 x 3/4" Bolt (72 Required)
5	10106302	Sound Panel 3
6	10106303	Sound Panel 4
7	10106304	Sound Panel 5



## PART NUMBERS AND SCHEMATICS

Figure 12: Emergency-Stop Station



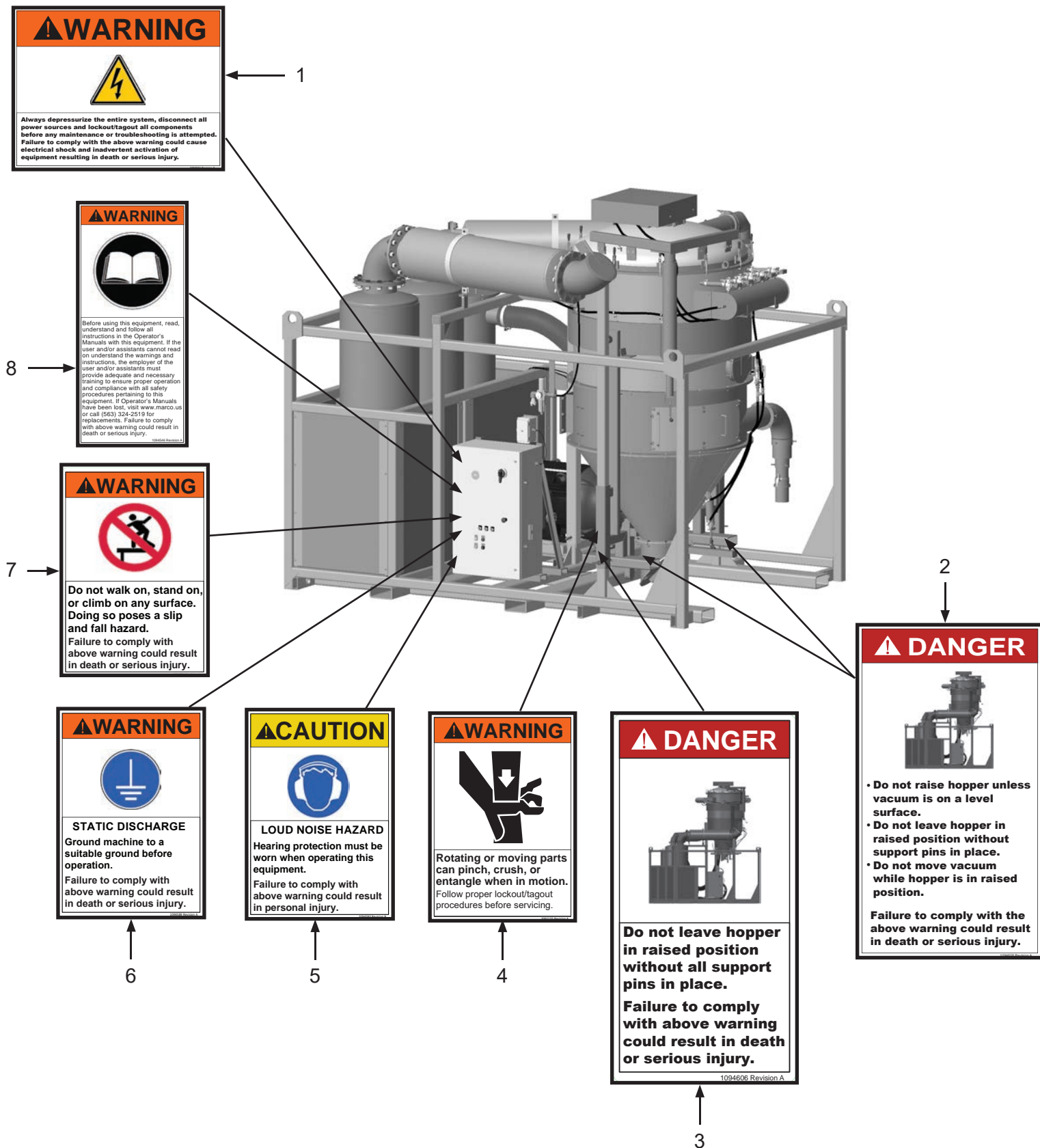
Item #	Part #	Description
--------	--------	-------------

Fig. 12

—	<b>10107200</b>	<b>Remote Emergency-Stop Station</b> <i>(Includes Item #'s: 2, 4, 5, and 6 (100'))</i>
1	1015556	Female Twist Lock Plug Three Prong
2	10104071	E-Stop Control Station
3	1015556	Male Twist Lock Plug Three Prong
4	10104703	Cord Grip, Nylon 1/2"-NPT .2-.47 Diameter
5	10104063	Legend Plate - Emergency Stop
6	1015540	16/2 Xtreme Duty Power Cord - Red
—	1015009	8-32 x 1" Pan Head Phillips Screw <i>(Four Required)</i>
—	20000021	8-32 Zinc Nut <i>(Four Required)</i>
—	20000018	#8 Zinc Lock Washer <i>(Four Required)</i>
—	20000019	#8 Zinc Flat Washer <i>(Four Required)</i>

# PART NUMBERS AND SCHEMATICS

Figure 13: Hazard Identification Decals (cont.)



## PART NUMBERS AND SCHEMATICS

**Figure 13: Hazard Identification Decals (Cont.)**

<b>Item #</b>	<b>Part #</b>	<b>Description</b>
<b>Fig. 13</b>		
1	1094556	Lockout/Tagout Warning Decal
2	1094608	Hopper Danger Decal
3	1094606	Hopper Position Danger Decal
4	1091135	Rotating or Moving Parts Warning Decal
5	1094590	Loud Noise Hazard Warning Decal
6	1094589	Static Discharge Warning Decal
7	1094591	Do Not Climb On Warning Decal
8	1094546	Read Manual Warning Decal

# PART NUMBERS AND SCHEMATICS

Figure 14: Hazard Identification Decals (cont.)

**1** **WARNING**  
Rotating or moving parts can pinch, crush, or entangle when in motion. Follow proper lockout/tagout procedures before servicing.

**2** **WARNING**  
Rotating or moving parts can pinch, crush, or entangle when in motion. Follow proper lockout/tagout procedures before servicing.

**3** **WARNING**  
**POWER LINES**  
Do not raise hopper under electric wires or any obstruction. Failure to comply with above warning could result in death or serious injury.

**4** **CAUTION**  
**SECURE HOSE**  
Vacuum hose may suddenly move causing you to lose balance. Failure to comply with the above warning could result in minor or moderate injury.

**5** **WARNING**  
**HIGH WINDS**  
Do not use in raised position with winds greater than 28 MPH. Failure to comply with above warning could result in death or serious injury.

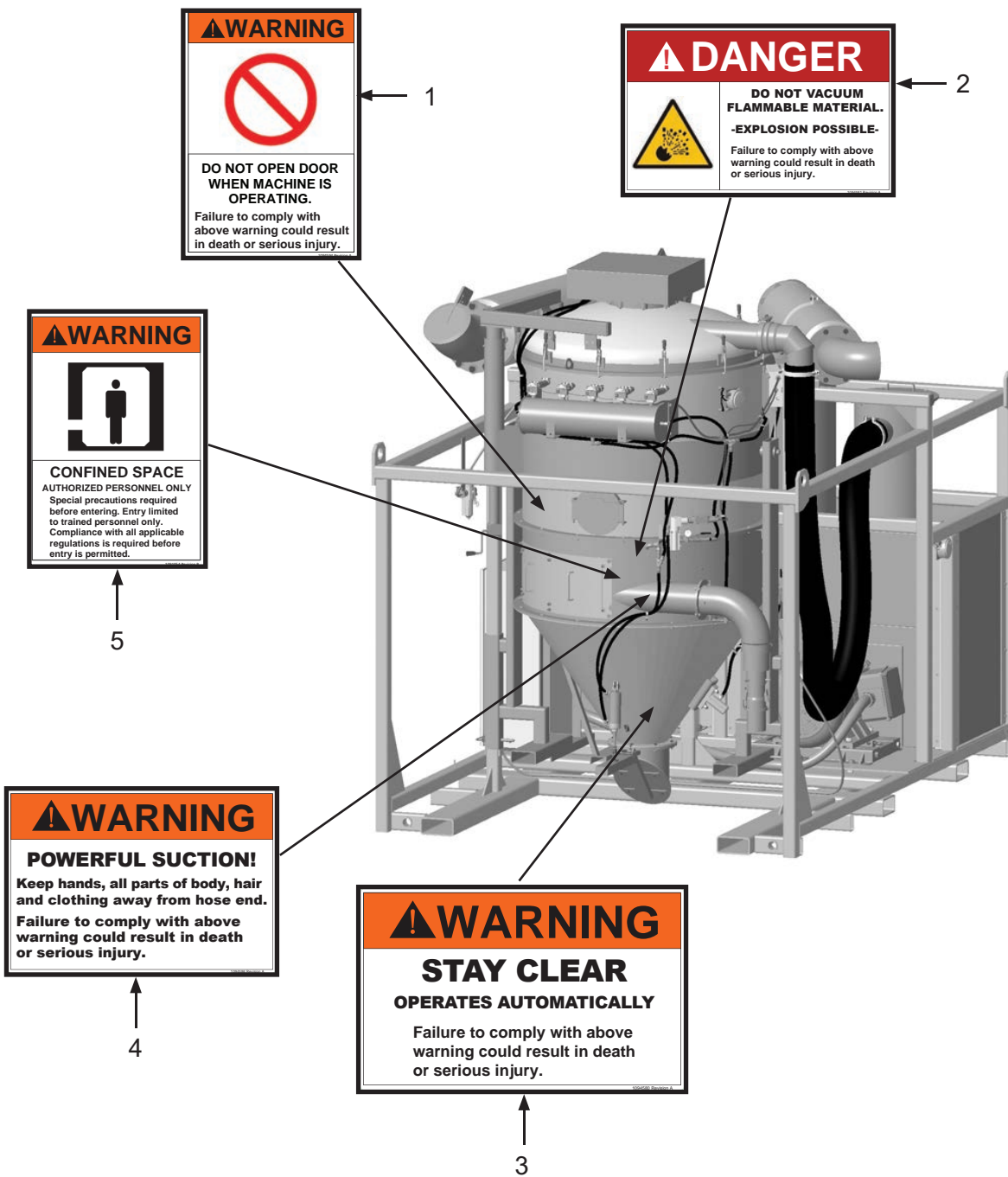
## PART NUMBERS AND SCHEMATICS

Figure 14: Hazard Identification Decals (Cont.)

Item #	Part #	Description
<b>Fig. 14</b>		
1	1091135	Rotating or Moving Parts Warning Decal
2	1094543	Rotating or Moving Parts Warning Decal
3	1094592	Power Line Warning Decal
4	1094596	Secure Hose Caution Decal
5	1094595	High WindsWarning Decal

# PART NUMBERS AND SCHEMATICS

Figure 15: Hazard Identification Decals



Item #	Part #	Description
1	1094594	Do Not Open Door Warning Decal
2	1094581	No Not Vacuum Flammable Material Danger Decal
3	1094580	Stay Clear Warning Decal
4	1094586	Powerful Suction Warning Decal
5	1091054	Confined Space Warning Decal

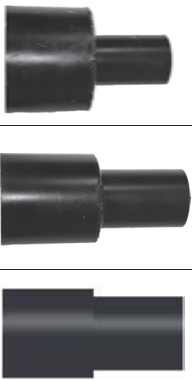
## OPTIONAL ACCESSORIES

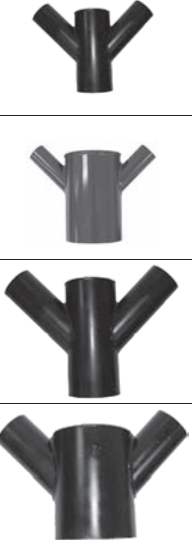



**Part  
Numbers**

VACUUM HOSE							
Part Numbers	Vacuum Hose I.D.	Length	Vacuum HG	Cover Material	Reinforcement Material	Liner	Hose Color
10VH11250	1-1/2"	50 Ft.	29"	Pliovic®	Pliovic® PVC Helix	Polyurethane	Black
10VH225	2"	25 Ft.	29"	Pliovic®	Pliovic® PVC Helix	Polyurethane	Blue
10VH250	2"	50 Ft.	29"	Pliovic®	Pliovic® PVC Helix	Polyurethane	Blue
10VH200	2"	100 Ft.	29"	Pliovic®	Pliovic® PVC Helix	Polyurethane	Blue
10VH2550	2-1/2"	50 Ft.	29"	Pliovic®	Pliovic® PVC Helix	Polyurethane	Blue
10VH325	3"	25 Ft.	29"	Pliovic®	Pliovic® PVC Helix	Polyurethane	Blue
10VH350	3"	50 Ft.	29"	Pliovic®	Pliovic® PVC Helix	Polyurethane	Blue
10VH300	3"	100 Ft.	29"	Pliovic®	Pliovic® PVC Helix	Polyurethane	Blue
10VH425	4"	25 Ft.	29"	Pliovic®	Pliovic® PVC Helix	Polyurethane	Blue
10VH450	4"	50 Ft.	29"	Pliovic®	Pliovic® PVC Helix	Polyurethane	Blue
10VH400	4"	100 Ft.	29"	Pliovic®	Pliovic® PVC Helix	Polyurethane	Blue
10VH525	5"	25 Ft.	29"	Pliovic®	Pliovic® PVC Helix	Polyurethane	Blue
10VH550	5"	50 Ft.	29"	Pliovic®	Pliovic® PVC Helix	Polyurethane	Blue
10VH500	5"	100 Ft.	29"	Pliovic®	Pliovic® PVC Helix	Polyurethane	Blue
10VH625	6"	25 Ft.	25"	Pliovic®	Pliovic® PVC Helix	Polyurethane	Blue
10VH650	6"	50 Ft.	25"	Pliovic®	Pliovic® PVC Helix	Polyurethane	Blue
10VH600	6"	100 Ft.	25"	Pliovic®	Pliovic® PVC Helix	Polyurethane	Blue
10VH825	8"	25 Ft.	25"	Pliovic®	Pliovic® PVC Helix	Polyurethane	Blue
10VH850	8"	50 Ft.	25"	Pliovic®	Pliovic® PVC Helix	Polyurethane	Blue

## OPTIONAL ACCESSORIES




		VACUUM HOSE REDUCERS	
		Part Numbers	Size
	10106712	8" x 4"	
	10106716	6" x 4"	
	10106872	6" x 5"	

		WYE ADAPTERS	
		Part Numbers	Size
	10106719	4" x 2" x 2"	
	10107485	6" x 2" x 2"	
	10106723	6" x 4" x 4"	
	10106727	8" x 4" x 4"	

		VACUUM HOSE MENDERS			
		Part Numbers	Vacuum Hose I.D.	Mender Length	Thickness
	10HM2	2"	8"	1/8"	Steel
	10HM3	3"	9"	1/8"	Steel
	10HM4	4"	10"	1/8"	Steel
	10HM5	5"	11"	1/8"	Steel
	10HM6	6"	12"	1/8"	Steel
	10HM8	8"	14"	1/8"	Steel



## OPTIONAL ACCESSORIES

	<b>Part Numbers</b>	<b>VACUUM HOSE INSERTS</b>
		Size
	10104831	4"
	10104828	5"
	10104825	6"

## LITERATURE REFERENCES

### Vacmaster® 15T Electric Abrasive Vacuums

106M156	Part Numbers & Schematics Guide – Vacmaster® 15T Electric Abrasive Vacuums
1090156	Operator's Manual – Vacmaster® 15T Electric Abrasive Vacuums
109V521	Operator's Manual - Blower
109V563	Operator's Manual – WEG Electric Motor Manual





## CONTACT CENTER

- 3425 East Locust Street  
Davenport, IA 52803

ph: 800.BLAST.IT (800.252.7848)  
ph: 563.324.2519  
fax: 563.324.6258

## REGIONAL BRANCH OFFICES

- **Iowa**  
Davenport
- **Louisiana**  
Gonzales  
Lafayette
- **Ohio**  
Youngstown
- **Texas**  
Beaumont  
Corpus Christi  
Deer Park



ABRASIVES  
BLASTING  
COATING  
DUST COLLECTION  
RENTAL & SERVICE  
SAFETY  
VACUUMS

## 40+ NATIONWIDE SHIPPING LOCATIONS



★ Marco Regional Branch Offices and Shipping Locations      ● Direct Shipping Locations

## CONTACT MARCO

800.BLAST.IT  
(800.252.7848)  
563.324.2519  
FAX: 563.324.6258

WWW.MARCO.US  
SALES@MARCO.US