



SCHMIDT® MV2® VALVE



PART NUMBERS AND SCHEMATICS GUIDE

Company Profile

Allredi was formed in the early 2020, when two of the largest distributors in the blasting, coating, safety, and environmental industry, APE Companies and Marco Group International, joined forces. While the qualities both companies are known for have not changed, a lot about our business is new. New abilities. New agilities. New ways to help you win. This calls for a new name, Allredi.

This name exemplifies what we have become. It is completely oriented to the needs of our customers. To your needs. It says that when you call us for anything – products, service, expert advice, anything – you can consider it done. Or even better, Allredi done.

We are your right-now supplier. From skills to SKUs, we deliver the goods fast. So you can be more agile every minute, every day. This is who we are. This is what our new name means. Go ahead and expect excellence, because we're bringing it.

The Allredi Difference

- **Industry Experience** – With Allredi on your team, you have access to expertise which can only come from decades of industry leadership. We have organized our engineering department, production specialists, customer operations, and safety support into a "Center of Competence." As an Allredi customer, you have access to hundreds of years of cumulative experience related to your operations.
- **Manufacturing Excellence** – Allredi is a U.S. based manufacturer of equipment for the Surface Preparation and Protective Coatings industries. Allredi's engineers benchmark the industry to ensure that we design and manufacture superior products that set the "Gold Standard" for performance, safety, and quality.
- **Legendary Customer Service** – Allredi's legendary customer service team is staffed by friendly, highly-trained individuals who are focused on providing the highest level of product support, order accuracy, and customer satisfaction.
- **Product Availability** – We stock over 10,000 SKU's and have over 45 shipping locations to serve North American and International markets for all major brands of blasting, coating, environmental, and safety equipment. Allredi is your right-now supplier, so you can keep your projects moving. From our foundation of strong relationships, we have built a nationwide network that puts vast inventory and ready service close to our customers. We provide advanced expertise, and we deliver the goods fast – so you can easily access the products and services you need to me more agile every minute, every day.
- **Technology Leadership** – Our website provides: Operator's Manuals, Part Numbers and Schematics Guides, SDS information, and key product features and specifications, providing access to information 24/7.

TABLE OF CONTENTS

Company Profile	2
Table of Contents	3
Schmidt® MV2 Valve®	4-7
Part Numbers	4-5
Part Numbers & Schematics	6-7

PART NUMBERS & SCHEMATICS GUIDE

Part Numbers	SCHMIDT® MV2 VALVE®	
	Base Size	Sleeve Material
10S2127107	1-1/4"	Urethane
10S2127108	1-1/2"	Urethane

PART NUMBERS & SCHEMATICS GUIDE



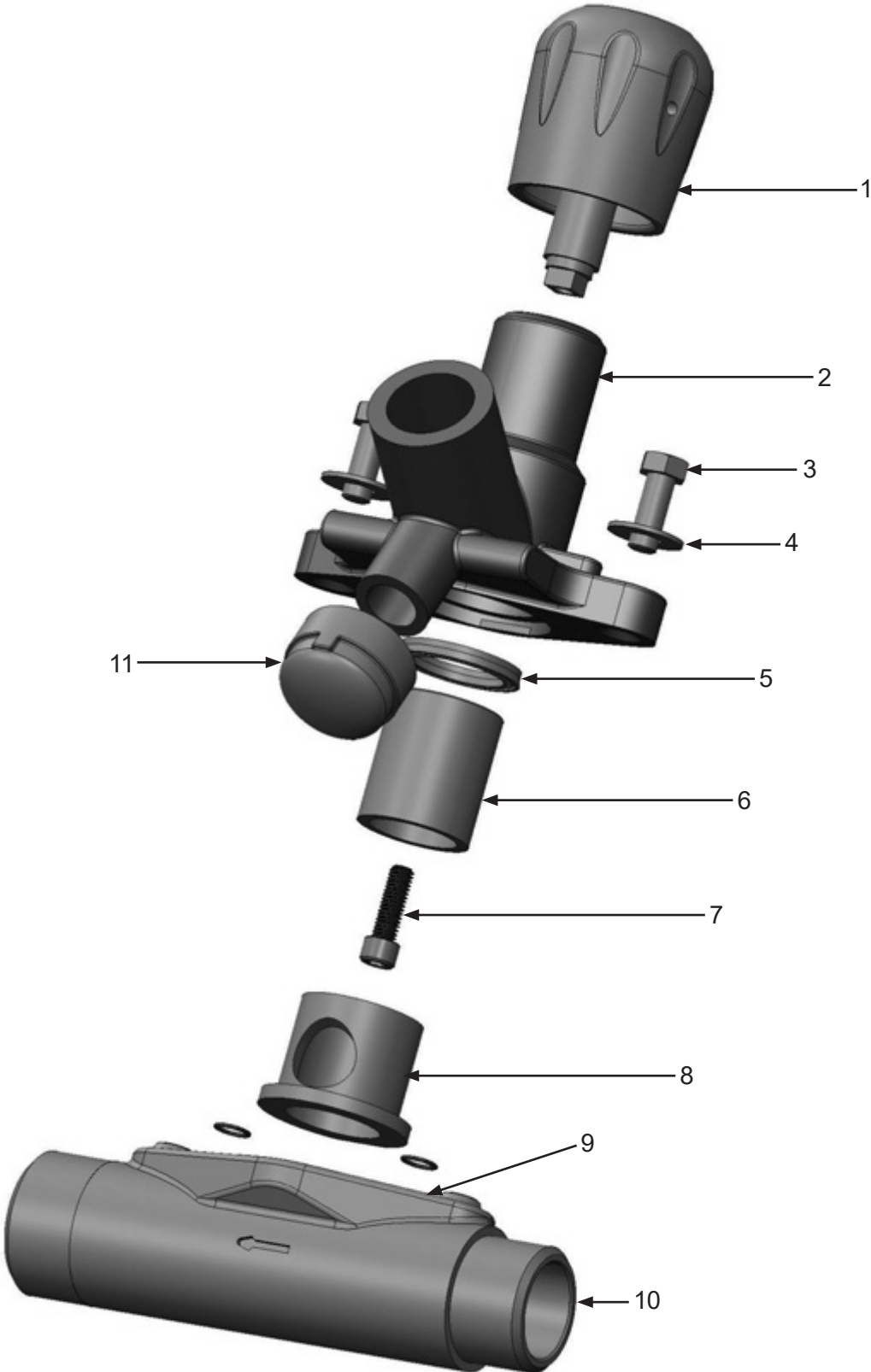
PART NUMBERS & SCHEMATICS GUIDE

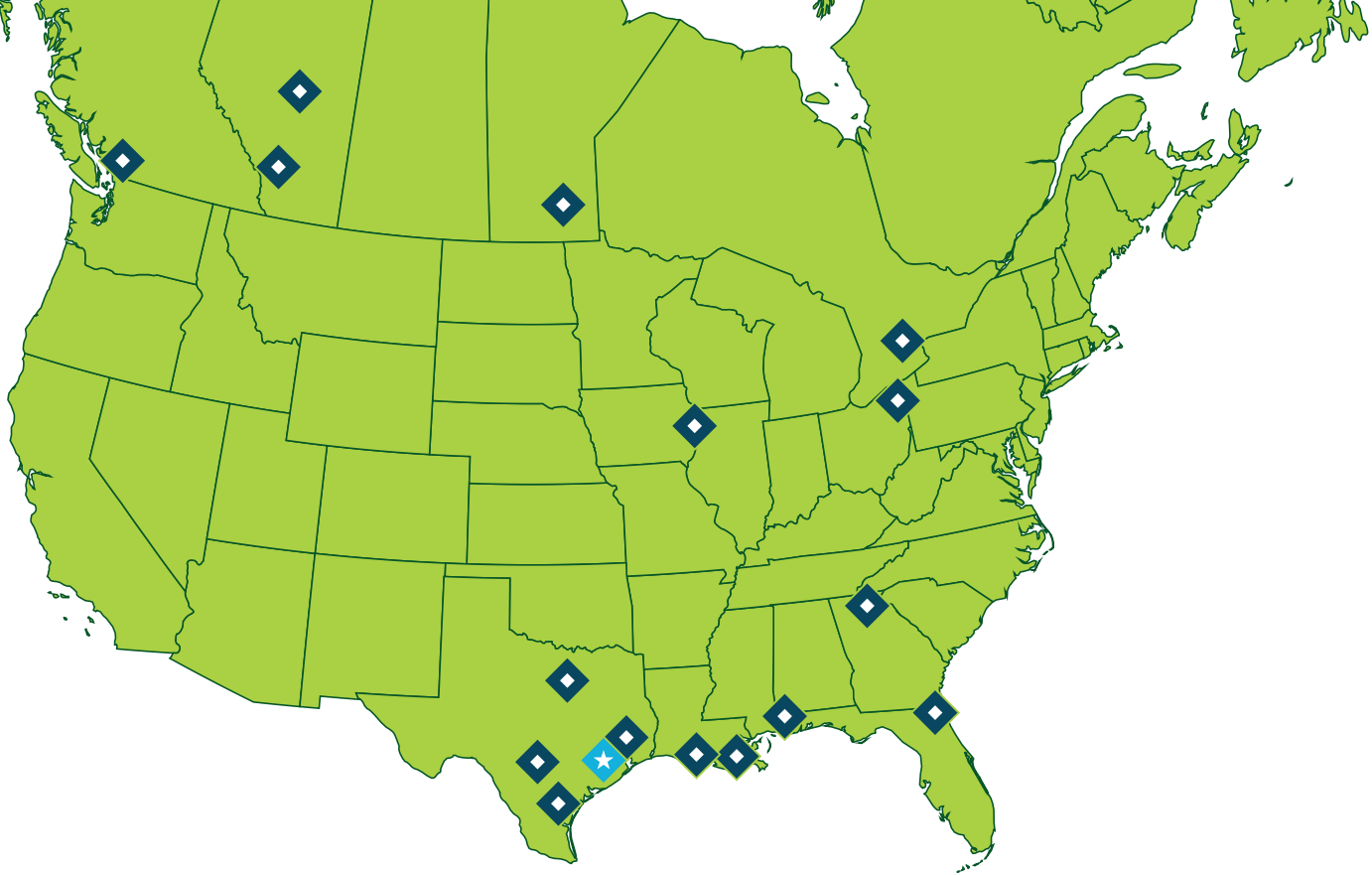
Schmidt® MV2 Valve®

Item #	Part #	Description
Fig. 1		
1	10S212700001	Knob
2	10S212700006	Body
3	10S701050706	3/8" x 1" Hex Bolt
4	1014241	3/8" Flat Washer
5	10S214950006	Plunger Seal
6	10S212700005	Plunger
7	10S701100506	5/16" x 1" Self Sealing Socket Head Cap Screw
8	10S212710008	Polyurethane Sleeve
9	10S212700015	Gasket
10	10S212700710	1-1/4" Base
	10S212700810	1-1/2" Base
11	10S3037105	3/4" Galvanized Pipe Cap
—	10S212710099	Replacement Parts Kit <i>Includes Item #'s: 5, 6, 7, 8, 9, and Ball</i>
—	10S212710098	Replacement Seals Kit <i>Includes Item #'s: 5, 8, 9, and Ball</i>
—	10S212700012	Ball
—	10S212700013	Orifice Indicator Decal
—	106M531	Part Numbers and Schematics Guide – Schmidt® MV2 Valve®
—	109V531	Operator's Manual – Schmidt® MV2 Valve®

PART NUMBERS & SCHEMATICS GUIDE

Figure 1: Schmidt® MV2 Valve®





ALLREDI THERE

Serving these industries: Bridge, Pipeline, Tank & Tower, Concrete Services, Rail, Shipyard & Marine, Pools & Fountains and Foundry

UNITED STATES

Pasadena, TX (*Headquarters*)

844.361.7038

Beaumont, TX

409.722.1284

Bristol, PA

215.826.8080

Corpus Christi, TX

361.887.2038

Davenport, IA

563.324.2519

Deer Park, TX

(*Service & Rental Location*)

281.930.0905

Duluth, GA

800.535.4564

Gonzales, LA

(*Service & Rental Location*)

225.647.7575

Harvey, LA

504.367.8090

Houma, LA

985.580.4273

Jacksonville, FL

800.535.4564

Lafayette, LA

337.267.1440

Theodore, AL

251.338.7525

Youngstown, OH

330.448.6267

CANADA

Calgary, Alberta

403.279.1924

Coquitlam, BC

604.464.6979

Edmonton, Alberta

780.468.2588 (Manus)

780.425.5510 (Mod-U-Blast)

Hamilton, Ontario

905.527.6000 / 888.794.5665

Mississauga, Ontario

905.890.5837

Winnipeg, Manitoba

204.256.3324

800-252-7848 / WWW.ALLREDI-US.COM

Allredi® is a registered trademark of Allredi, LLC. All other brand names or marks are used for identification purposes and are trademarks of their respective owners.

ALLREDI™

Literature #106M531_12/14/2020