



BAABS

Blasting Accessories & Assist Bracket System

A product of Axxiom Manufacturing, Inc.

Challenges with gripping the hose and conventional deadman which are rigidly mounted onto the blast hose forces the blaster into less-than-ideal body and arm positions which are difficult to sustain. This quickly causes operator fatigue resulting in reduced blasting productivity and safety issues. With this in mind, BAABS (Blasting Accessories and Assist Bracket System) was originally conceptualized to address these widely accepted limitations by directing most of the blast nozzle thrust onto the Thrust Management Brace Assembly which can be placed onto the chest or other parts of the body capable of absorbing this thrust for longer durations. Less muscle and strength demand results in significant reduction of fatigue. Clenched grips, hand cramps, and arm fatigue are drastically reduced due to the more ergonomic benefits, which enable more comfortable control of the blast nozzle.



BAABS Short Rail Assembly w/ Electric G3 Trigger Deadman

BAABS provides blasters with an easier grip and can be quickly configured for left- or right-hand operations as well as multiple positions to accommodate different positions. As a result, blasters can easily manage larger blast nozzles. The improved overall comfort will enhance blaster safety and increase productivity by promoting more blast nozzle on time per shift.

BAABS comes in two sizes. The short rail system to allow for movement in tighter spaces or the longer base option intended for larger surfaces.

SAFETY

- System includes the Trigger G3 deadman which is based on the Schmidt G2 deadman to provide time-proven safety and reliability
- Safety tab prevents inadvertent trigger activation until actuated with thumb
- Trigger guard provides additional protection
- Redundant self-locking latch ensures the base stays secure around blast hose
- Thrust management, low trigger pull, and other benefits combine to promote safer behavior by introducing holistic comfort to the blaster
- Clamshell base keeps the blast hose straight and prevents hose from wearing and failing near the operator.

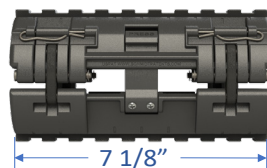
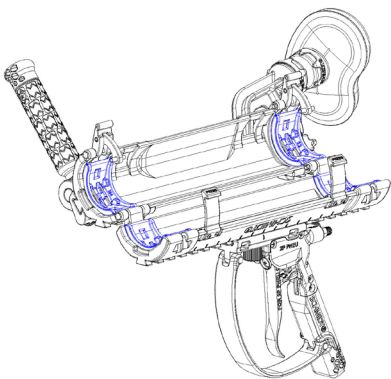


BAABS Long Rail Assembly w/ Pneumatic G3 Trigger Deadman

FEATURES

- G3 Trigger Deadman Controls - Electric or Pneumatic
- Thrust Management Brace Assembly
- BAABS Side Grip
- Long or Short BAABS Base

800-231-2085
AxxiomMfg.com



SHORT BAABS



LONG BAABS

Exchangeable Blast Hose Grippers fits most brands of blast hoses on the market

360° view of BAABS



BAABS Assembly



Blasting Demonstration



800-231-2085
AxxiomMfg.com



A CLOSER LOOK

A detailed look at BAABS add-ons and options

A product of Axiom Manufacturing, Inc.



G3 TRIGGER-STYLE DEADMAN CONTROLS

The new Schmidt® brand pneumatic and electric G3 Trigger-style Deadman controls combine time-tested concepts and components with unprecedented comfort to provide blasters with the most dependable deadman in the industry. With real-world abrasive airblast applications in mind, these deadman controls are designed to have all the features and benefits blasters look for. The G3 Trigger-style Deadman are easy and comfortable to use, provide fast response, easy to configure, are simple to maintain and optimize operator safety.

THRUST MANAGEMENT BRACE SYSTEM ASSEMBLY AND SIDE GRIP

The BAABS is designed to direct most of the blast nozzle thrust onto the Thrust Pad which will typically be placed onto the chest. This places the strength demand directly onto the torso, resulting in less muscle exertion by not requiring the arms to directly or indirectly manage all of the thrust. This greatly reduces operator fatigue. Clenched grips (hand cramps) and arm fatigue are eliminated due to the easier grip design which allows for a more comfortable grip and control of the blast hose. The Grip Bar and Thrust Pad can be quickly configured for left or right-hand operations and multiple positions to accommodate different blast positions

HOSE GRIPPERS

Both Short and Long BAABS rail systems come with Blast Hose Grippers. Each side of the rail base houses two grippers that effectively grip the exterior surface of the blast hose to prevent sliding but allow rotation and swivel. Each Blast Hose Gripper is offered in different sizes to allow the base to be configured for various blast hose sizes (3/4" - 1 1/2"). Grippers simply snap into the inside of the BAABS rail and are simple and quick to remove.

Contact your local Schmidt distributor or call Axiom at 800-231-2085 for distributor information.

800-231-2085
AXXIOMMFG.COM

Axiom Manufacturing, Inc. is the manufacturer of Schmidt products. Certain products manufactured by Axiom are protected by patents and pending applications in the United States and globally. Unless specified otherwise, all trademarks are the exclusive property of Axiom Manufacturing, Inc. © 2021. All rights reserved.

2022/12



Side Grip



Thrust Management Brace Assembly

Can be configured for left or right-handed blasting

Blast Hose Gripper

