



# CLEMCO® HOLLO-BLAST INTERNAL PIPE BLAST TOOL



**PART NUMBERS AND SCHEMATICS GUIDE**

## Company Profile

Allredi was formed in the early 2020, when two of the largest distributors in the blasting, coating, safety, and environmental industry, APE Companies and Marco Group International, joined forces. While the qualities both companies are known for have not changed, a lot about our business is new. New abilities. New agilities. New ways to help you win. This calls for a new name, Allredi.

This name exemplifies what we have become. It is completely oriented to the needs of our customers. To your needs. It says that when you call us for anything – products, service, expert advice, anything – you can consider it done. Or even better, Allredi done.

We are your right-now supplier. From skills to SKUs, we deliver the goods fast. So you can be more agile every minute, every day. This is who we are. This is what our new name means. Go ahead and expect excellence, because we're bringing it.

## Our Mission and Vision

To be the industry's preferred partner in surface preparation solutions through unrivaled technical expertise, customer experience, product availability, and tailored service offerings.

## The Allredi Difference

- **Industry Experience** – With Allredi on your team, you have access to expertise which can only come from decades of industry leadership. We have organized our engineering department, production specialists, customer operations, and safety support into a "Center of Competence." As an Allredi customer, you have access to hundreds of years of cumulative experience related to your operations.
- **Manufacturing Excellence** – Allredi is a U.S. based manufacturer of equipment for the Surface Preparation and Protective Coatings industries. Allredi's engineers benchmark the industry to ensure that we design and manufacture superior products that set the "Gold Standard" for performance, safety, and quality.
- **Legendary Customer Service** – Allredi's legendary customer service team is staffed by friendly, highly-trained individuals who are focused on providing the highest level of product support, order accuracy, and customer satisfaction.
- **Product Availability** – We stock over 10,000 SKU's and have over 45 shipping locations to serve North American and International markets for all major brands of blasting, coating, environmental, and safety equipment. Allredi is your right-now supplier, so you can keep your projects moving. From our foundation of strong relationships, we have built a nationwide network that puts vast inventory and ready service close to our customers. We provide advanced expertise, and we deliver the goods fast – so you can easily access the products and services you need to me more agile every minute, every day.
- **Technology Leadership** – Our website provides: Operator's Manuals, Part Numbers and Schematics Guides, SDS information, and key product features and specifications, providing access to information 24/7.

# TABLE OF CONTENTS

<b>Table of Contents</b> .....	<b>3</b>
<b>Clemco® Hollo-Blast Internal Pipe Blast Tool</b> .....	<b>4-9</b>
Clemco® Hollo-Blast Internal Pipe Blast Tool Part Numbers .....	4
Centering Carriage Part Numbers .....	5
Part Numbers & Schematics .....	6-9
Clemco® Hollo-Blast Internal Pipe Blast Tool .	6-7
Collar & Button Centering Carriage Device . . . .	8
Adjustable Carriage Centering Device .....	9
<b>Maintenance Notes</b> .....	<b>10-11</b>

# PART NUMBERS



## CLEMCO® HOLLO-BLAST INTERNAL PIPE BLAST TOOLS\*

<b>Part Numbers</b>	<b>For use in Pipe I.D.</b>	<b>Deflection Tip and Sleeve</b>	<b>Nozzle Size</b>
10C01077	2" – 12"	Tungsten Carbide	Nozzle Sold Separately
10C01076	2" – 12"	Tungsten Carbide	#8 (1/2")
10C08446	2" – 12"	Tungsten Carbide	#10 (5/8")
10C21191	2" – 12"	Boron Carbide	Nozzle Sold Separately
10C21190	2" – 12"	Boron Carbide	#8 (1/2")

\*Centering Carriages not included



# PART NUMBERS

<b>CLEMCO® HOLLO-BLAST INTERNAL PIPE BLAST TOOL CENTERING CARRIAGES</b>			
	<b>Part Numbers</b>	<b>For use in Pipe I.D.</b>	<b>Style</b>
	10C01124	3" – 5"	Collars (2) and Buttons (8)
	10C01131	5" – 12"	Adjustable

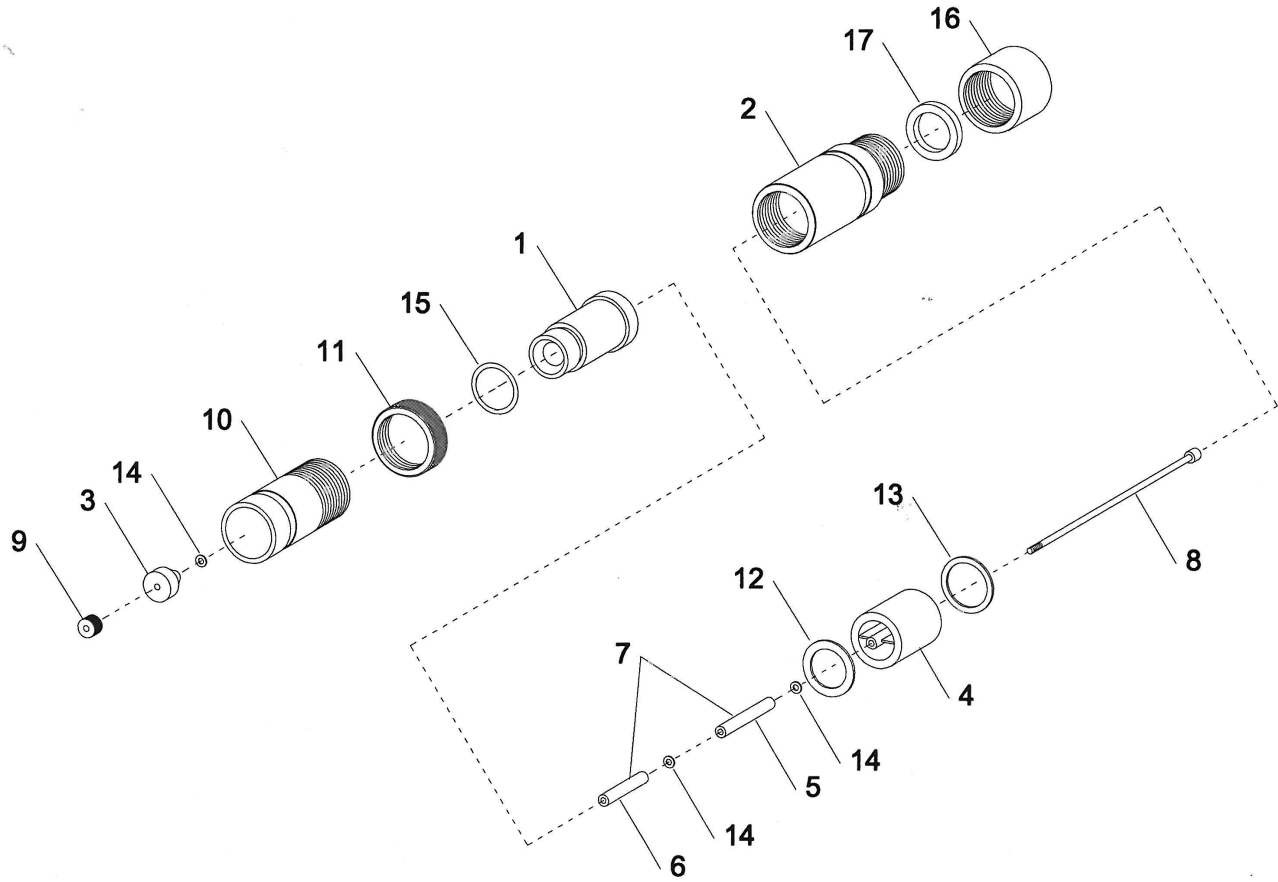
## PART NUMBERS & SCHEMATICS

### Clemco® Hollo-Blast Internal Pipe Blast Tool

Item#	Part#	Description
<b>Fig. 1</b>		
1a	10C01406	#8 (1/2") Hollo-Blast Nozzle
1b	10C01407	#10 (5/8") Hollo-Blast Nozzle
2	10C01079	Tool Holder
3a	10C01078	Tungsten Carbide Deflection Tip ( <i>Standard</i> )
3b	10C20968	Boron Carbide Deflection Tip ( <i>For 40 Grit and Finer Abrasive</i> )
3c	10C25077	Composite Deflection Tip ( <i>For 36 Grit and Coarser Abrasive</i> )
4	10C01080	Stem Support Assembly <i>Includes Item #8</i>
5	10C01084	Long Tungsten Throat Sleeve
6	10C01085	Short Tungsten Stem Extension Sleeve
7	10C20969	Boron Throat Sleeve, One Size ( <i>Alternative to #5 and #6; Two Required</i> )
8	10C01086	Throat Rod
9	10C01089	Tip Holding Nut
10	10C01090	Tip Protection Sleeve
11	10C01092	Knurled Lock Nut
12	10C01093	Front Stem Support Gasket, Wide
13	10C01094	Rear Stem Support Gasket, Narrow
14	10C01096	Brass Washer ( <i>Three Required</i> )
15	10C01097	1-1/8" Nominal I.D. O-Ring
16	10C01095	Rear Coupling
17	10NW	Nozzle Washer ( <i>One Included. 10 Per Replacement Package</i> )
—	06158	Operator's Manual – Clemco® Hollo-Blast Internal Pipe Blast Tool
—	106M354	Part Numbers & Schematics Guide – Clemco® Hollo-Blast Internal Pipe Blast Tool

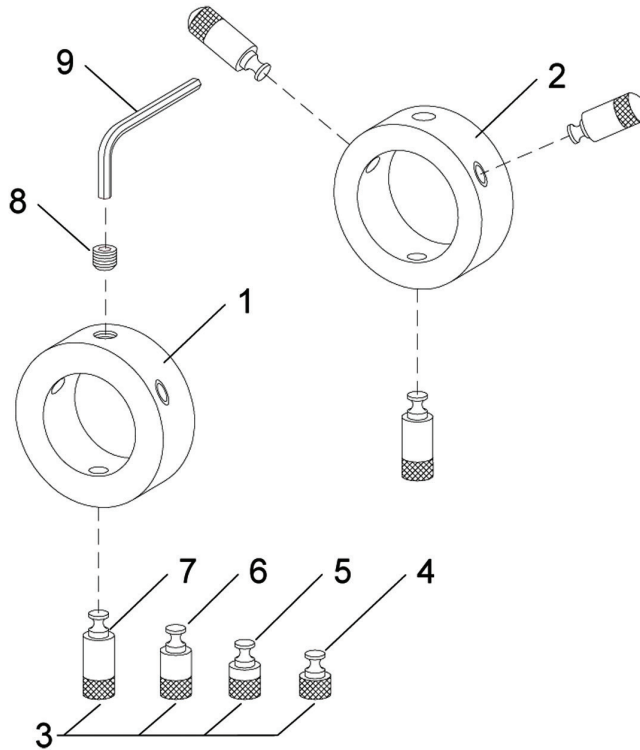
# PART NUMBERS & SCHEMATICS

Figure 1: Clemco® Hollo-Blast Internal Pipe Blast Tool



## PART NUMBERS & SCHEMATICS

**Figure 2: Clemco® Hollo-Blast Internal Pipe Blast Collar and Button Centering Device**

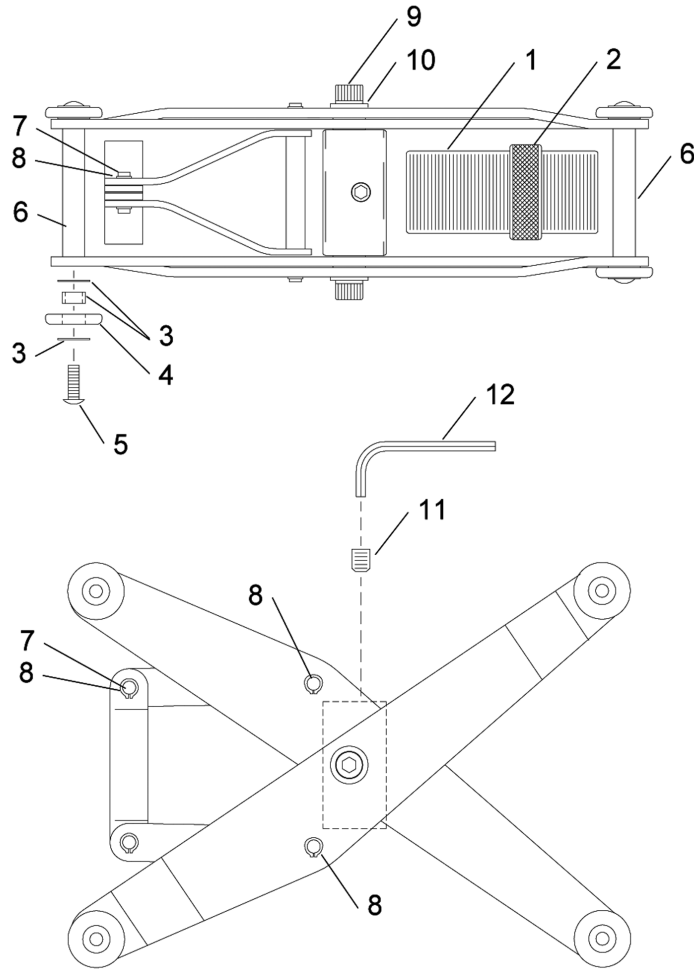


Item #	Part #	Description
<b>Fig. 2</b>		
—	<b>10C01124</b>	<b>Collar and Button Centering Device for 3"–5" I.D. Pipe – Complete</b>
1	10C01125	1-11/16" Nominal I.D. Front Collar
2	10C01126	1-7/8" Nominal I.D. Rear Collar
3	10C01158	Button Set <i>Includes Item #'s: 4, 5, 6, and 7</i>
4	10C01154	5/16" Buttons for 3-1/2" I.D. Pipe ( <i>Set of Six</i> )
5	10C01155	9/16" Buttons for 4" I.D. Pipe ( <i>Set of Six</i> )
6	10C01156	13/16" Buttons for 4-1/2" I.D. Pipe ( <i>Set of Six</i> )
7	10C01157	1-1/6" Buttons for 5" I.D. Pipe ( <i>Set of Six</i> )
8	10C03272	3/8-NC Cup Point Set Screw
—	06158	Operator's Manual – Clemco® Hollo-Blast Internal Pipe Blast Tool
—	106M354	Part Numbers & Schematics Guide – Clemco® Hollo-Blast Internal Pipe Blast Tool



## PART NUMBERS & SCHEMATICS

**Figure 3: Clemco® Hollo-Blast Internal Pipe Blast Adjustable Carriage Centering Device**



Item #	Part #	Description
<b>Fig. 3</b>		
—	<b>10C01131</b>	<b>Adjustable Carriage Centering Device for 5"–12" I.D. Pipe - Complete</b>
1	10C01091	Threaded Tip Protection Sleeve
2	10C01092	Knurled Lock-Nut
3	10C01133	Wheel Bushing With Two Washers
4	10C01153	Steel Wheel
5	10C03124	1/4-NC Button Head Screw
6	10C01166	Axle Spacer
7	10C01142	1-1/8" Arm Pin
8	10C01143	Retaining Ring
9	10C03319	3/8-NC x 3/4" Socket Head Screw
10	10C03317	3/8 Flat Washer
11	10C03272	3/8-NC Cup Point Screw
12	10C01139	3/16" Hex Key
—	06158	Operator's Manual – Clemco® Hollo-Blast Internal Pipe Blast Tool
—	106M354	Part Numbers & Schematics Guide – Clemco® Hollo-Blast Internal Pipe Blast Tool







## ALLREDI THERE

Serving these industries: Bridge, Pipeline, Tank & Tower, Concrete Services, Rail, Shipyard & Marine, Pools & Fountains and Foundry

### UNITED STATES

#### Pasadena, TX (Headquarters)

844.361.7038

#### Beaumont, TX

409.722.1284

#### Bristol, PA

215.826.8080

#### Corpus Christi, TX

361.887.2038

#### Davenport, IA

563.324.2519

#### Deer Park, TX

(Service & Rental Location)

281.930.0905

#### Duluth, GA

800.535.4564

#### Gonzales, LA

225.647.7575

#### Harvey, LA

504.367.8090

#### Houma, LA

985.580.4273

#### Jacksonville, FL

904.262.2120

#### Lafayette, LA

337.267.1440

#### Theodore, AL

251.338.7525

#### Youngstown, OH

330.448.6267

### CANADA

#### Calgary, Alberta

403.279.1924

#### Coquitlam, BC

604.464.6979

#### Edmonton, Alberta

780.468.2588 (Manus)

780.425.5510 (Mod-U-Blast)

#### Hamilton, Ontario

905.527.6000 / 888.794.5665

#### Mississauga, Ontario

905.890.5837

#### Winnipeg, Manitoba

204.256.3324

**800-252-7848 / WWW.ALLREDI-US.COM**

Allredi™ and Marco® are registered trademarks of Allredi, LLC.

All other brand names or marks are used for identification purposes and are trademarks of their respective owners.

**ALLREDI**™

Literature #106M354\_8/26/22