



BINKS® 2100 SPRAY GUN



PART NUMBERS AND SCHEMATICS GUIDE

Company Profile

Allredi was formed in the early 2020, when two of the largest distributors in the blasting, coating, safety, and environmental industry, APE Companies and Marco Group International, joined forces. While the qualities both companies are known for have not changed, a lot about our business is new. New abilities. New agilities. New ways to help you win. This calls for a new name, Allredi.

This name exemplifies what we have become. It is completely oriented to the needs of our customers. To your needs. It says that when you call us for anything – products, service, expert advice, anything – you can consider it done. Or even better, Allredi done.

We are your right-now supplier. From skills to SKUs, we deliver the goods fast. So you can be more agile every minute, every day. This is who we are. This is what our new name means. Go ahead and expect excellence, because we're bringing it.

Our Mission and Vision

To be the industry's preferred partner in surface preparation solutions through unrivaled technical expertise, customer experience, product availability, and tailored service offerings.

The Allredi Difference

- **Industry Experience** – With Allredi on your team, you have access to expertise which can only come from decades of industry leadership. We have organized our engineering department, production specialists, customer operations, and safety support into a "Center of Competence." As an Allredi customer, you have access to hundreds of years of cumulative experience related to your operations.
- **Manufacturing Excellence** – Allredi is a U.S. based manufacturer of equipment for the Surface Preparation and Protective Coatings industries. Allredi's engineers benchmark the industry to ensure that we design and manufacture superior products that set the "Gold Standard" for performance, safety, and quality.
- **Legendary Customer Service** – Allredi's legendary customer service team is staffed by friendly, highly-trained individuals who are focused on providing the highest level of product support, order accuracy, and customer satisfaction.
- **Product Availability** – We stock over 10,000 SKU's and have over 45 shipping locations to serve North American and International markets for all major brands of blasting, coating, environmental, and safety equipment. Allredi is your right-now supplier, so you can keep your projects moving. From our foundation of strong relationships, we have built a nationwide network that puts vast inventory and ready service close to our customers. We provide advanced expertise, and we deliver the goods fast – so you can easily access the products and services you need to me more agile every minute, every day.
- **Technology Leadership** – Our website provides: Operator's Manuals, Part Numbers and Schematics Guides, SDS information, and key product features and specifications, providing access to information 24/7.

TABLE OF CONTENTS

Company Profile	2
Table of Contents	3
Binks® 2100 Airless Spray Gun	4-9
Binks® 2100 Gun Part Numbers	4-5
Fluid Tips and Needles	6
Air Caps Part Numbers	7
Retaining Ring	7
Binks® 2100 Part Numbers and Schematics	8-9
Maintenance Notes	10-11

PART NUMBERS AND SCHEMATICS GUIDE

Part Numbers	BINKS® 2100 SPRAY GUN		
	Air Cap	Fluid Tip	Type
20BK210143212	21MD-2	66SS	Pressure
20BK210128213	21MD-3	63BSS	Pressure
20BK210143211	21MD-3	66SS	Siphon
20BK210128007	63PB	63BSS	Pressure
20BK210143075	66S	66SS	Siphon
20BK210143079	66SD	66SS	Siphon
20BK210128082	66SD-3	63BSS	Pressure
20BK210143082	66SD-3	66SS	Pressure
20BK210143088	66SK	66SS	Siphon
20BK210149095	67PB	67VT	Pressure
20BK210143149	200	66SS	Pressure
20BK210180000	—	59ASS	Pressure
20BK210182000	—	59CSS	Pressure
20BK210128000	—	63BSS	Pressure
20BK210128213	—	63BSS	Pressure
20BK210131000	—	63CSS	Pressure
20BK210143000	—	66SS	Pressure
20BK210148000	—	67SS	Pressure
20BK210151000	—	68SS	Pressure
20BK210152000	—	68VT	Pressure

PART NUMBERS AND SCHEMATICS GUIDE



PART NUMBERS AND SCHEMATICS GUIDE



**Part
Number**

FLUID TIPS AND NEEDLES			
Part Number	Cap Number	Orifice Size	Fluid Needle (sold separately)
20BK456301	63SS	0.8 mm (0.028 in)	20BK4756300
20BK456311	63ASS	1.1 mm (0.040 in)	20BK4756310
20BK456321	63BSS	1.2 mm (0.046 in)	20BK4756310
20BK456331	63CSS	1.3 mm (0.052 in)	20BK4756310
20BK456332	63CVT	1.3 mm (0.052 in)	20BK4757302
20BK456402	64VT	1.6 mm (0.064 in)	20BK4757402
20BK456501	65SS	1.6 mm (0.059 in)	20BK4756500
20BK456601	66SS	1.8 mm (0.070 in)	20BK4756500
20BK456608	66XSS	1.1 mm (0.040 in)	20BK4756500
20BK456605	L6SS	1.8 mm (0.070 in)	20BK4756500
20BK456701	67SS	2.2 mm (0.086 in)	20BK4756700
20BK456702	67VT	2.2 mm (0.086 in)	20BK4757702
20BK456801	68SS	2.8 mm (0.110 in)	20BK4756800
20BK456802	68VT	2.8 mm (0.110 in)	20BK4757802
20BK455911	59ASS	4.3 mm (0.171 in)	20BK4755900
20BK455912	59BSS	5.5 mm (0.218 in)	20BK4755900
20BK455913	59CSS	7.1 mm (0.281 in)	20BK4755900

PART NUMBERS AND SCHEMATICS GUIDE



Part Number

AIR CAPS		
Part Number	Cap Number	Retaining Ring Included
20BK462020	709SS	X
20BK4621MD1	21MD-1	X
20BK4621MD2	21MD-2	X
20BK4621MD3	21MD-3	X
20BK466000	63P	X
20BK466002	63PB	X
20BK466061	63PH-1	X
20BK466079	63PR	X
20BK466007	64PA	X
20BK466014	66PE	X
20BK466016	66PH	X
20BK466041	66R	X
20BK466018	66S	X
20BK466020	66SD	X
20BK466082	66SK	X
20BK466092	66SD-3	X
20BK466103	66SDJG	X
20BK466026	67PB	X
20BK466028	67PD	X
20BK466032	68PB	X
20BK462101	101	
20BK462200	200	
20BK461042	R-6SS	
20BK462244	244	
20BK462250	250	
20BK452252	252	
20BK462262	262	

Part Numbers

RETAINING RING

Description



20BK542065

Binks® 2100 Spray Gun Retaining Ring

PART NUMBERS AND SCHEMATICS GUIDE

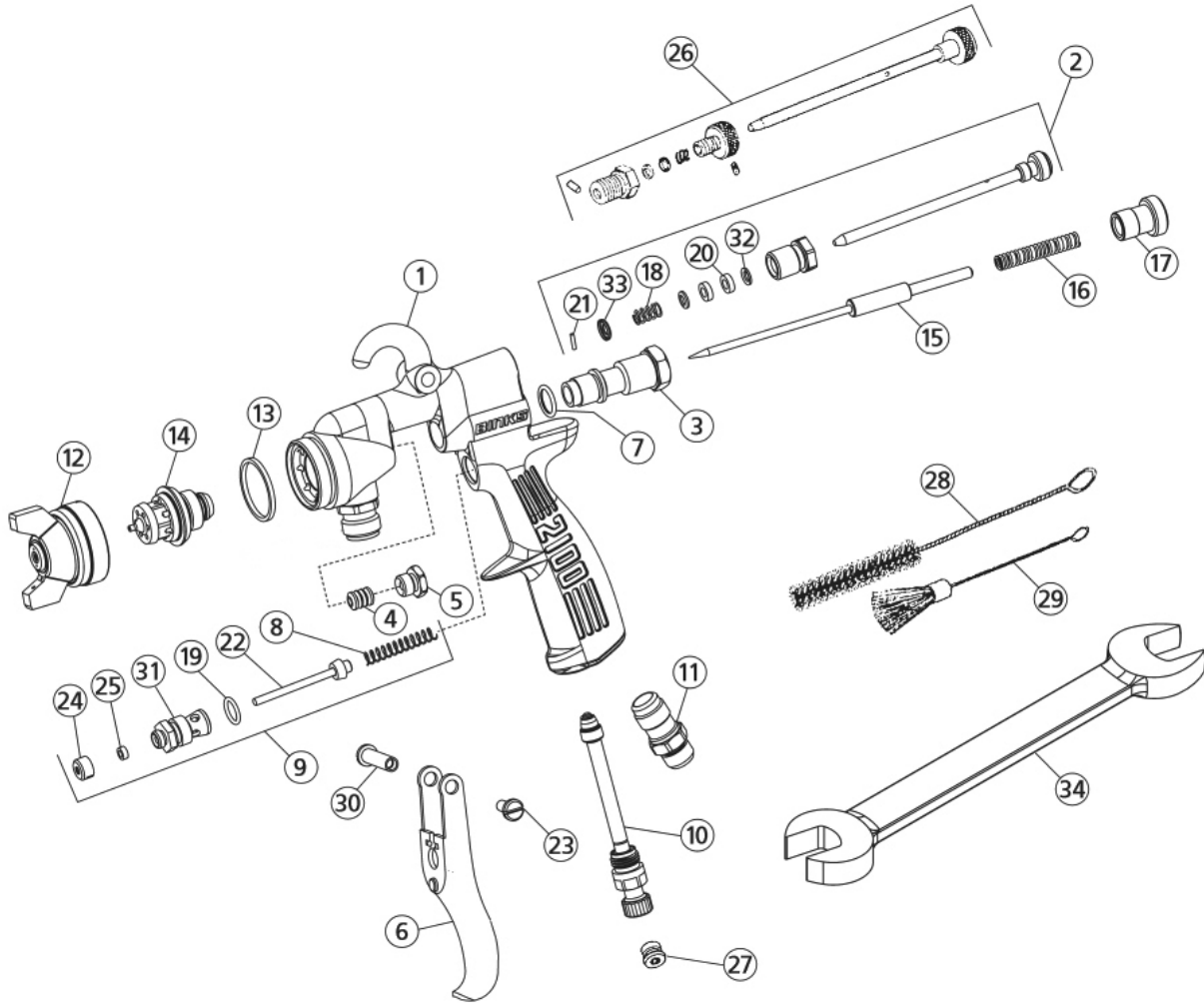
Figure 1: Binks® 2100 Spray Gun Schematics

Item#	Part#	Description
Fig. 1		
1	—	2100 Gun Body*
2	20BK543347	Side Port Control Assembly <i>(Includes Item #'s: 18, 20 (Quantity of Five); 21 (Quantity of Five); 32, and 33)</i>
3	20BK541013	Material Body
4	20BK2285	PTFE Packing <i>(Quantity of Five)</i>
5	20BK56164	Packing Nut
6	20BK545464	2100 Trigger
7	20BK2052855	O-Ring Vinton
8	20BK547505	Spring <i>(Quantity of Five)</i>
9	20BK541236	Air Valve Assembly <i>(Includes Item #'s: 4, 8, 19, 22, 24 (Quantity of Five); 25 (Quantity of Five); and 31)</i>
10	20BKSGK457	Air Adjustment Valve
11	20BK54768	Air Connection
12	—	Air Cap <i>(see page 6)</i>
13	20BK549185	Gasket <i>(Quantity of Five)</i>
14	—	Fluid Tip <i>(see page 5)</i>
15	—	Fluid Needle <i>(see page 5)</i>
16	20BK5413475	Spring <i>(Quantity of Five)</i>
17	20BK541007	Control Screw
18	20BK543045	Spring <i>(Quantity of Five)</i>
19	20BK203757	O-Ring
20	20BK547385	Packing <i>(Quantity of Five)</i>
21	20BK5410145	Pin <i>(Quantity of Five)</i>
22	20BK541025	Valve Stem Assembly
23	20BK821265	Screw <i>(Quantity of Five)</i>
24	20BK821355	Nut <i>(Quantity of Five)</i>
25	20BK821585	Packing <i>(Quantity of Five)</i>
26	20BK541780	Quick Change Sideport Control <i>(Optional)</i>
27	20BKJGA132	Plug <i>(Optional)</i>
28	20BK82469	Round Brush
29	20BKOMX88	Flat Brush
30	20BK541020	Stud
31	20BK541010	Valve Body
32	20BK5410165	Washer <i>(Quantity of Five)</i>
33	20BK5410155	Washer <i>(Quantity of Five)</i>
34	20BK5476	Fluid Nozzle Wrench <i>(Optional)</i>
—	20BK6229	Service Kit - Binks® 2100 Spray Gun <i>(Includes Item #'s: 4, 7 (Quantity of Five); 8, 13, 16, 18, 19, 20 (Quantity of Five); 21 (Quantity of Five), 22, and 25 (Quantity of Five))</i>
—	209V533	Operator's Manual – Binks® 2100 Spray Gun

*Items not sold individually

PART NUMBERS AND SCHEMATICS GUIDE

Figure 1: Binks® 2100 Spray Gun





ALLREDI THERE

Serving these industries: Bridge, Pipeline, Tank & Tower, Concrete Services, Rail, Shipyard & Marine, Pools & Fountains and Foundry

UNITED STATES

Pasadena, TX (Headquarters)

844.361.7038

Beaumont, TX

409.722.1284

Bristol, PA

215.826.8080

Corpus Christi, TX

361.887.2038

Davenport, IA

563.324.2519

Deer Park, TX

(Service & Rental Location)

281.930.0905

Duluth, GA

800.535.4564

Gonzales, LA

225.647.7575

Harvey, LA

504.367.8090

Houma, LA

985.580.4273

Jacksonville, FL

904.262.2120

Lafayette, LA

337.267.1440

Theodore, AL

251.338.7525

Youngstown, OH

330.448.6267

CANADA

Calgary, Alberta

403.279.1924

Coquitlam, BC

604.464.6979

Edmonton, Alberta

780.468.2588 (Manus)

780.425.5510 (Mod-U-Blast)

Hamilton, Ontario

905.527.6000 / 888.794.5665

Mississauga, Ontario

905.890.5837

Winnipeg, Manitoba

204.256.3324

800-252-7848 / WWW.ALLREDI-US.COM

Allredi™ and Marco® are registered trademarks of Allredi, LLC.

All other brand names or marks are used for identification purposes and are trademarks of their respective owners.

ALLREDI™

Literature #206M533_8/25/22