



MARCO® 286 AIRLINE FILTERS



PART NUMBERS AND SCHEMATICS GUIDE

Company Profile

Allredi was formed in the early 2020, when two of the largest distributors in the blasting, coating, safety, and environmental industry, APE Companies and Marco Group International, joined forces. While the qualities both companies are known for have not changed, a lot about our business is new. New abilities. New agilities. New ways to help you win. This calls for a new name, Allredi.

This name exemplifies what we have become. It is completely oriented to the needs of our customers. To your needs. It says that when you call us for anything – products, service, expert advice, anything – you can consider it done. Or even better, Allredi done.

We are your right-now supplier. From skills to SKUs, we deliver the goods fast. So you can be more agile every minute, every day. This is who we are. This is what our new name means. Go ahead and expect excellence, because we're bringing it.

Our Mission and Vision

To be the industry's preferred partner in surface preparation solutions through unrivaled technical expertise, customer experience, product availability, and tailored service offerings.

The Allredi Difference

- **Industry Experience** – With Allredi on your team, you have access to expertise which can only come from decades of industry leadership. We have organized our engineering department, production specialists, customer operations, and safety support into a "Center of Competence." As an Allredi customer, you have access to hundreds of years of cumulative experience related to your operations.
- **Manufacturing Excellence** – Allredi is a U.S. based manufacturer of equipment for the Surface Preparation and Protective Coatings industries. Allredi's engineers benchmark the industry to ensure that we design and manufacture superior products that set the "Gold Standard" for performance, safety, and quality.
- **Legendary Customer Service** – Allredi's legendary customer service team is staffed by friendly, highly-trained individuals who are focused on providing the highest level of product support, order accuracy, and customer satisfaction.
- **Product Availability** – We stock over 10,000 SKU's and have over 45 shipping locations to serve North American and International markets for all major brands of blasting, coating, environmental, and safety equipment. Allredi is your right-now supplier, so you can keep your projects moving. From our foundation of strong relationships, we have built a nationwide network that puts vast inventory and ready service close to our customers. We provide advanced expertise, and we deliver the goods fast – so you can easily access the products and services you need to me more agile every minute, every day.
- **Technology Leadership** – Our website provides: Operator's Manuals, Part Numbers and Schematics Guides, SDS information, and key product features and specifications, providing access to information 24/7.

TABLE OF CONTENTS

Company Profile	2
Table of Contents	3
Marco® 286 Airline Filters	4-11
Part Numbers	4-5
Part Numbers and Schematics	6-11
2-Outlet	6-7
6-Outlet	8-9
1-Outlet	10-11
Optional Accessories	12-14
Maintenance Notes	15

PART NUMBERS AND SCHEMATICS GUIDE

Part Numbers	MARCO® 286 AIRLINE FILTERS		
	Quantity of Outlets	Mounting	Regulator
1028600	2	Stand	X
10108535	2	Left-Side Wall Mount	X
10108536	2	Right-Side Wall Mount	X
1028601	6	Stand	X
1028602	1	Stand	—

PART NUMBERS AND SCHEMATICS GUIDE



1028602

1028601

1028600



10108535



10108536

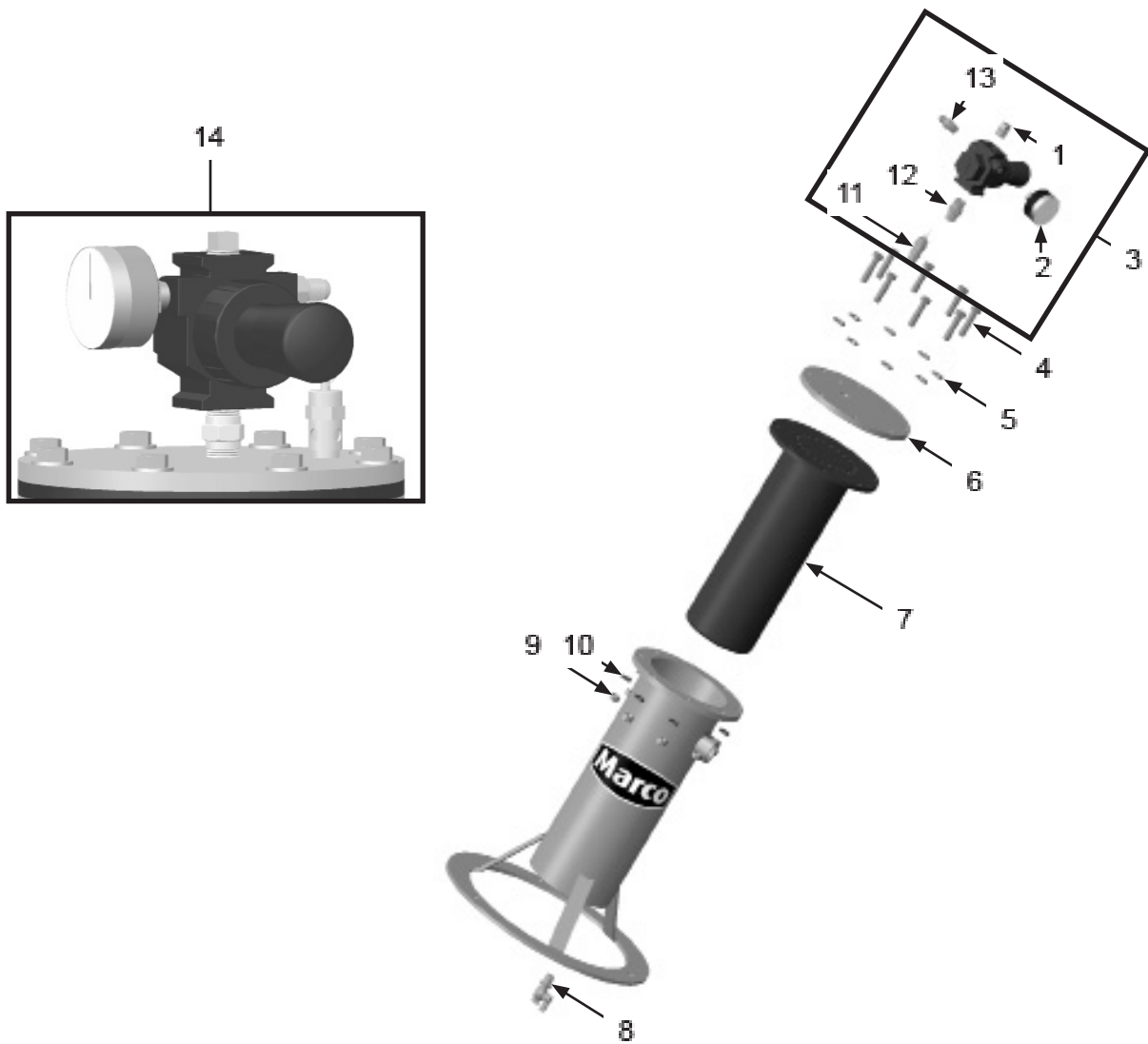
PART NUMBERS AND SCHEMATICS GUIDE

Marco® 286 Airline Filter with Regulator – 2-Outlet

Item #	Part #	Description
Fig. 1		
—	1028600	Marco® 286 Airline Filter – 2-Outlet – Complete
—	10108535	Marco® 286 Airline Filter – 2-Outlet, Left Side Wall Mount – Complete
—	10108536	Marco® 286 Airline Filter – 2-Outlet, Right Side Wall Mount – Complete
1	1028615	3/8" NPT Pipe Plug
2	1028606	Pressure Gauge – 1/4" NPT – Back-Mount – 160 psi
3	1028614	Pressure Regulator Assembly <i>(Includes Item #'s: 1, 2, 12, and 13)</i>
4	10102252	Bolt – 3/8-16 x 2" <i>(Eight Required)</i>
5	10101942	Washer – 3/8"
6	1028605	Lid for 1028600
7	1028633	Filter Cartridge
8	1012101	Petcock – 1/4" NPT
9	1028619	Nut – 3/8-16 <i>(Eight Required)</i>
10	10101936	Lock Washer – 3/8" <i>(16 Required)</i>
11	1028607	Pressure Relief Valve – 1/4" NPT – 125 psi
12	1028610	Hex Nipple – 3/8" NPT
13	1028611	Adapter – 1/4" NPT x 5/8 Flare
14	1028603	2-Outlet Manifold Assembly <i>(Includes Item #'s: 3, 4, 5, 6, 9, and 10)</i>
—	1091044	Hazard Identification Label – Airline Filter
—	1091122	Hazard Identification Label – Airline Filter Cartridge
—	106M045	Part Number and Schematics Guide – Marco® 286 Airline Filters
—	1090045	Operator's Manual – Marco® 286 Airline Filters

PART NUMBERS AND SCHEMATICS GUIDE

Figure 1: Marco® 286 Airline Filter with Regulator – 2-Outlet



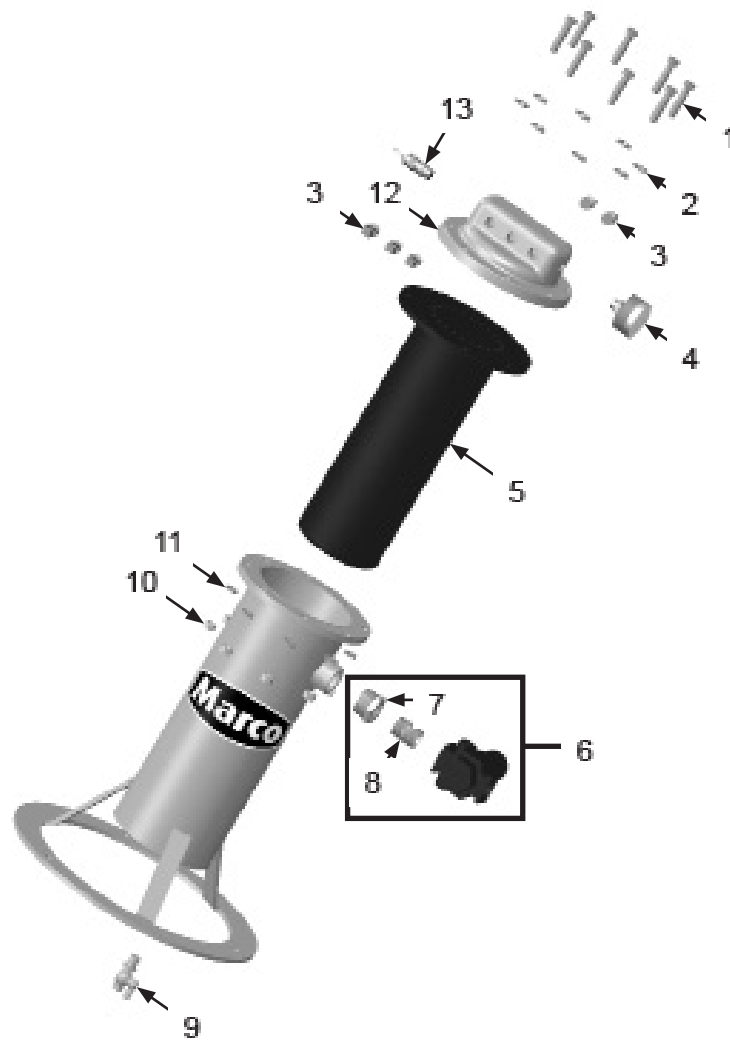
PART NUMBERS AND SCHEMATICS GUIDE

Marco® 286 Airline Filter with Regulator – 6-Outlet

Item #	Part #	Description
Fig. 2		
—	1028601	Marco® 286 Airline Filter – 6-Outlet – Complete
1	10102252	Bolt – 3/8-16 x 2" (<i>Eight Required</i>)
2	10101942	Washer – 3/8" (<i>Eight Required</i>)
3	1028615	3/8" NPT Pipe Plug (<i>Five Required</i>)
4	1028606	Pressure Gauge – 1/4" NPT – Back-Mount – 160 psi
5	1028633	Filter Cartridge
6	1028613	Pressure Regulator Assembly (<i>Includes Item #'s: 7 and 8</i>)
7	1011505	Bushing – 1" NPT (M) x 3/4" NPT (M)
8	1011213	Close Nipple – 3/4" NPT
9	1012101	Petcock – 1/4" NPT
10	1028619	Nut – 3/8-16 (<i>Eight Required</i>)
11	10101936	Lock Washer – 3/8" (<i>Eight Required</i>)
12	10101243	Lid for 1028601
13	1028607	Pressure Relief Valve – 1/4" NPT – 125 psi
—	1028631	6-Outlet Conversion Kit (<i>Includes Item #'s: 1, 2, 3, 4, 6, 10, 11, and 12</i>)
—	1091044	Hazard Identification Label – Airline Filter
—	1091122	Hazard Identification Label – Airline Filter Cartridge
—	106M045	Part Number and Schematics Guide – Marco® 286 Airline Filters
—	1090045	Operator's Manual – Marco® 286 Airline Filters

PART NUMBERS AND SCHEMATICS GUIDE

Figure 2: Marco® 286 Airline Filter with Regulator – 6-Outlet



PART NUMBERS AND SCHEMATICS GUIDE

Marco® 286 Airline Filter without Regulator – 1-Outlet



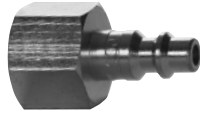
Item #	Part #	Description
Fig. 3		
—	1028602	Marco® 286 Airline Filter – 1-Outlet – Complete
1	10102252	Bolt – 3/8-16 x 2" (<i>Eight Required</i>)
2	10102258	Washer – 3/8" (<i>Eight Required</i>)
3	1028620	Lid for 1028602
4	1028633	Filter Cartridge
5	1012101	Petcock – 1/4" NPT
6	1028619	Nut – 3/8-16 (<i>Eight Required</i>)
7	10101936	Lock Washer – 3/8" (<i>Eight Required</i>)
8	1012052	Pipe Plug – 1/4" NPT – Galvanized
—	1091044	Hazard Identification Label – Airline Filter
—	1091122	Hazard Identification Label – Airline Filter Cartridge
—	106M045	Part Number and Schematics Guide – Marco® 286 Airline Filters
—	1090045	Operator's Manual – Marco® 286 Airline Filters



PART NUMBERS AND SCHEMATICS GUIDE

Figure 3: Marco® 286 Airline Filter without Regulator – 1-Outlet



OPTIONAL ACCESSORIES

FITTINGS AND QUICK-DISCONNECT COUPLINGS		
Part Numbers	Description	
	10BV13	3/8" Male NPT Pipe Thread to 3/8" Male Hose Adapter Hex Nipple
	10BV15	1/4" Female Quick-Disconnect Coupling, Shut-Off with 3/8" Male Pipe Thread
	10BV17	1/4" Male Industrial Interchange Quick-Disconnect Coupling, 3/8" Female NPT Pipe Thread <i>Add to 10BV13 to make quick-disconnect at airline filter</i>

THREADED METAL END COUPLINGS AND GASKETS									
Part Numbers	Thread Size	Compatible Airline Filter	Style	Material	Coupling Style	GASKET OPTIONS			
						Rubber Gasket	Gasket I.D.	Gasket O.D.	
	3/4"	6-Outlet	Male	Zinc-Plated Iron	2-Lug	10UG2	3/4"	1-3/8"	
	1"	1-Outlet 2-Outlet	Male	Zinc-Plated Iron	2-Lug	10UG2	3/4"	1-3/8"	

OPTIONAL ACCESSORIES



Part Numbers

3/4" I.D. X 1-1/4" O.D. AIR HOSE					
	Length	Hose I.D.	Hose O.D.	Working Pressure	Hose Cover Color
10AH034	Per Foot	3/4"	1-1/4"	200 psi	Red



Part Numbers

3/4" I.D. X 1-1/4" O.D. AIR HOSE WITH COUPLINGS INSTALLED						
	Length	Hose I.D.	Hose O.D.	Working Pressure	Hose Cover Color	Couplings
10AH034AC	50 Ft.	3/4"	1-1/4"	200 psi	Red	2-Lug Crimped On



Part Numbers

MALE HOSE END COUPLING AND GASKET FOR 3/4" I.D. AIR HOSE						
	Hose I.D.	Material	Coupling Style	GASKET		
				Rubber Gasket	Gasket I.D.	Gasket O.D.
10HE1	3/4"	Zinc-Plated Iron	2-Lug	10UG2	3/4"	1-3/8"



Part Numbers

BOSS CLAMP FOR 3/4" I.D. AIR HOSE			
	Hose I.D.	Hose O.D. Range	Material
10A9	3/4"	1-1/8"—1-5/16"	Plated Steel

OPTIONAL ACCESSORIES



Part Numbers

1" I.D. X 1-1/2" O.D. AIR HOSE					
Part Numbers	Length	Hose I.D.	Hose O.D.	Working Pressure	Hose Cover Color
10AH100	Per Foot	1"	1-1/2"	200 psi	Red



Part Numbers

1" I.D. X 1-1/2" O.D. AIR HOSE WITH COUPLINGS INSTALLED							
Part Numbers	Length	Hose I.D.	Hose O.D.	Working Pressure	Hose Cover Color	Couplings	Band Clamps
10AH100AC	50 Ft.	1"	1-1/2"	200 psi	Red	2-Lug Crimped On	



Part Numbers

MALE HOSE END COUPLING AND GASKET FOR 1" I.D. AIR HOSE						
Part Numbers	Hose I.D.	Material	Coupling Style	GASKET		
				Rubber Gasket	Gasket I.D.	Gasket O.D.
10HE2	1"	Plated Iron	2-Lug	10UG2	3/4"	1-3/8"



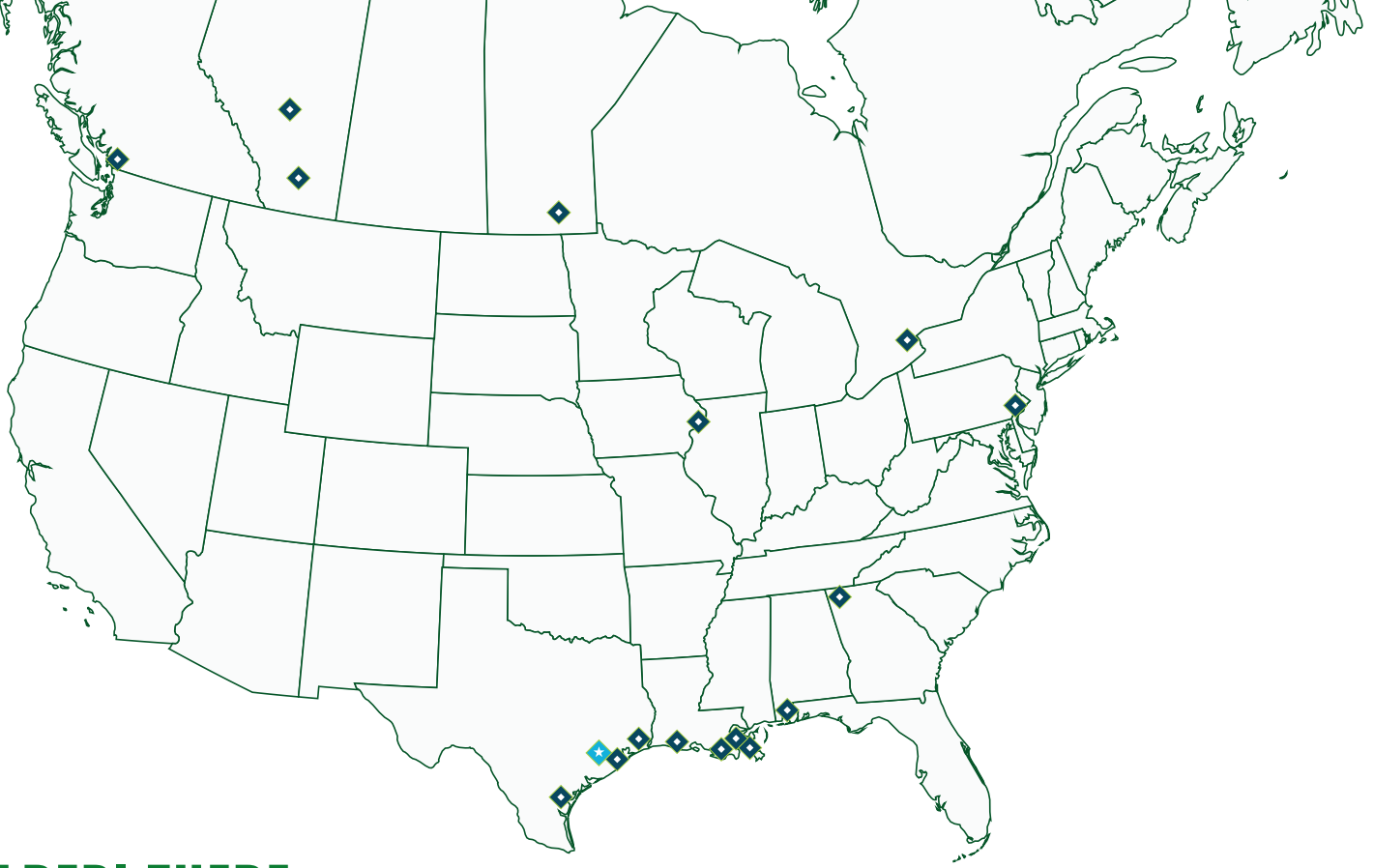
Part Numbers

HAMMER-LOCK FITTING FOR 1" I.D. AIR HOSE		
Part Numbers	Hose I.D.	Material
10DXGF36	1"	Plated Steel



Part Numbers

BOSS CLAMP FOR 1" I.D. AIR HOSE			
Part Numbers	Hose I.D.	Hose O.D. Range	Material
10A14	1"	1-1/2"–1-13/16"	Plated Steel



ALLREDI THERE

Serving these industries: Bridge, Pipeline, Tank & Tower, Concrete Services, Rail, Shipyard & Marine, Pools & Fountains and Foundry

UNITED STATES

Pasadena, TX (Headquarters)
844.361.7038

Beaumont, TX
409.722.1284

Bristol, PA
215.826.8080

Corpus Christi, TX
361.887.2038

Davenport, IA
563.324.2519

Deer Park, TX
(Service & Rental Location)
281.930.0905

Duluth, GA
800.535.4564

Gonzales, LA
225.647.7575

Harvey, LA
504.367.8090

Houma, LA
985.580.4273

Jacksonville, FL
904.262.2120

Lafayette, LA
337.267.1440

Theodore, AL
251.338.7525

Youngstown, OH
330.448.6267

CANADA

Calgary, Alberta
403.279.1924

Coquitlam, BC
604.464.6979

Edmonton, Alberta
780.468.2588 (Manus)
780.425.5510 (Mod-U-Blast)

Hamilton, Ontario
905.527.6000 / 888.794.5665

Mississauga, Ontario
905.890.5837

Winnipeg, Manitoba
204.256.3324

800-252-7848 / WWW.ALLREDI-US.COM

Allredi™ and Marco® are registered trademarks of Allredi, LLC.
All other brand names or marks are used for identification purposes and are trademarks of their respective owners.

ALLREDI™

Literature #106M045_7/7/2023