



AUTOMATIC EASY-FLOW METERING VALVE



PART NUMBERS AND SCHEMATIC GUIDE

Company Profile

Allredi was formed in the early 2020, when two of the largest distributors in the blasting, coating, safety, and environmental industry, APE Companies and Marco Group International, joined forces. While the qualities both companies are known for have not changed, a lot about our business is new. New abilities. New agilities. New ways to help you win. This calls for a new name, Allredi.

This name exemplifies what we have become. It is completely oriented to the needs of our customers. To your needs. It says that when you call us for anything – products, service, expert advice, anything – you can consider it done. Or even better, Allredi done.

We are your right-now supplier. From skills to SKUs, we deliver the goods fast. So you can be more agile every minute, every day. This is who we are. This is what our new name means. Go ahead and expect excellence, because we're bringing it.

Our Mission and Vision

To be the industry's preferred partner in surface preparation solutions through unrivaled technical expertise, customer experience, product availability, and tailored service offerings.

The Allredi Difference

- **Industry Experience** – With Allredi on your team, you have access to expertise which can only come from decades of industry leadership. We have organized our engineering department, production specialists, customer operations, and safety support into a "Center of Competence." As an Allredi customer, you have access to hundreds of years of cumulative experience related to your operations.
- **Manufacturing Excellence** – Allredi is a U.S. based manufacturer of equipment for the Surface Preparation and Protective Coatings industries. Allredi's engineers benchmark the industry to ensure that we design and manufacture superior products that set the "Gold Standard" for performance, safety, and quality.
- **Legendary Customer Service** – Allredi's legendary customer service team is staffed by friendly, highly-trained individuals who are focused on providing the highest level of product support, order accuracy, and customer satisfaction.
- **Product Availability** – We stock over 10,000 SKU's and have over 45 shipping locations to serve North American and International markets for all major brands of blasting, coating, environmental, and safety equipment. Allredi is your right-now supplier, so you can keep your projects moving. From our foundation of strong relationships, we have built a nationwide network that puts vast inventory and ready service close to our customers. We provide advanced expertise, and we deliver the goods fast – so you can easily access the products and services you need to me more agile every minute, every day.
- **Technology Leadership** – Our website provides: Operator's Manuals, Part Numbers and Schematics Guides, SDS information, and key product features and specifications, providing access to information 24/7.

TABLE OF CONTENTS

Company Profile	2
Table of Contents	3
Automatic Easy-Flow Metering Valve	4-7
Part Numbers	4-5
Part Numbers & Schematics	6-7

PART NUMBERS & SCHEMATICS GUIDE

Part Numbers	AUTOMATIC EASY-FLOW METERING VALVE
	Description
10105102	Automatic Easy-Flow Metering Valve

PART NUMBERS & SCHEMATICS GUIDE



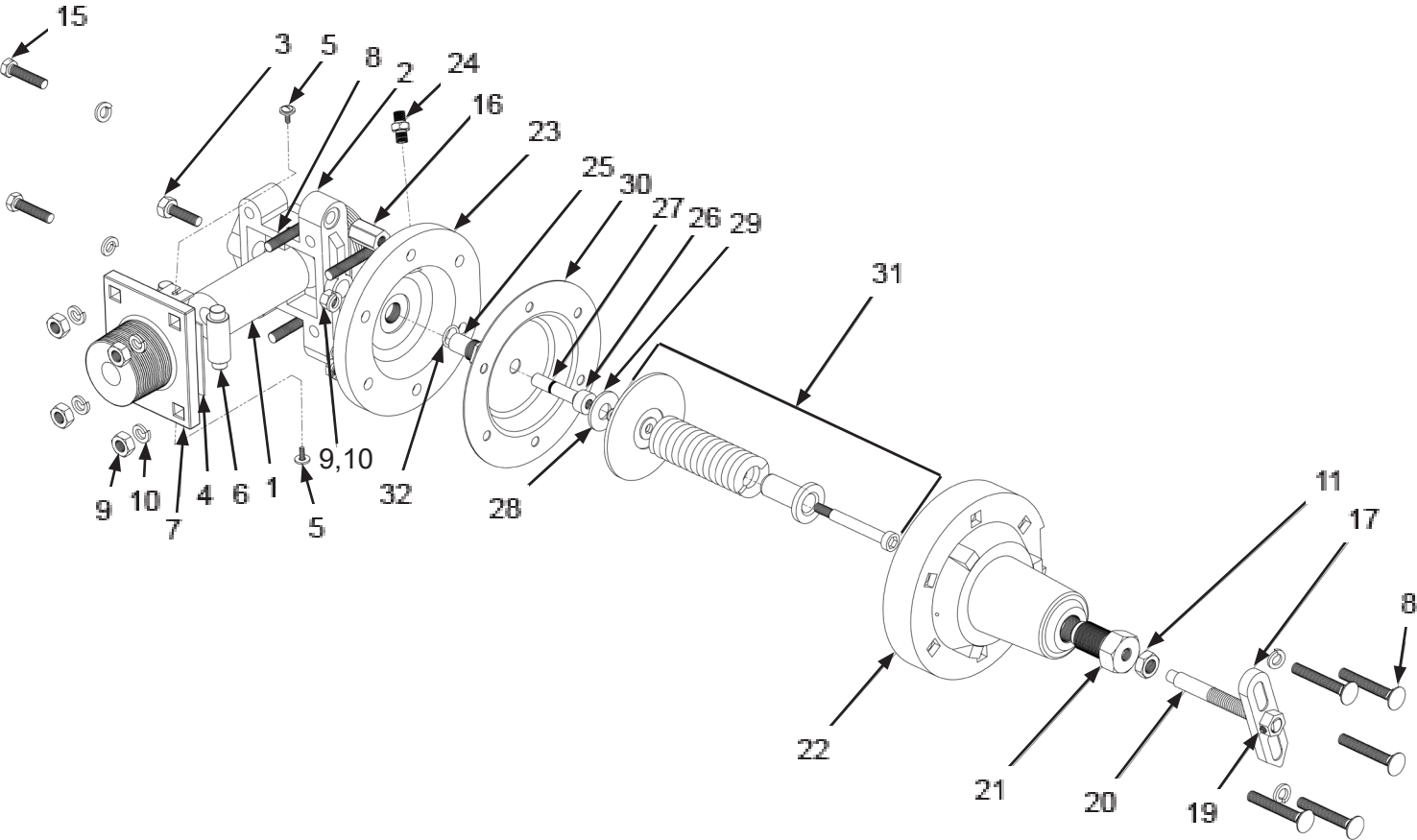
PART NUMBERS & SCHEMATICS GUIDE

Automatic Easy-Flow Metering Valve

Item #	Part#	Description
Fig. 1		
—	10105102	Automatic Easy-Flow Metering Valve
1	10105104	Metering Tube – 3/4" I.D.
2	10105109	2" NPT Valve Body
3	10105110	7/16" x 1-1/4" Bolt
4	10105111	Roller Stop/Holder
5	10105112	M4 x 15mm Screw and Washer
6	10105113	Pinch Roller
7	10105114	2" NPT Flange
8	10105115	3/8-16 x 2-1/2" Carriage Bolt
9	10101938	3/8" UNC Hex Nut
10	10101936	3/8" I.D. Lock Washer
11	10105118	1/2-13 UNC Jam Nut
15	10101059	3/8-16 UNC Hex Bolt
16	10105120	3/8-16 UNC Extension Nut
17	10105121	1/2-13 Handle Only
19	10105122	Grub Screw M6 (Set Screw 1/2"-13 x 1/2")
20	10105123	Handle Shaft
21	10105124	Spring Tensioner
22	10105125	Spring Enclosure
23	10105126	Diaphragm Cover
24	10105127	Adapter 1/4" NPT x 1/4" Ball End Hose
25	10105128	Plunger Guide
26	10105129	Plunger
27	10105130	O-Ring
28	10105131	Washer – 1/2" I.D.
29	10105132	Diaphragm Gasket
30	10105133	Diaphragm
31	10105105	Spring Assembly
32	10105135	O-Ring for Plunger Guide
—	10105196	2" x 1-1/4" Galvanized Bell Reducer
—	1070390	1-1/4" x 1-1/4" x 2" Pipe Tee
—	106M541	Part Numbers and Schematics Guide – Automatic Easy-Flow Metering Valve

PART NUMBERS & SCHEMATICS GUIDE

Figure 1: Automatic Easy-Flow Metering Valve





ALLREDI THERE

Serving these industries: Bridge, Pipeline, Tank & Tower, Concrete Services, Rail, Shipyard & Marine, Pools & Fountains and Foundry

UNITED STATES

Pasadena, TX (Headquarters)

844.361.7038

Beaumont, TX

409.722.1284

Bristol, PA

215.826.8080

Corpus Christi, TX

361.887.2038

Davenport, IA

563.324.2519

Deer Park, TX

(Service & Rental Location)

281.930.0905

Duluth, GA

800.535.4564

Gonzales, LA

225.647.7575

Harvey, LA

504.367.8090

Houma, LA

985.580.4273

Jacksonville, FL

904.262.2120

Lafayette, LA

337.267.1440

Theodore, AL

251.338.7525

Youngstown, OH

330.448.6267

CANADA

Calgary, Alberta

403.279.1924

Coquitlam, BC

604.464.6979

Edmonton, Alberta

780.468.2588 (Manus)

780.425.5510 (Mod-U-Blast)

Hamilton, Ontario

905.527.6000 / 888.794.5665

Mississauga, Ontario

905.890.5837

Winnipeg, Manitoba

204.256.3324

800-252-7848 / WWW.ALLREDI-US.COM

Allredi™ and Marco® are registered trademarks of Allredi, LLC.

All other brand names or marks are used for identification purposes and are trademarks of their respective owners.

ALLREDI™

Literature #106M541_8/24/22