



# SPRAYMASTER® MP-70 PLURAL COMPONENT SPRAYER



**BUILT MARCO**  
**TOUGH**  
MARCO MANUFACTURED

## PART NUMBERS AND SCHEMATICS GUIDE

## Company Profile

Since 1944, Marco has developed a strong tradition of providing innovative and reliable products and services to the surface preparation and protective coatings industries. We are the world's premier provider of Abrasives, Blasting, Coating, Dust Collectors, Engineered Systems, Rental, Safety, Service, Repair, & Modernization, and Vacuums.

Through innovative designs and a total commitment to quality, Marco manufactures products that increase production rates, create a safer workplace, and reduce maintenance costs. Marco's industry experience, manufacturing capabilities, legendary customer service, product availability, logistics services, and technology leadership is your assurance that we deliver high quality products and services, providing the best value to you, our customer.

## The Marco Difference

- **Industry Experience** – With Marco on your team, you have access to expertise which can only come from decades of industry leadership. We have organized our engineering department, production specialists, customer operations, and safety support into a “Center of Competence.” As a Marco customer, you have access to hundreds of years of cumulative experience related to your operations.
- **Manufacturing Excellence** – Marco is a U.S. based, ISO 9001:2008 certified manufacturer of equipment for the Surface Preparation and Protective Coatings industries. Marco's engineers benchmark the industry to ensure that we design and manufacture superior products that set the “Gold Standard” for performance, safety, and quality.
- **Legendary Customer Service** – Marco's legendary customer service team is staffed by friendly, highly-trained individuals who are focused on providing the highest level of product support, order accuracy, and customer satisfaction.
- **Product Availability** – We stock over 10,000 SKU's and have more than 45 shipping locations to serve North American and International markets for all major brands of blasting and coating equipment. As the largest provider of surface preparation and protective coatings equipment in the world, our inventory levels and product availability are unmatched.
- **Logistics Services** – Marco's in-house logistics team is dedicated to moving your shipment anywhere in the world. We move more than 14,000 truckloads every year, allowing you to save on freight costs by leveraging our buying power. Lower your process costs with a single invoice, which includes product and freight.
- **Technology Leadership** – Our website provides: Operator's Manuals, Part Numbers and Schematics Guides, SDS information, and Features & Specifications Guides, providing access to information 24/7. Our Extranet application allows you to receive quotes and place orders online. Our Intranet maintains a complete record of your purchase history to assist with ongoing support of your existing equipment and future purchasing decisions.

## Vision Statement

Marco is the world's premier provider of Abrasives, Blasting, Coating, Dust Collectors, Engineered Systems, Rental, Safety, Service, Repair, & Modernization, and Vacuums.

## Mission Statement

Marco provides strong leadership and innovation to the surface preparation and protective coatings industries. We dedicate our efforts to the continuous improvement of our products, services, processes, people, and most importantly, the quality of our customer's experience.

## Quality Statement

Marco is committed to providing superior quality in the design, manufacturing, distribution, rental, service, and repair of our products. Our ISO 9001:2008 certification extends throughout all operations in all locations. Continuous improvement of our processes and supply chain Integration comprise the core of our business strategy for delivering exceptional quality and value in all Marco products and services.

## Management Philosophy

We are a company dedicated to the success of every customer and associate. We discuss, debate, challenge, measure, and test our ideas. We will be boundless and limitless in our passion to improve. Through sound leadership and dedicated associates, we will ensure a long term, profitable future for Marco, our associates, customers, and suppliers.

# TABLE OF CONTENTS

## CONTENTS

<b>Part Numbers</b> .....	<b>4</b>
<b>Part Numbers and Schematics</b> .....	<b>6</b>
Spraymaster® MP-70 Spray System.....	6
Spraymaster® MP-70 Air Motor and Lower Pump Assembly .....	8
Pressure Gauge Assemblies .....	10
Flush Pump Regulator Assembly .....	11
<b>Optional Accessories</b> .....	<b>12</b>
Wheel Conversion Kit.....	12

## PART NUMBERS

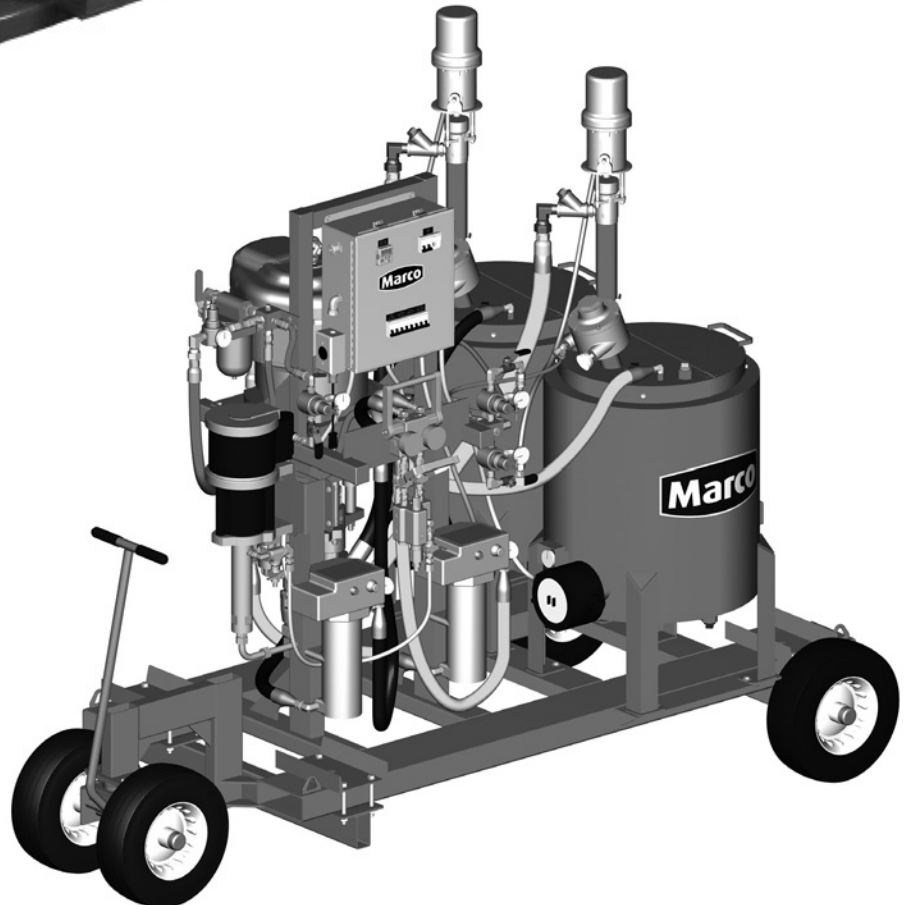
### SPRAYMASTER® MP-70 PLURAL COMPONENT SPRAYER - SKID MOUNTED

<b>PART NUMBERS</b>	<b>Graco® XP70™ Bare Sprayer</b>	<b>Mixer</b>	<b>Spraymaster® 25 Gallon Round Component Tanks</b>	<b>Graco® Monark Pump</b>	<b>Skid Mounted</b>	<b>Power Source</b>
20100986	1:1	Standard-Duty	X	5:1	X	240-Volt
20101026	1.5:1	Standard-Duty	X	5:1	X	240-Volt
20100995	2:1	Standard-Duty	X	5:1	X	240-Volt
20101027	2.5:1	Standard-Duty	X	5:1	X	240-Volt
20101028	3:1	Standard-Duty	X	5:1	X	240-Volt
20101029	4:1	Standard-Duty	X	5:1	X	240-Volt

### SPRAYMASTER® MP-70 PLURAL COMPONENT SPRAYER - CART MOUNTED

<b>PART NUMBERS</b>	<b>Graco® XP70™ Bare Sprayer</b>	<b>Mixer</b>	<b>Spraymaster® 25 Gallon Round Component Tanks</b>	<b>Graco® Monark Pump</b>	<b>Cart Mounted</b>	<b>Power Source</b>
20101116	1:1	Standard-Duty	X	5:1	X	240-Volt
20101117	1.5:1	Standard-Duty	X	5:1	X	240-Volt
20101118	2:1	Standard-Duty	X	5:1	X	240-Volt
20101119	2.5:1	Standard-Duty	X	5:1	X	240-Volt
20101120	3:1	Standard-Duty	X	5:1	X	240-Volt
20101121	4:1	Standard-Duty	X	5:1	X	240-Volt

# PART NUMBERS



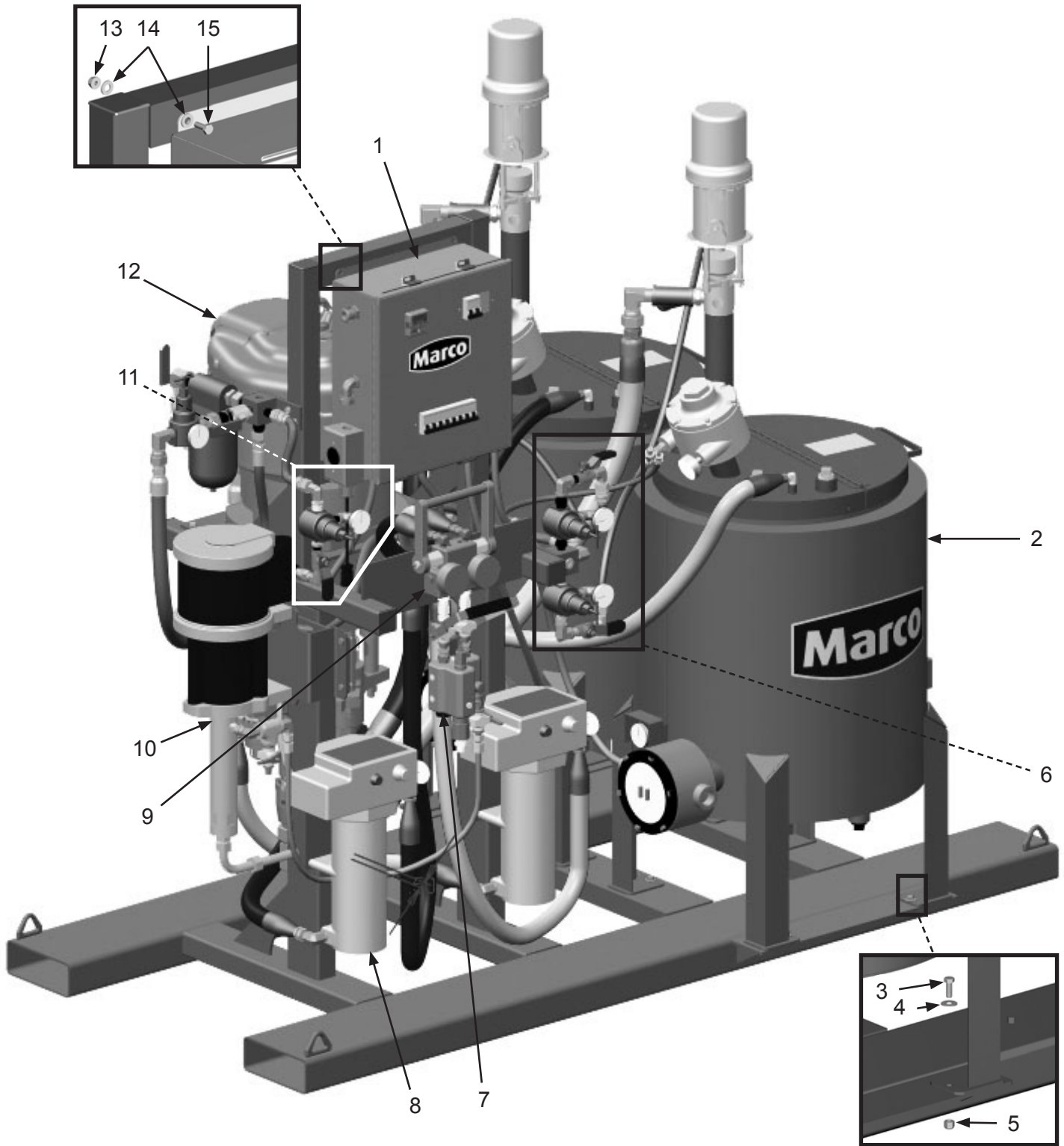
# PART NUMBERS AND SCHEMATICS

## Spraymaster® MP-70 Spray System

Item #	Part #	Description
<b>Fig. 1</b>		
—	20100986	<b>Spraymaster® MP-70 1:1 Spray System – Pressure Feed – Complete</b>
—	20101026	<b>Spraymaster® MP-70 1.5:1 Spray System – Pressure Feed – Complete</b>
—	20100995	<b>Spraymaster® MP-70 2:1 Spray System – Pressure Feed – Complete</b>
—	20101027	<b>Spraymaster® MP-70 2.5:1 Spray System – Pressure Feed – Complete</b>
—	20101028	<b>Spraymaster® MP-70 3:1 Spray System – Pressure Feed – Complete</b>
—	20101029	<b>Spraymaster® MP-70 4:1 Spray System – Pressure Feed – Complete</b>
1	—	240-Volt AC Power Supply ( <i>Contact Marco for Details</i> )
2	20101081	Spraymaster® 25 Gallon Heated Coatings Tank- 240-Volt AC ( <i>Two Required</i> )
3	20100195	3/8-16 x 1" Hex Bolt ( <i>Eight Required</i> )
4	10102331	3/8" Flat Washer ( <i>Eight Required</i> )
5	20100138	3/8-16 Hex Locknut ( <i>Eight Required</i> )
6	—	Pressure Gauge Assembly ( <i>See Fig. 3</i> )
7	20G262807	Mix Manifold
8	20G245869	In-line Paint Heater ( <i>Two Required</i> )
9	20G262806	MP-70 Fluid Recirculation Manifold
10	20G262393	Flush Pump Assembly
11	—	Flush Pump Regulator Assembly ( <i>See Fig. 4</i> )
12	—	Air Motor & Lower Pump Assembly ( <i>See Fig. 2</i> )
13	10101939	1/4-20 Hex Locknut ( <i>Four Required</i> )
14	1014017	1/4" Flat Washer ( <i>Eight Required</i> )
15	1012154	1/4-20 x 1" Hex Bolt ( <i>Four Required</i> )
—	20BEAKER1000ML	1000 Milliliter Test Beaker
—	2091000	PC Sprayer Label Kit - Misc.

# PART NUMBERS & SCHEMATICS

Figure 1: Spraymaster® MP-70 Spray System



## PART NUMBERS & SCHEMATICS

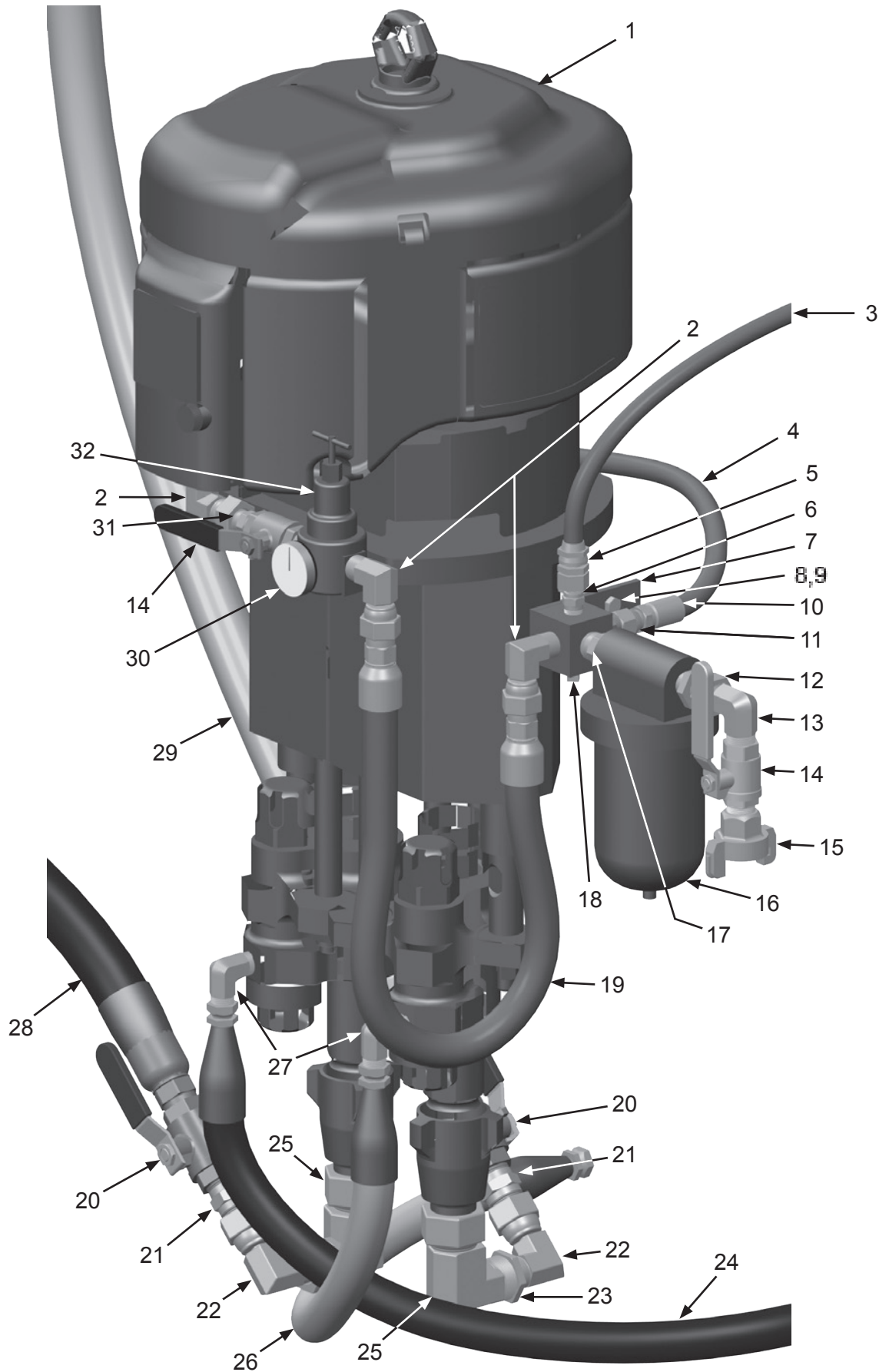
### Spraymaster® MP-70 Air Motor and Lower Pump Assembly

Item #	Part #	Description
<b>Fig. 2</b>		
1	20G571100	Graco® XP70™ 1:1 Bare Sprayer
	20G571150	Graco® XP70™ 1.5:1 Bare Sprayer
	20G571200	Graco® XP70™ 2:1 Bare Sprayer
	20G571250	Graco® XP70™ 2.5:1 Bare Sprayer
	20G571300	Graco® XP70™ 3:1 Bare Sprayer
	20G571400	Graco® XP70™ 4:1 Bare Sprayer
2	20G160327	3/4" NPT (M) x 3/4" (F) 90° Elbow Union Swivel <i>(Three Required)</i>
3	10AH038	3/8" Air Hose
4	10AH012	1/2" ID Air Hose
5	2080020	3/8" Hose End
6	20PFHA24SA0606	3/8" NPT Hex Nipple
7	20100094	Air Manifold
8	1014231	3/8-16 x 2-3/4" Hex Bolt <i>(Two Required)</i>
9	20100138	3/8-16 Hex Locknut <i>(Two Required)</i>
10	20PFHFHU0808ND	1/2" NPT Crimp on Hose End
11	20PFHA24SA0806	1/2" x 3/8" NPT Hex Nipple
12	20PFHA60SA1212	3/4" Swivel Fitting
13	20PFHA25UA1212	3/4" NPT (M) 90° Elbow
14	20G113218	3/4" NPT (M) x 3/4" (F) Vented Ball Valve <i>(Two Required)</i>
15	10FE1	3/4" NPT (F) 2-Lug Air Hose coupling
16	20G117628	Air Filter with Auto Drain
17	20PFHA24SA1212	3/4" Hex Nipple
18	1028615	3/8" Pipe Plug
19	20G16E004	3/4" Coupled Air Hose
20	20100389	1" NPT Full Port Ball Valve - 2000 PSI Rated <i>(Two Required)</i>
21	20PFHA24SA1616	1" NPT Hex Nipple <i>(Two Required)</i>
22	20PFHA60UA1616	1" NPT (M) x 1" (F) 90° Swivel Elbow <i>(Two Required)</i>
23	20PFHA24SB2016	1-1/4" x 1" NPT Bushing <i>(Two Required)</i>
24	20100206	1/2" Blue Insulated Hose- 3ft
25	20PFHA60UG2020	1-1/4" NPT (F) 90° Swivel Elbow <i>(Two Required)</i>
26	20100207	1/2" Green Insulated Hose- 3ft
27	20PFHA25UA0808	1/2" NPT (M) 90° Elbow <i>(Two Required)</i>
28	20100213	1" Blue Fluid Hose- 4ft
29	20100217	1" Green Fluid Hose- 4ft
30	20G101689B	0-200 PSI Gauge
31	20G119992	3/4" NPT (M) Hex Nipple
32	20G16F014	3/4" NPT T-Handle Air Regulator



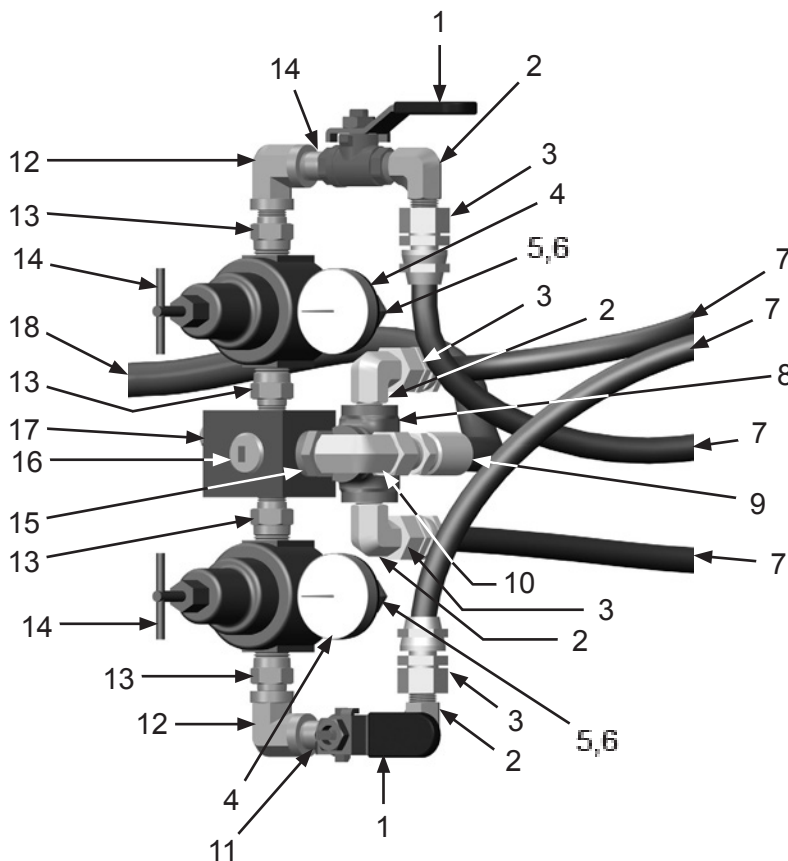
# PART NUMBERS & SCHEMATICS

Figure 2: Spraymaster® MP-70 Air Motor & Lower Pump Assembly



## PART NUMBERS & SCHEMATICS

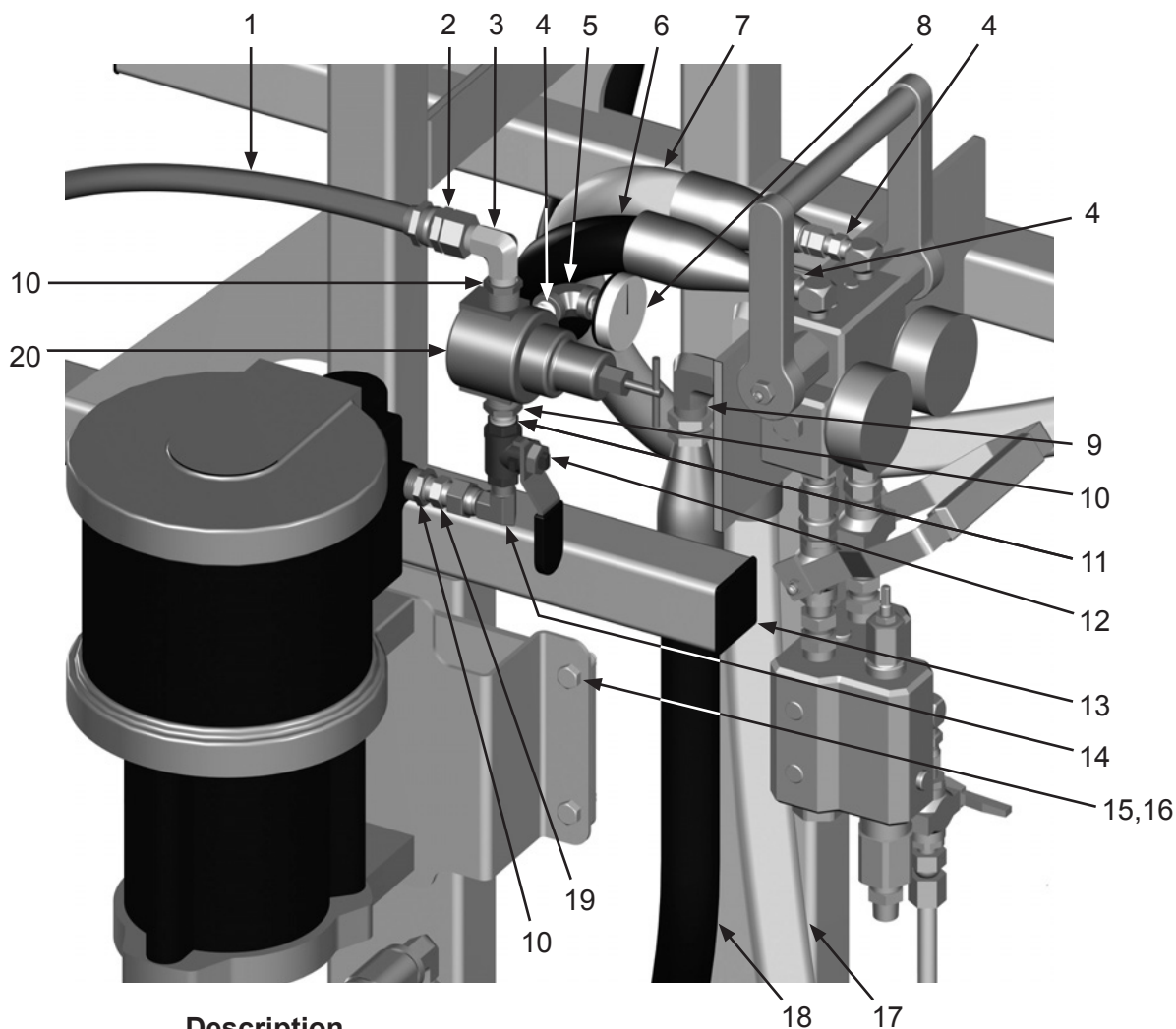
Figure 3: Pressure Gauge Assemblies



Item #	Part #	Description
<b>Fig. 3</b>		
1	20G113333	3/8" NPT Vented Ball Valve (Two Required)
2	20PFHA25UA0606	3/8" NPT (M) 90° Elbow (Four Required)
3	2080020	3/8" Hose End (Four Required)
4	20G101689B	0-200 PSI Gauge (Two Required)
5	20PFHA24SA0404	1/4" NPT Hex Nipple (Two Required)
6	20PFHA25UJ04	1/4" NPT (F) 90° Elbow (Two Required)
7	10AH038	3/8" ID Air Hose
8	20PFHA25VJ06	1/4" NPT (F) Tee
9	20PFHFHU0808ND	1/2" NPT Crimp on Hose End
10	20PFHA25UA0808	1/2" NPT (M) 90° Elbow
11	1011209	3/8" Close Nipple (Two Required)
12	20PFHA25UJ06	3/8" NPT (F) 90° Elbow (Two Required)
13	20PFHA24SA0806	1/2" x 3/8" NPT Hex Nipple (Four Required)
14	20G104266	1/2" Air Regulator (Two Required)
15	20PFHA24SB1208	3/4" to 1/2" NPT Bushing
16	20RPLG75R	3/4" Recessed Plug
17	20100094	Air Manifold
18	10AH012	1/2" ID Air Hose

## PART NUMBERS & SCHEMATICS

**Figure 4: Flush Pump Regulator Assembly**



Item #	Part #	Description
<b>Fig. 4</b>		
1	10AH038	3/8" Air Hose
2	2080020	3/8" Hose End
3	20PFHA25UA0606	3/8" NPT (M) 90° Elbow
4	20PFHA24SA0404	1/4" NPT Hex Nipple <i>(Three Required)</i>
5	20PFHA25UJ04	1/4" NPT (F) 90° Elbow
6	20100362	1/4" Blue Insulated Hose- 6ft
7	20100363	1/4" Green Insulated Hose- 6ft
8	20G101689B	0-200 PSI Gauge
9	20PFHA25UA0808	1/2" NPT (M) 90° Elbow <i>(Two Required)</i>
10	20PFHA24SB0806	1/2" (M) x 3/8" (F) NPT Bushing <i>(Three Required)</i>
11	1011209	3/8" NPT Close Nipple
12	20G113333	3/8" NPT Vented Ball Valve
13	20100281	2" x 2" Plastic End Cap <i>(Six Required)</i>
14	20PFHA60UA0606	3/8" (M) x 3/8" (F) NPT 90° Swivel Union
15	20100195	3/16-16 x 1" Hex Bolt <i>(Four Required)</i>
16	20100138	3/16-16 Hex Locknut <i>(Four Required)</i>
17	20100205	1/2" Green Insulated Hose- 5ft
18	20100204	1/2" Blue Insulated Hose- 5ft
19	20PFHA24SA0606	3/8" NPT Hex Nipple
20	20G104266	1/2" Air Regulator

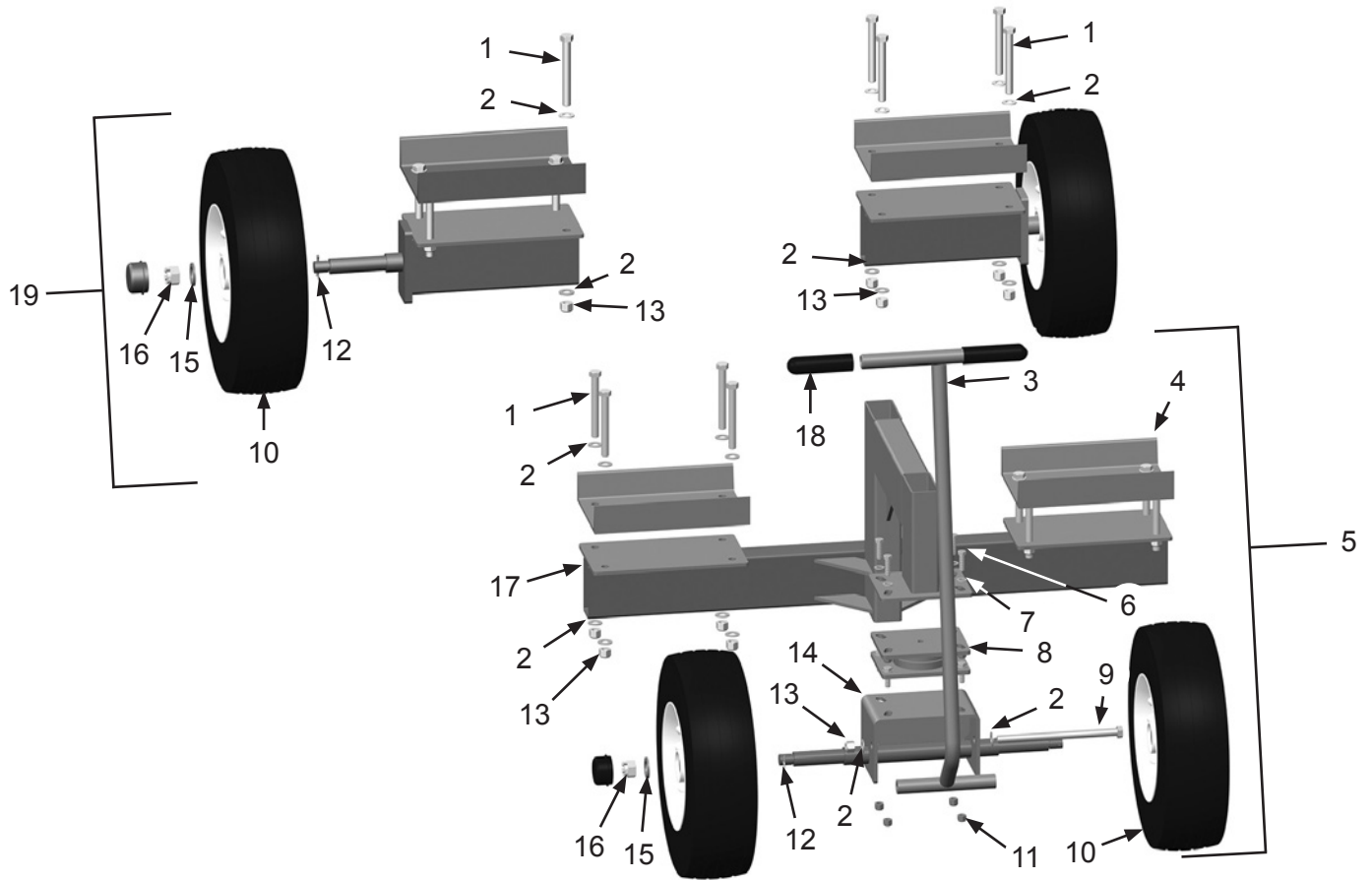
## OPTIONAL ACCESSORIES

### Wheel Conversion Kit

Item#	Part#	Description
<b>Fig. 5</b>		
—	<b>20101076</b>	<b>Wheel Conversion Kit – Complete</b>
1	20100160	1/2-13 x 4-1/2" Hex Bolt <i>(16 Required)</i>
2	10100674	1/2" Flat Washer <i>(34 Required)</i>
3	20100118	Cart Handle
4	20100696	Clamping Channel <i>(Four Required)</i>
5	20100698	Front Wheel Assembly <i>(Includes Item #'s: 1 (Quantity of Eight), 2 (Quantity of 18), 3, 4, 5, 6 (Quantity of Eight), 7 (Quantity of 12), 8, 9, 10, 11 (Quantity of Eight), 12 (Quantity of Two), 13 (Quantity of Nine), 14, 15 (Quantity of Two), 16 (Quantity of Two), 17 (Quantity of Two) and 18 (Quantity of Two))</i>
6	10104234	3/8-16 x 1-1/4" Hex Bolt <i>(Eight Required)</i>
7	1014241	3/8" Flat Washer <i>(16 Required)</i>
8	20100107	Front Swivel
9	20100123	1/2-13 x 8-1/2" Hex Bolt
10	1014241	16" Pneumatic Wheel Assembly <i>(Four Required)</i>
11	20100138	3/8-16 Hex Locknut <i>(Eight Required)</i>
12	20100147	1-1/2" Cotter Pin 7/64" diameter. <i>(Four Required)</i>
13	20100124	1/2-13 Hex Locknut <i>(17 Required)</i>
14	20100114	Front Axle Weldment
15	20100148	1" ID x 1-1/2" OD 10-GA Washer <i>(Four Required)</i>
16	20100149	3/4"-10 Slotted Hex Nut <i>(Four Required)</i>
17	20100693	Front Wheel Weldment
18	1011766	Moisture Separator Grip <i>(Two Required)</i>
19	20100692	Rear Wheel Assembly <i>(Two Required) (Includes Item #'s: 1 (Quantity of Four), 2 (Quantity of Eight), 4, 10, 12, 13 (Quantity of Four), 15, and 16)</i>

# OPTIONAL ACCESSORIES

Figure 5: Wheel Conversion Kit



## OPTIONAL ACCESSORIES

7,250 PSI HEATED HOSE BUNDLES										
Part Numbers	Deadhead	Recirculating	Modified	Moisture-Lock	Airless Spray Hose I.D.	Solvent Hose I.D.	Length			
							50 Ft.	100 Ft.	150 Ft.	200 Ft.
20100272	X				1/4" x 3/8" x 1/2"	1/4"	X			
20100258	X				1/4" x 3/8" x 1/2"	1/4"		X		
20100226	X				1/4" x 3/8" x 1/2"	1/4"			X	
20100450	X				1/4" x 3/8" x 1/2"	1/4"				X
20101075	X		X		1/4" x 3/8" x 1/2"	1/4"	X			
20101077	X		X		1/4" x 3/8" x 1/2"	1/4"		X		
20100451		X			1/4" (Qty of 3) x 3/8" x 1/2"	1/4"	X			
20100452		X			1/4" x 3/8" (Qty of 3) x 1/2"	1/4"		X		
20100453		X			1/4" (Qty of 3) x 3/8" x 1/2"	1/4"			X	
20100454		X			1/4" (Qty of 3) x 3/8" x 1/2"	1/4"				X
20100939		X	X		3/8" (Qty of 3) x 1/2"	1/4"		X		
20100466				X	1/4" x 3/8" x 1/4"	1/4"	X			
20100467				X	1/4" x 3/8" x 1/4"	1/4"		X		
20100468				X	1/4" x 3/8" x 1/4"	1/4"			X	
20100469				X	1/4" x 3/8" x 1/4"	1/4"				X

### DEFINITION OF HOSE TYPE

**Deadhead:** Non-recirculating

**Modified:** For coupling to another modified hose

**Moisture-Lock:** Used for moisture-sensitive coatings

**Recirculating:** Used to recirculate coatings back to the supply tanks from the mix manifold

## LITERATURE REFERENCES

### Spraymaster® MP-70 Spray System

205M011	Features & Specifications Guide – Spraymaster® MP-70 Spray System
206M011	Part Numbers & Schematics Guide – Spraymaster® MP-70 Spray System
2090011	Operator's Manual – Spraymaster® MP-70 Spray System
2090113	Operator's Manual – Spraymaster® 25 Gallon Heated Coatings Tank
209V504	Operator's Manual – Merkur® Pump Assembly
209V505	Operator's Manual – Graco® Mix Manifold
209V506	Operator's Manual – Graco® Viscon High Pressure Fluid Heater
209V509	Operator's Manual – Graco® NXT® Air Motor
209V021	Operator's Manual – Graco® Xtreme® Lowers
209V510	Operator's Manual – Graco® Merkur® Displacement Pump
209V512	Operator's Manual – Graco® Low Volume Air Regulators
209V503	Operator's Manual – Graco® XP™ Proportioners

## GLOBAL HEADQUARTERS

- 3425 East Locust Street  
Davenport, IA 52803

ph: 800.BLAST.IT (800.252.7848)  
ph: 563.324.2519  
fax: 563.324.6258

## REGIONAL BRANCH OFFICES

- **Iowa**  
Davenport
- **Louisiana**  
Gonzales  
Harvey  
Lafayette
- **Ohio**  
Youngstown
- **Texas**  
Beaumont  
Corpus Christi  
Deer Park



ABRASIVES

BLASTING

COATING

DUST COLLECTORS

ENGINEERED SYSTEMS

RENTAL

SAFETY

SERVICE & REPAIR

VACUUMS

## 40+ NATIONWIDE SHIPPING LOCATIONS



★ Marco Regional Branch Offices  
and Shipping Locations

● Direct Shipping Locations

## CONTACT MARCO

**800.BLAST.IT**  
**(800.252.7848)**  
**563.324.2519**  
**FAX: 563.324.6258**

**WWW.MARCO.US**  
**SALES@MARCO.US**