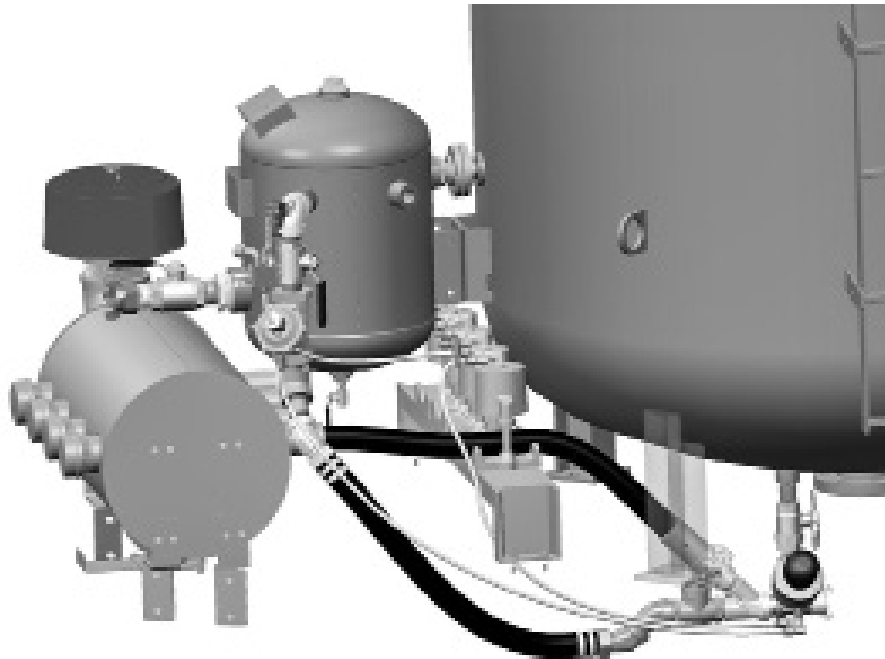




BLASTMASTER® KWIKSTOP DEPRESSURIZATION SYSTEM – S-STYLE BLAST POTS



**BUILT MARCO
TOUGH**
MARCO MANUFACTURED

PART NUMBERS AND SCHEMATICS GUIDE

Company Profile

Since 1944, Marco has developed a strong tradition of providing innovative and reliable products and services to the surface preparation and protective coatings industries. We are the world's premier provider of Abrasives, Blasting, Coating, Dust Collectors, Engineered Systems, Rental, Safety, Service, Repair, & Modernization, and Vacuums.

Through innovative designs and a total commitment to quality, Marco manufactures products that increase production rates, create a safer workplace, and reduce maintenance costs. Marco's industry experience, manufacturing capabilities, legendary customer service, product availability, logistics services, and technology leadership is your assurance that we deliver high quality products and services, providing the best value to you, our customer.

The Marco Difference

- **Industry Experience** – With Marco on your team, you have access to expertise which can only come from decades of industry leadership. We have organized our engineering department, production specialists, customer operations, and safety support into a “Center of Competence.” As a Marco customer, you have access to hundreds of years of cumulative experience related to your operations.
- **Manufacturing Excellence** – Marco is a U.S. based, ISO 9001:2008 certified manufacturer of equipment for the Surface Preparation and Protective Coatings industries. Marco's engineers benchmark the industry to ensure that we design and manufacture superior products that set the “Gold Standard” for performance, safety, and quality.
- **Legendary Customer Service** – Marco's legendary customer service team is staffed by friendly, highly-trained individuals who are focused on providing the highest level of product support, order accuracy, and customer satisfaction.
- **Product Availability** – We stock over 10,000 SKU's and have more than 45 shipping locations to serve North American and International markets for all major brands of blasting and coating equipment. As the largest provider of surface preparation and protective coatings equipment in the world, our inventory levels and product availability are unmatched.
- **Logistics Services** – Marco's in-house logistics team is dedicated to moving your shipment anywhere in the world. We move more than 14,000 truckloads every year, allowing you to save on freight costs by leveraging our buying power. Lower your process costs with a single invoice, which includes product and freight.
- **Technology Leadership** – Our website provides: Operator's Manuals, Part Numbers and Schematics Guides, SDS information, and Features & Specifications Guides, providing access to information 24/7. Our Extranet application allows you to receive quotes and place orders online. Our Intranet maintains a complete record of your purchase history to assist with ongoing support of your existing equipment and future purchasing decisions.

Vision Statement

Marco is the world's premier provider of Abrasives, Blasting, Coating, Dust Collectors, Engineered Systems, Rental, Safety, Service, Repair, & Modernization, and Vacuums.

Mission Statement

Marco provides strong leadership and innovation to the surface preparation and protective coatings industries. We dedicate our efforts to the continuous improvement of our products, services, processes, people, and most importantly, the quality of our customer's experience.

Quality Statement

Marco is committed to providing superior quality in the design, manufacturing, distribution, rental, service, and repair of our products. Our ISO 9001:2008 certification extends throughout all operations in all locations. Continuous improvement of our processes and supply chain Integration comprise the core of our business strategy for delivering exceptional quality and value in all Marco products and services.

Management Philosophy

We are a company dedicated to the success of every customer and associate. We discuss, debate, challenge, measure, and test our ideas. We will be boundless and limitless in our passion to improve. Through sound leadership and dedicated associates, we will ensure a long term, profitable future for Marco, our associates, customers, and suppliers.

TABLE OF CONTENTS

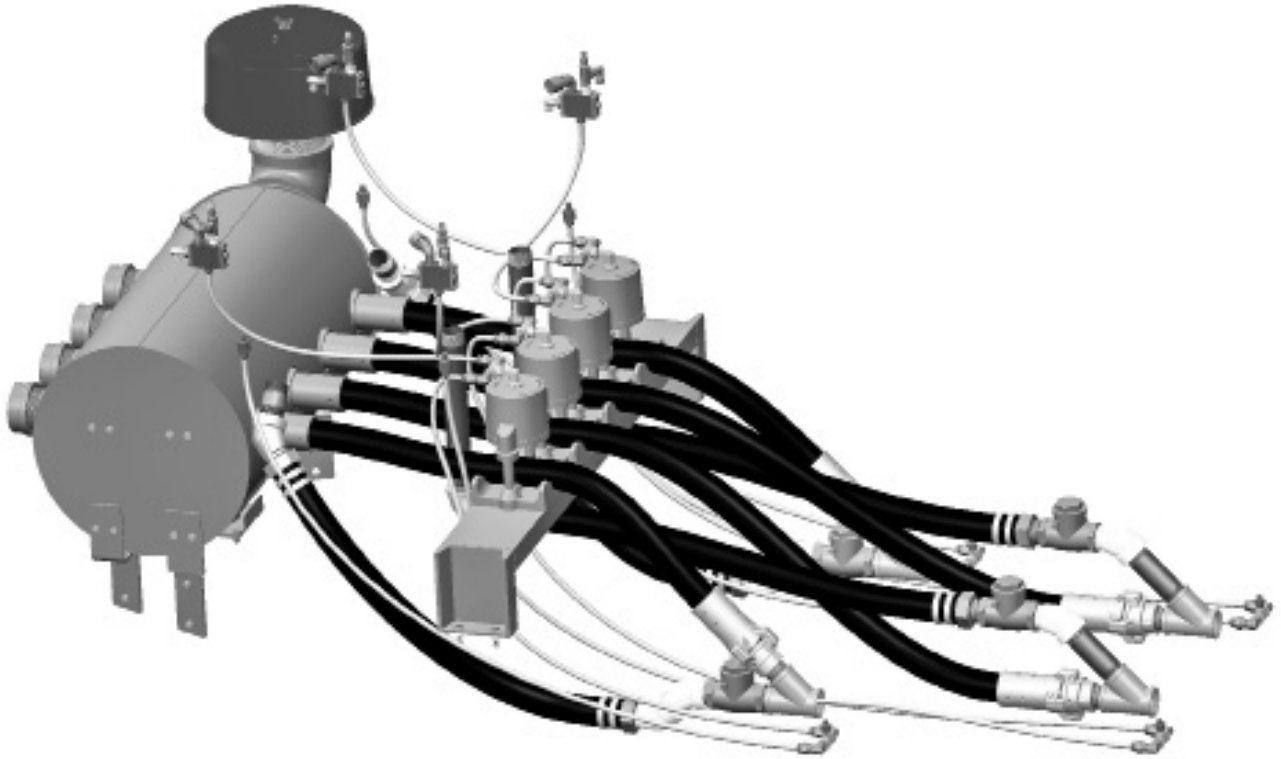
Company Profile	1
Part Numbers	3
Assembly Part Numbers & Schematics	5
KwikStop Depressurization System Assembly - 12-Volt DC 190 Electric Control Assembly	5-6
KwikStop Depressurization System Assembly - 12-Volt AC 190 Electric Control Assembly	7-8
KwikStop Depressurization System Assembly - 190 Pneumatic Control Valve	9-10
Chamber Assembly	11-12
12-Volt DC 190 Electric Control Assembly	13
12-Volt DC 190 Electric Control Valve	14
12-Volt AC 190 Electric Control Assembly	15
12-Volt AC 190 Electric Control Valve	16
120-Volt AC to 12-Volt AC Power Converter	17
190 Pneumatic Control Valve	18

PART NUMBERS

Part Numbers	BLASTMASTER® KWIKSTOP DEPRESSURIZATION SYSTEM			
	12-Volt DC 190 Electric Control Assembly	12-Volt AC 190 Electric Control Assembly	190 Pneumatic Control Valve	Number of Outlets
10108611	X			2
10108610	X			3
10108609	X			4
10108614		X		2
10108613		X		3
10108612		X		4
10108617			X	2
10108616			X	3
10108615			X	4

**Based on varying configurations, some additional parts or customization may be required*

PART NUMBERS



All Blastmaster® KwikStop Depressurization Systems include:

- Blastmaster® PV400 Remote Control Valves
- Chamber Assembly with Hoses
- Air Exhaust Filter

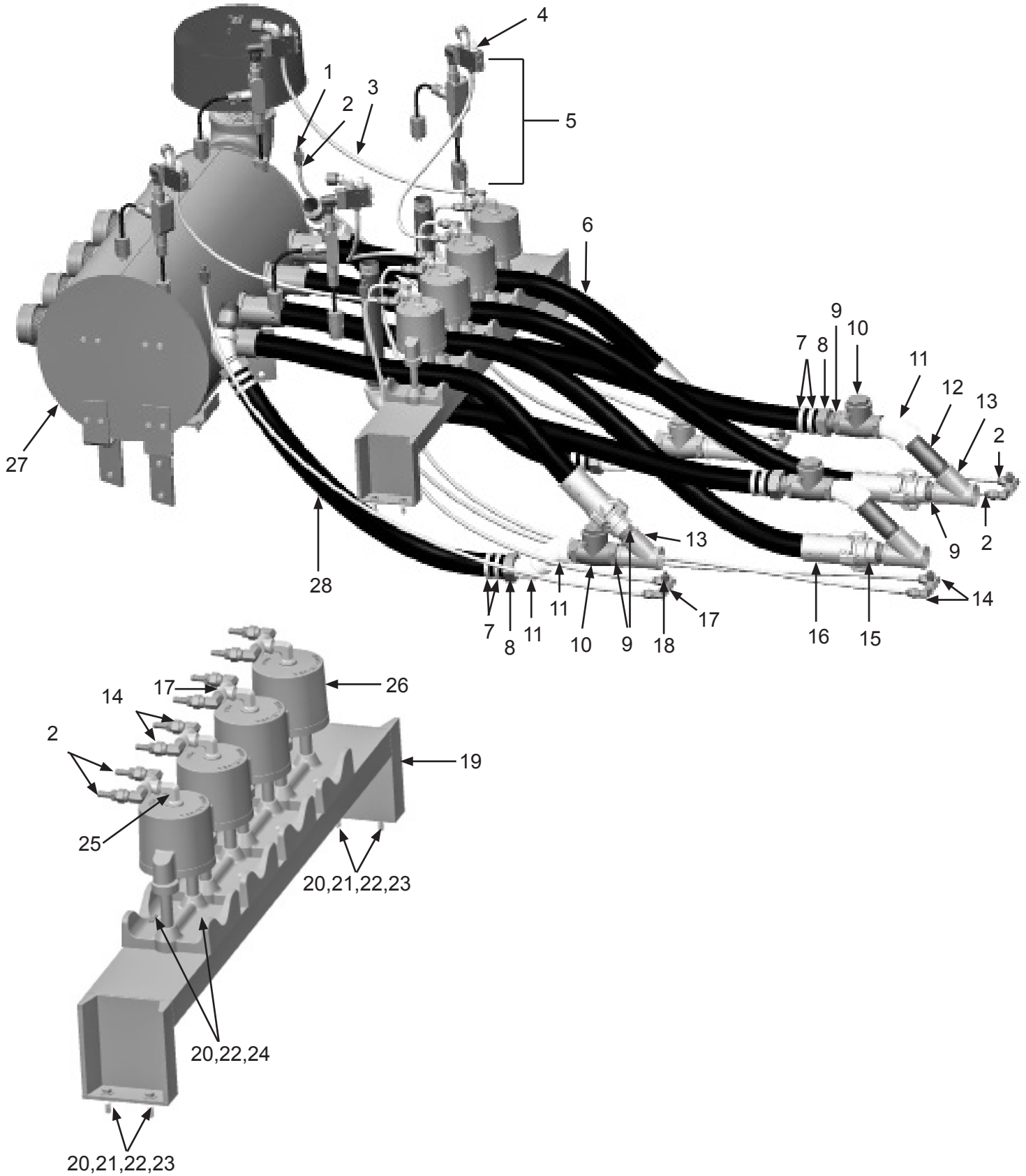
ASSEMBLY PART NUMBERS & SCHEMATICS

KwikStop Depressurization System Assembly - 12-Volt DC 190 Electric Control Assembly

Item #	Part #	Description
Fig. 1		
—	10108609	Blastmaster® KwikStop - 12-Volt DC 190 - 4-PORT – Complete
—	10108610	Blastmaster® KwikStop - 12-Volt DC 190 - 3-PORT – Complete
—	10108611	Blastmaster® KwikStop - 12-Volt DC 190 - 2-PORT – Complete
1	20PFHA24SG0406	1/4" x 3/8" Hex Reducer <i>(One Required Per Outlet)</i>
2	10103631	3/8" Barb x 3/8" NPTF Brass <i>(Six Required Per Outlet)</i>
3	10AH038	Air Hose 3/8" I.D. 300 PSI - Black <i>(Per Foot)</i>
4	20PFHA24SA0604	1/4" x 3/8" Hex Nipple <i>(One Required Per Outlet)</i>
5	10106491	Marco 190 12-Volt DC Assembly <i>(One Required Per Outlet. See Figure 5)</i>
6	10BH1122XR	Blastmaster® 1-1/2" Xtreme-Duty Abrasive Blasting Hose <i>(per foot)</i>
7	10AHCL1	Band Clamp <i>(Four Required Per Outlet)</i>
8	10SFE4	1-1/2" Swivel Female End <i>(Two Required Per Outlet)</i>
9	1011849	1-1/2" Close Nipple Schedule 80 <i>(Three Required Per Outlet)</i>
10	10106486	1-1/2" Horizontal Swing Check Valve <i>(One Required Per Outlet)</i>
11	1011805	1-1/2" x 45° Elbow <i>(One Per Rear Outlet Required. Three Per Front Outlet Required)</i>
12	1011211	1-1/2" NPT x 5-1/2" Galvanized Nipple <i>(One Per Rear Outlet Required)</i>
13	10105025	1-1/2" WYE Fitting <i>(One Required Per Outlet)</i>
14	20PFHA60UA0606	3/8" (M) x 3/8" (F) 90° Swivel Union <i>(Four Required Per Outlet)</i>
15	10SA3X	1-1/2" Oversized Tank Coupling <i>(One Required Per Outlet)</i>
16	10QAL4X	1-1/2" Aluminum Oversized Coupling <i>(One Required Per Outlet)</i>
17	1011809	3/8" Pipe Tee <i>(Two Required Per Outlet)</i>
18	20PFHA24SA0602	1/8" x 3/8" Hex Nipple <i>(One Required Per Outlet)</i>
19	10108605	PV400 Mount
20	10101936	3/8" Lock Washer <i>(12 Required)</i>
21	20101171	3/8-16 x 1-1/2" L Zinc HHCS <i>(Four Required)</i>
22	10102331	3/8" SAE Flat Washer Zinc <i>(16 Required)</i>
23	1012318	3/8-16 HD Hex Nut <i>(Four Required)</i>
24	10104234	3/8-16 x 1-1/4" Bolt Galvanized <i>(Two Required Per Outlet)</i>
25	20PFHA25UA0606	3/8" Male 90° Elbow <i>(One Required Per Outlet)</i>
26	10106832	Blastmaster® 3/8" PV400 Remote Control Valve <i>(One Required Per Outlet)</i>
27	—	Chamber Assembly <i>(See Figure 4)</i>
28	10AH112B	Air Hose 1-1/2" I.D. 200 PSI - Black <i>(Per Foot)</i>
—	106M161	Part Numbers & Schematics Guide – Blastmaster® KwikStop Depressurization System
—	1090161	Operator's Manual – Blastmaster® KwikStop Depressurization System

SCHEMATIC

Figure 1: KwikStop Depressurization System Assembly - 12-Volt DC 190 Electric



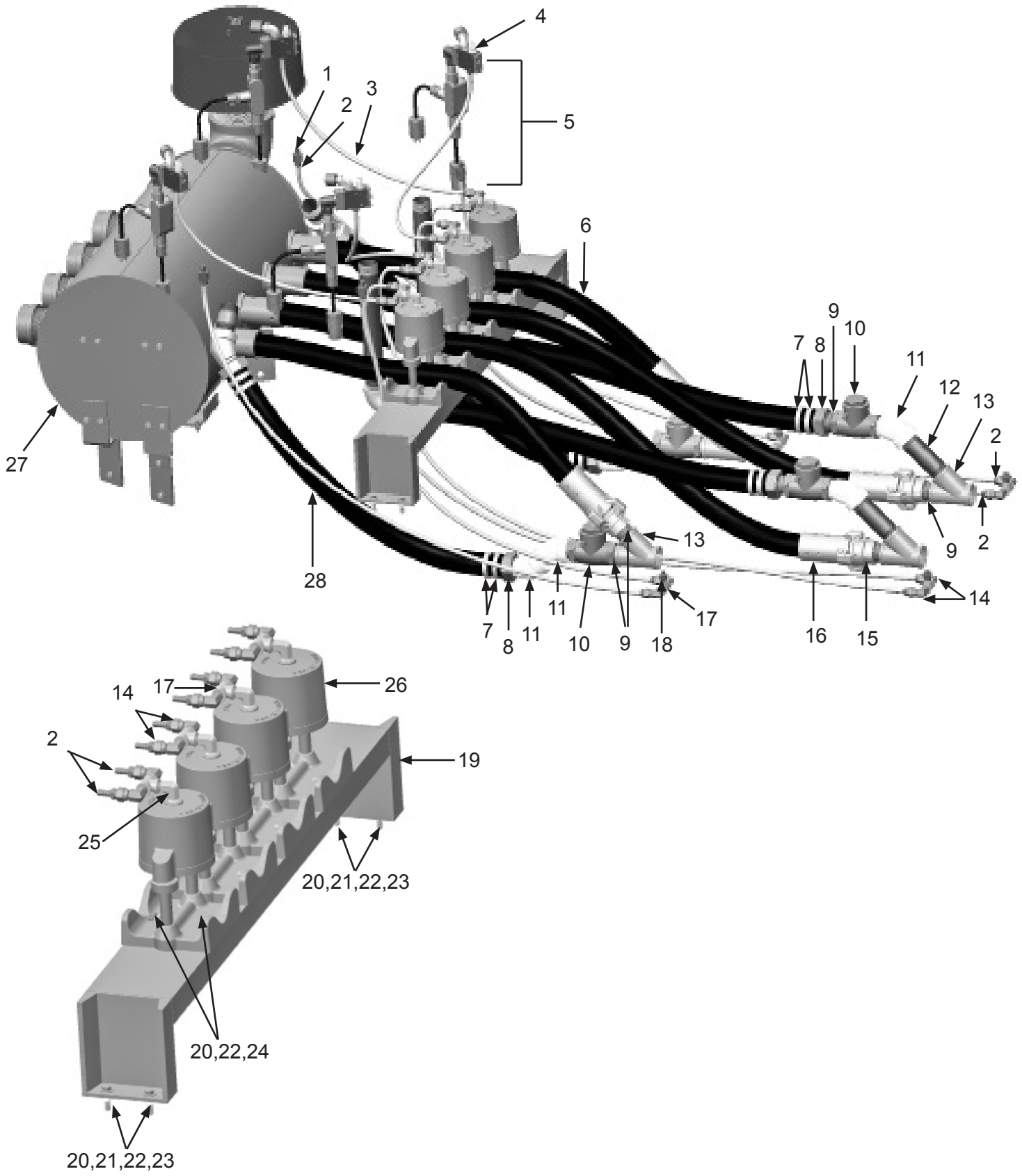
PART NUMBERS

KwikStop Depressurization System Assembly - 12-Volt AC 190 Electric Control Assembly

Item #	Part #	Description
Fig. 2		
—	10108612	Blastmaster® KwikStop S-Style - 12-Volt AC 190 - 4-PORT— Complete
—	10108613	Blastmaster® KwikStop S-Style - 12-Volt AC 190 - 3-PORT— Complete
—	10108614	Blastmaster® KwikStop S-Style - 12-Volt AC 190 - 2-PORT— Complete
1	20PFHA24SG0406	1/4" x 3/8" Hex Reducer <i>(One Required Per Outlet)</i>
2	10103631	3/8" Barb x 3/8" NPTF Brass <i>(Six Required Per Outlet)</i>
3	10AH038	Air Hose 3/8" I.D. 300 PSI - Black <i>(Per Foot)</i>
4	20PFHA24SA0604	1/4" x 3/8" Hex Nipple <i>(One Required Per Outlet)</i>
5	10106901	Marco 190 12-Volt AC Assembly <i>(One Required Per Outlet. See Figure 7)</i>
6	10BH1122XR	Blastmaster® 1-1/2" Xtreme-Duty Abrasive Blasting Hose <i>(per foot)</i>
7	10AHCL1	Band Clamp <i>(Four Required Per Outlet)</i>
8	10SFE4	1-1/2" Swivel Female End <i>(Two Required Per Outlet)</i>
9	1011849	1-1/2" Close Nipple Schedule 80 <i>(Three Required Per Outlet)</i>
10	10106486	1-1/2" Horizontal Swing Check Valve <i>(One Required Per Outlet)</i>
11	1011805	1-1/2" x 45° Elbow <i>(One Per Rear Outlet Required. Three Per Front Outlet Required)</i>
12	1011211	1-1/2" NPT x 5-1/2" Galvanized Nipple <i>(One Per Rear Outlet Required)</i>
13	10105025	1-1/2" WYE Fitting <i>(One Required Per Outlet)</i>
14	20PFHA60UA0606	3/8" (M) x 3/8" (F) 90° Swivel Union <i>(Four Required Per Outlet)</i>
15	10SA3X	1-1/2" Oversized Tank Coupling <i>(One Required Per Outlet)</i>
16	10QAL4X	1-1/2" Aluminum Oversized Coupling <i>(One Required Per Outlet)</i>
17	1011809	3/8" Pipe Tee <i>(Two Required Per Outlet)</i>
18	20PFHA24SA0602	1/8" x 3/8" Hex Nipple <i>(One Required Per Outlet)</i>
19	10108605	PV400 Mount
20	10101936	3/8" Lock Washer <i>(12 Required)</i>
21	20101171	3/8-16 x 1-1/2" L Zinc HHCS <i>(Four Required)</i>
22	10102331	3/8" SAE Flat Washer Zinc <i>(16 Required)</i>
23	1012318	3/8-16 HD Hex Nut <i>(Four Required)</i>
24	10104234	3/8-16 x 1-1/4" Bolt Galvanized <i>(Two Required Per Outlet)</i>
25	20PFHA25UA0606	3/8" Male 90° Elbow <i>(One Required Per Outlet)</i>
26	10106832	Blastmaster® 3/8" PV400 Remote Control Valve <i>(One Required Per Outlet)</i>
27	—	Chamber Assembly <i>(See Figure 4)</i>
28	10AH112B	Air Hose 1-1/2" I.D. 200 PSI - Black <i>(Per Foot)</i>
—	106M161	Part Numbers & Schematics Guide – Blastmaster® KwikStop Depressurization System
—	1090161	Operator's Manual – Blastmaster® KwikStop Depressurization System

SCHEMATIC

Figure 2: KwikStop Depressurization System Assembly - 12-Volt AC 190 Electric



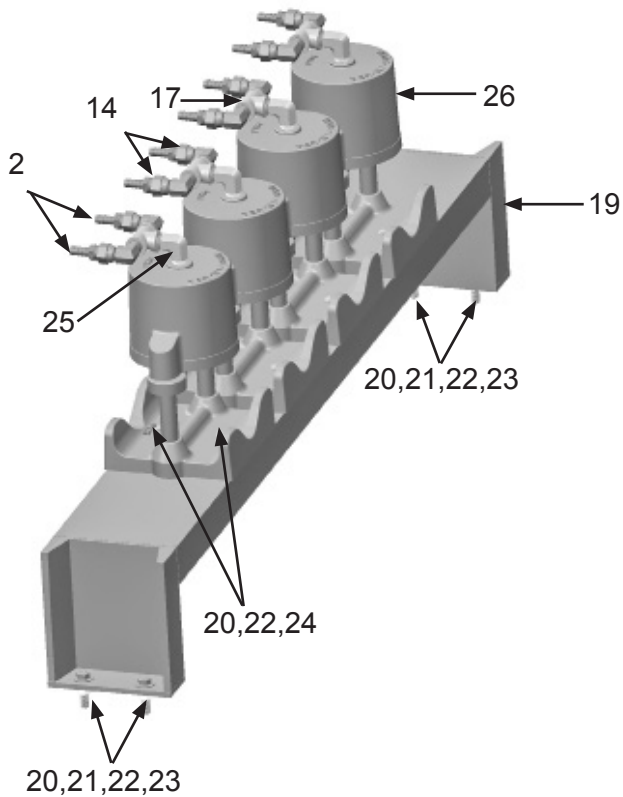
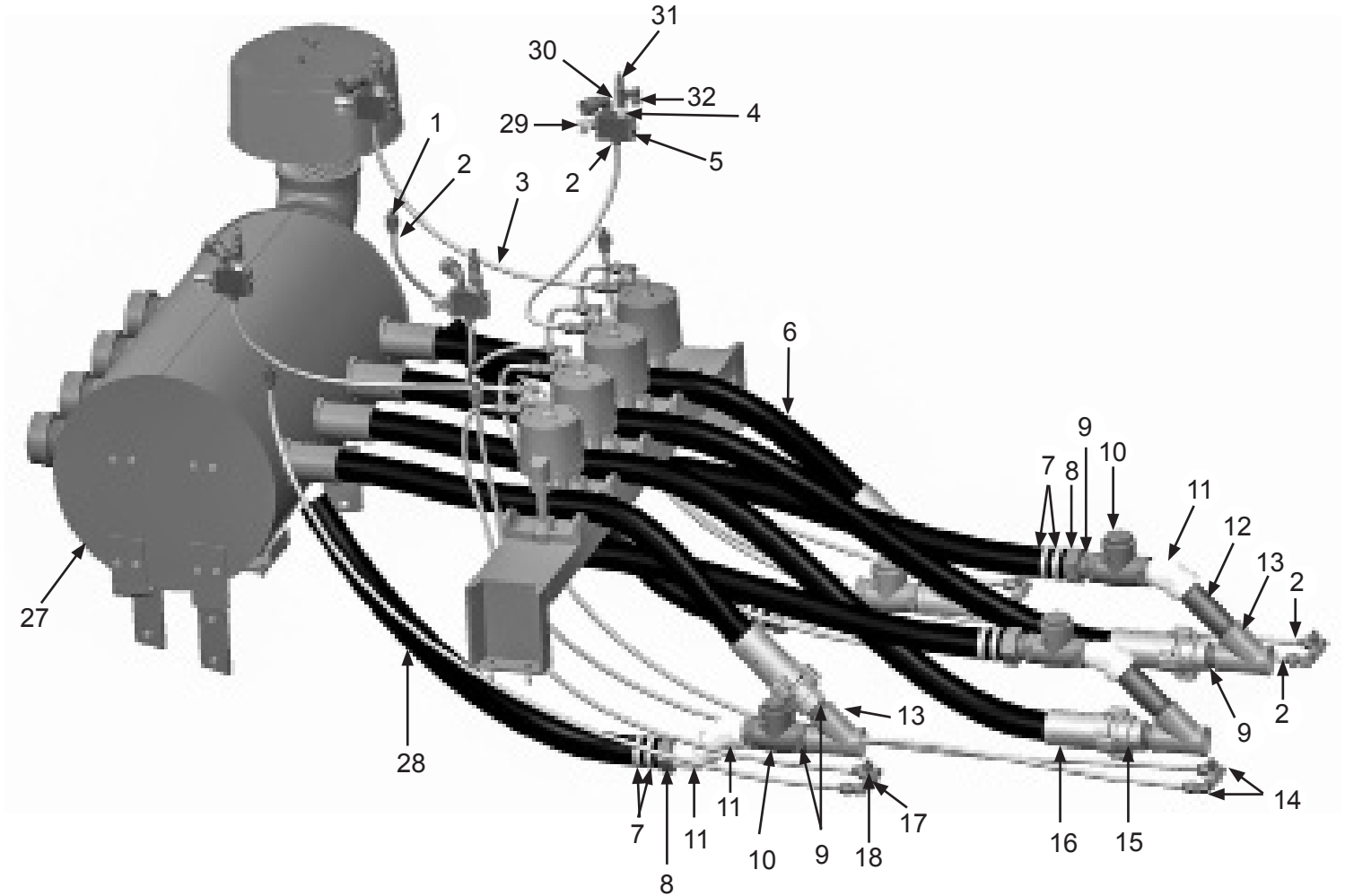
PART NUMBERS

KwikStop Depressurization System Assembly - 190 Pneumatic Control Valve

Item #	Part #	Description
Fig. 3		
—	10108615	Blastmaster® KwikStop S-Style - Pneumatic - 4-PORT— Complete
—	10108616	Blastmaster® KwikStop S-Style - Pneumatic - 3-PORT— Complete
—	10108617	Blastmaster® KwikStop S-Style - Pneumatic - 2-PORT— Complete
1	20PFHA24SG0406	1/4" x 3/8" Hex Reducer <i>(One Required Per Outlet)</i>
2	10103631	3/8" Barb x 3/8" NPTF Brass <i>(Six Required Per Outlet)</i>
3	10AH038	Air Hose 3/8" I.D. 300 PSI - Black <i>(Per Foot)</i>
4	20PFHA24SA0604	1/4" x 3/8" Hex Nipple <i>(One Required Per Outlet)</i>
5	10106901	Marco 190 12-Volt AC Assembly <i>(One Required Per Outlet. See Figure 10)</i>
6	10BH1122XR	Blastmaster® 1-1/2" Xtreme-Duty Abrasive Blasting Hose <i>(per foot)</i>
7	10AHCL1	Band Clamp <i>(Four Required Per Outlet)</i>
8	10SFE4	1-1/2" Swivel Female End <i>(Two Required Per Outlet)</i>
9	1011849	1-1/2" Close Nipple Schedule 80 <i>(Three Required Per Outlet)</i>
10	10106486	1-1/2" Horizontal Swing Check Valve <i>(One Required Per Outlet)</i>
11	1011805	1-1/2" x 45° Elbow <i>(One Per Rear Outlet Required. Three Per Front Outlet Required)</i>
12	1011211	1-1/2" NPT x 5-1/2" Galvanized Nipple <i>(One Per Rear Outlet Required)</i>
13	10105025	1-1/2" WYE Fitting <i>(One Required Per Outlet)</i>
14	20PFHA60UA0606	3/8" (M) x 3/8" (F) 90° Swivel Union <i>(Four Required Per Outlet)</i>
15	10SA3X	1-1/2" Oversized Tank Coupling <i>(One Required Per Outlet)</i>
16	10QAL4X	1-1/2" Aluminum Oversized Coupling <i>(One Required Per Outlet)</i>
17	1011809	3/8" Pipe Tee <i>(Two Required Per Outlet)</i>
18	20PFHA24SA0602	1/8" x 3/8" Hex Nipple <i>(One Required Per Outlet)</i>
19	10108605	PV400 Mount
20	10101936	3/8" Lock Washer <i>(12 Required)</i>
21	20101171	3/8-16 x 1-1/2" L Zinc HHCS <i>(Four Required)</i>
22	10102331	3/8" SAE Flat Washer Zinc <i>(16 Required)</i>
23	1012318	3/8-16 HD Hex Nut <i>(Four Required)</i>
24	10104234	3/8-16 x 1-1/4" Bolt Galvanized <i>(Two Required Per Outlet)</i>
25	20PFHA25UA0606	3/8" Male 90° Elbow <i>(One Required Per Outlet)</i>
26	10106832	Blastmaster® 3/8" PV400 Remote Control Valve <i>(One Required Per Outlet)</i>
27	—	Chamber Assembly <i>(See Figure 4)</i>
28	10AH112B	Air Hose 1-1/2" I.D. 200 PSI - Black <i>(Per Foot)</i>
29	1014239	1/8" x 1/8" 90° Swivel
30	1011844	1/4" Galvanized Pipe Tee
31	20PFHA24SA0404	1/4" Hex Nipple
32	1012326	1/4" x 1/4" 90° Swivel
—	106M161	Part Numbers & Schematics Guide – Blastmaster® KwikStop Depressurization System
—	1090161	Operator's Manual – Blastmaster® KwikStop Depressurization System

SCHEMATIC

Figure 3: KwikStop Depressurization System Assembly - 190 Pneumatic Control Valve



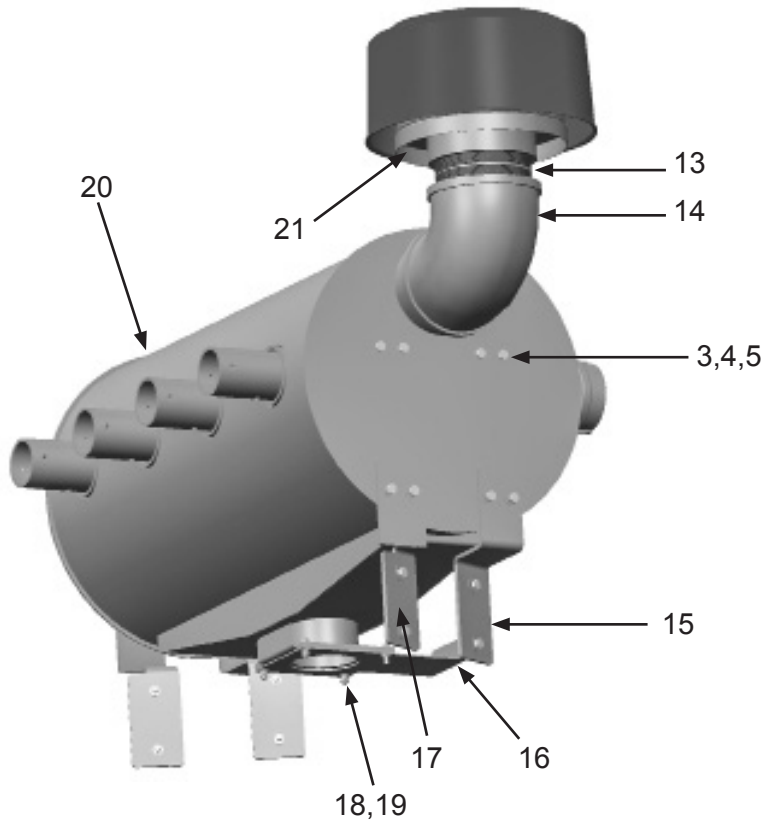
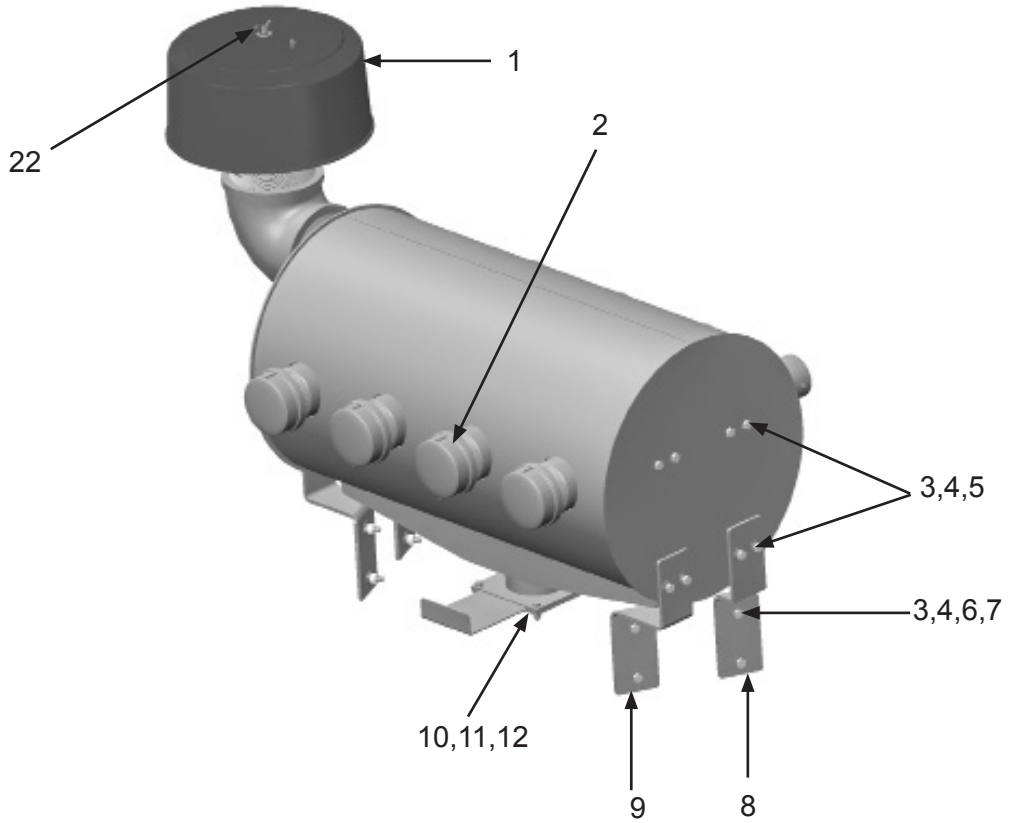
PART NUMBERS

Chamber Assembly

Item #	Part #	Description
Fig. 4		
1	10106463	5" MNPT Air Exhaust Filter
2	10105656	Chamber Body End Cap (<i>One Required Per Outlet</i>)
3	10101936	3/8" Lock Washer (<i>24 Required</i>)
4	10102331	3/8" Flat Washer (<i>24 Required</i>)
5	10104234	3/8-16 x 1-1/4" Hex Bolt Zinc Grade 5 (<i>16 Required</i>)
6	1012318	3/8-16 HD Hex Nut (<i>8 Required</i>)
7	10101936	3/8" Zinc Lock Washer
8	10108604	Tank Bracket – Rear Left
9	10108603	Tank Bracket – Front Left
10	1012154	1/4-20 x 1" Bolt (<i>Four Required</i>)
11	1012153	1/4" Lock Washer (<i>Four Required</i>)
12	10101347	1/4-20 Hex Nut (<i>Four Required</i>)
13	10106487	5" Close Nipple
14	10106462	5" 90° Pipe Elbow
15	10108599	Tank Bracket – Front Right
16	10104947	Slide Gate
17	10108600	Tank Bracket – Rear Right
18	10104945	Slide Gate Bolt Plate
19	10104946	Slide Gate Slide Bar (<i>Two Required</i>)
20	10105665	Chamber Weldment
21	10106464	Wire Mesh Element
22	10108479	3/8-16 Zinc Wing Nut

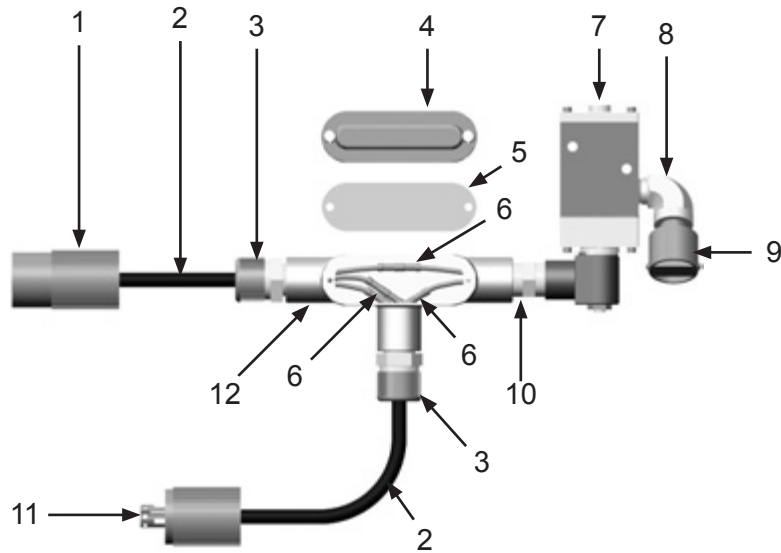
SCHEMATICS

Figure 4: Chamber Assembly



PART NUMBERS & SCHEMATIC

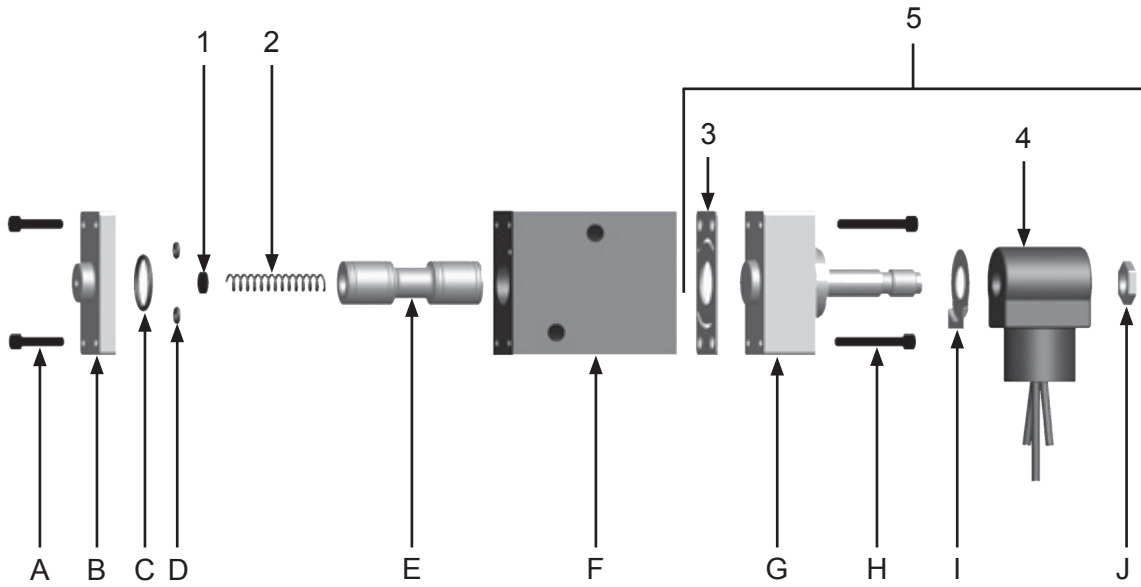
Figure 5: 12-Volt DC 190 Electric Control Assembly



Item #	Part #	Description
Fig. 5		
—	10106491	12-Volt DC 190 Electric Control Assembly – Complete
1	1015556	3-prong Twist-Lock Plug – Female
2	1015540	16/2 SJ Electric Cord – per foot
3	1019021	Cord Grip (<i>Two Required</i>)
4	1019022	Conduit Box Cover
5	1019023	Conduit Box Cover Gasket
6	1030028	Butt Splicer (<i>Four Required</i>)
7	10106460	12-Volt DC Electric Control Valve – Complete
8	20PFHA25UG0606	3/8" Street Elbow
9	10DE038	Dust Eliminator
10	20100677	1/2" x 1/2" NPT Hex Nipple
11	1015555	3-prong Twist-Lock Plug – Male
12	1019020	1/2" Tee Conduit Box
—	1091045	Hazard Identification Tag

PART NUMBERS & SCHEMATIC

Figure 6: 12-Volt DC 190 Electric Control Valve

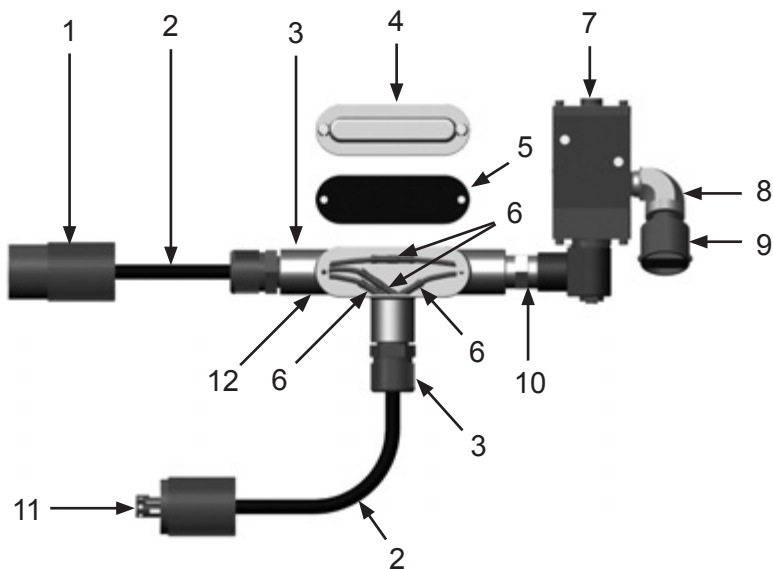


Item #	Part #	Description
Fig. 6		
—	10106460	12-Volt DC 190 Electric Control Valve – Complete
1	1019029	Felt Filter
2	1019032	Spring
3	1019033	Gasket
4	1019039	12-Volt DC Coil
5	1019034	12-Volt DC Operator Assembly (Includes Items: #3, #4, G, H, I, and J)
—	1019030	Electric Control Valve Repair Kit (Includes Items: #1, #2, #3, C, D, and E)

* Items A–J are not available individually

PART NUMBERS & SCHEMATIC

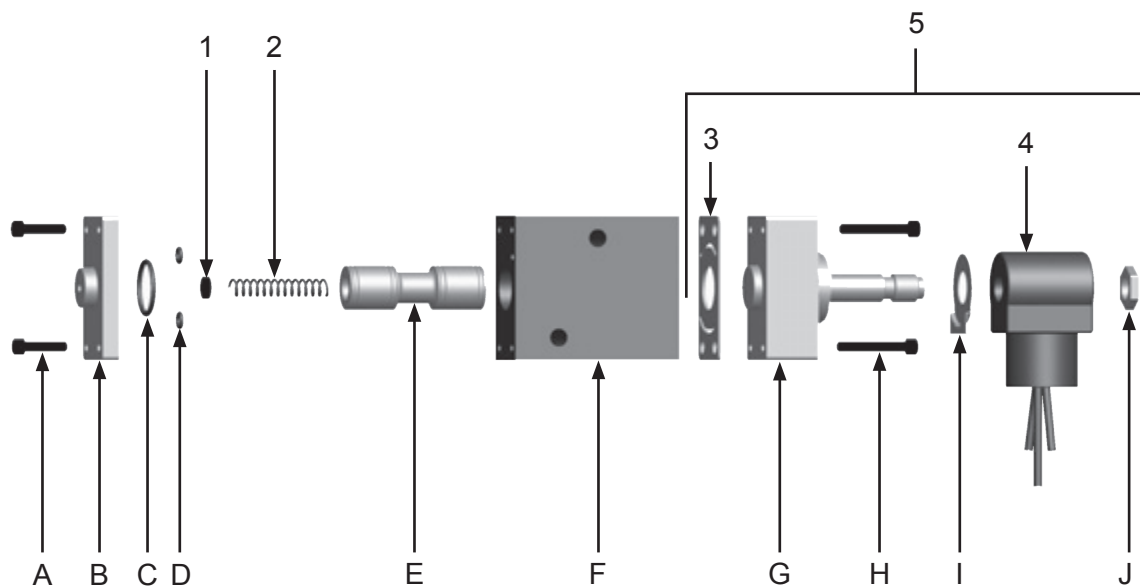
Figure 7: 12-Volt AC 190 Electric Control Assembly



Item #	Part #	Description
Fig. 7		
—	10106901	12-Volt AC 190 Electric Control Assembly – Complete
1	1015556	3-prong Twist-Lock Plug – Female
2	1015540	16/2 SJ Electric Cord – per foot
3	1019021	Cord Grip (<i>Two Required</i>)
4	1019022	Conduit Box Cover
5	1019023	Conduit Box Cover Gasket
6	1030028	Butt Splicer (<i>Four Required</i>)
7	10106900	12-Volt AC Electric Control Valve – Complete
8	20PFHA25UG0606	3/8" Street Elbow
9	10DE038	Dust Eliminator
10	20100677	1/2" x 1/2" NPT Hex Nipple
11	1015555	3-prong Twist-Lock Plug – Male
12	1019020	1/2" Tee Conduit Box
—	1091045	Hazard Identification Tag

PART NUMBERS & SCHEMATIC

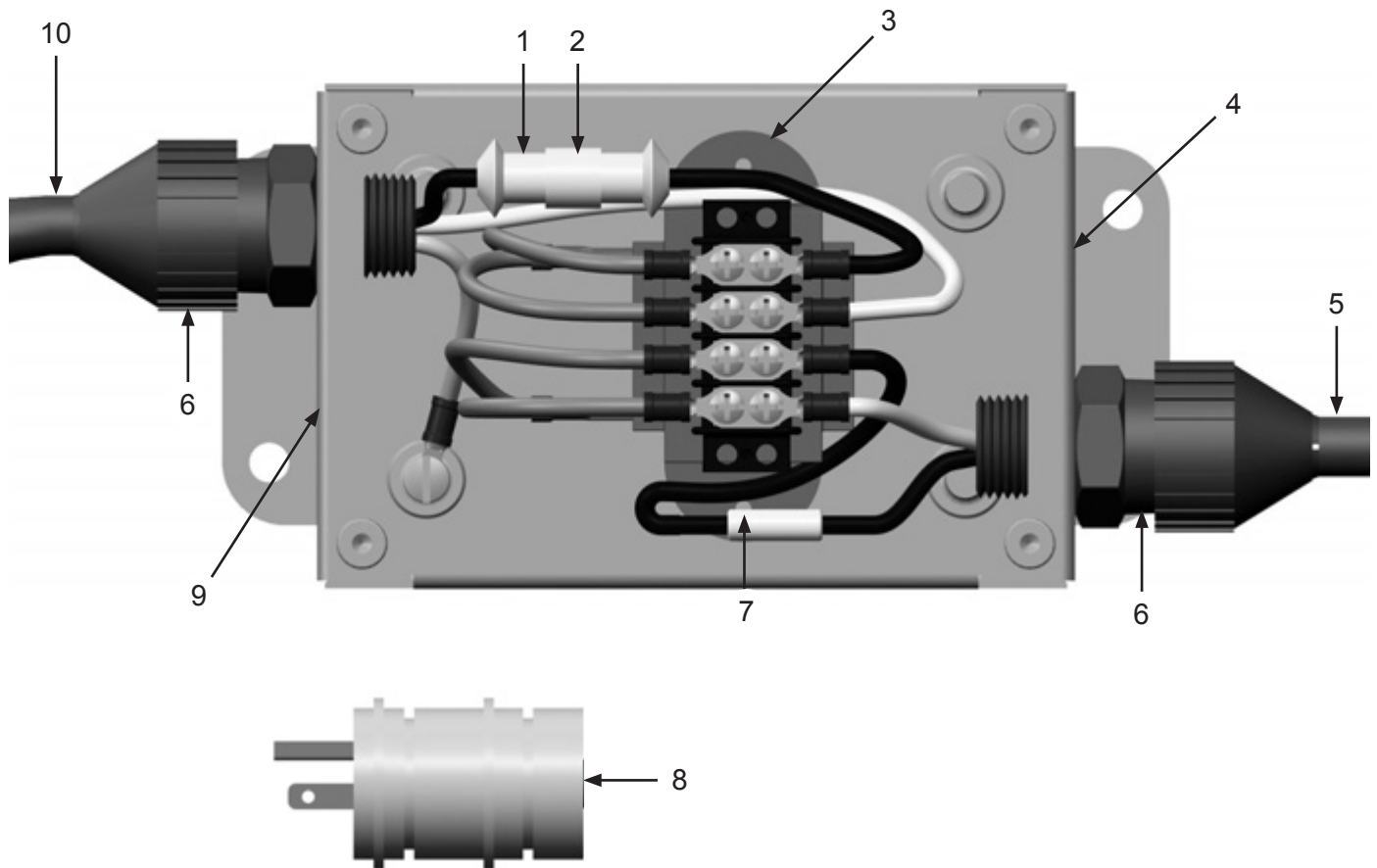
Figure 8: 12-Volt AC 190 Electric Control Valve



Item #	Part #	Description
Fig. 8		
—	1016900	3/8" 12-Volt AC 190 Electric Control Valve – Complete
1	1019029	Felt Filter
2	1019032	Spring
3	1019033	Gasket
4	1019040	12-Volt AC Coil
5	1019035	12-Volt AC Electric Operator Assembly <i>(Includes Items: #3, #4, G, H, I, and J)</i>
—	1019030	12-Volt AC Electric Control Valve Repair Kit <i>(Includes Items: #1, #2, #3, C, D, and E)</i>
<i>* Items A–J are not available individually</i>		

PART NUMBERS & SCHEMATIC

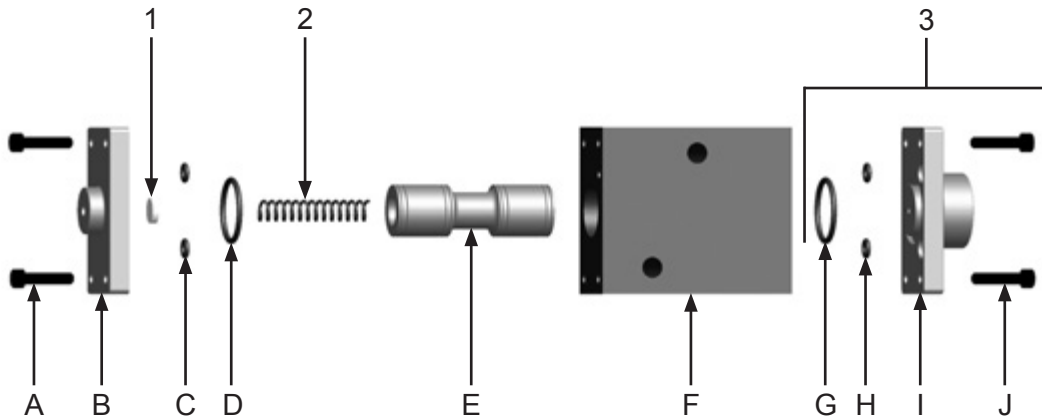
Figure 9: 120-Volt AC to 12-Volt AC Power Converter



Item #	Part #	Description
Fig. 9		
—	10100713	Blastmaster® 120-Volt AC to 12-Volt AC Power Converter with 3 feet of 14/2 Electric Cord and Plug – Complete
1	1030123	3 Amp Fuse
2	1030023	In-Line Fuse Holder
3	1030022	Transformer – Blastmaster 120-Volt AC to 12-Volt AC Power Converter
4	1091067	Power-Out Decal (<i>Not Shown</i>)
5	1030013	14/2 SEOW Electric Cord (<i>Per Foot</i>)
6	1030025	Strain Relief (<i>Two Required</i>)
7	1030021	Resistor
8	1030026	3-prong, 120-Volt AC Plug – Male
9	1092014	Power-In Decal (<i>Not Shown</i>)
10	1015550	14/3 SEOW Electric Cord (<i>Per Foot</i>)
—	1091063	Hazard Identification Decal

PART NUMBERS & SCHEMATIC

Figure 10: 190 Pneumatic Control Valve



Item #	Part #	Description
--------	--------	-------------

Fig. 10

—	10106815	3/8" Port 190 Pneumatic Control Valve – Normally-Closed – Complete
---	-----------------	---

1	1019029	Felt Filter
---	---------	-------------

2	1019032	Spring
---	---------	--------

3	1019027	Pneumatic Control Valve Operator Assembly (Includes Items: G, H, I, and J)
---	---------	---

4	1019028	Pneumatic Control Valve Service Kit (Includes Items: #1, #2, C, D, E, G, and H)
---	---------	--

* Items A–J are not available individually

GLOBAL HEADQUARTERS

- 3425 East Locust Street
Davenport, IA 52803

ph: 800.BLAST.IT (800.252.7848)
ph: 563.324.2519
fax: 563.324.6258

REGIONAL BRANCH OFFICES

- **Iowa**
Davenport
- **Louisiana**
Gonzales
Lafayette
- **Ohio**
Youngstown
- **Texas**
Beaumont
Corpus Christi
Deer Park



ABRASIVES
BLASTING
COATING
DUST COLLECTORS
ENGINEERED SYSTEMS
RENTAL
SAFETY
SERVICE, REPAIR, & MODERNIZATION
VACUUMS

40+ NATIONWIDE SHIPPING LOCATIONS



★ Marco Regional Branch Offices and Shipping Locations ● Direct Shipping Locations

CONTACT MARCO

800.BLAST.IT
(800.252.7848)
563.324.2519
FAX: 563.324.6258

WWW.MARCO.US
SALES@MARCO.US