



# BLASTMASTER® ABRASIVE BLASTING POT MUFFLERS



**BUILT MARCO TOUGH**  
MARCO MANUFACTURED

**PART NUMBERS AND SCHEMATICS GUIDE**

## Company Profile

Since 1944, Marco has developed a strong tradition of providing innovative and reliable products and services to the surface preparation and protective coatings industries. We are the world's premier provider of Abrasives, Blasting, Coating, Dust Collectors, Engineered Systems, Rental, Safety, Service, Repair, & Modernization, and Vacuums.

Through innovative designs and a total commitment to quality, Marco manufactures products that increase production rates, create a safer workplace, and reduce maintenance costs. Marco's industry experience, manufacturing capabilities, legendary customer service, product availability, logistics services, and technology leadership is your assurance that we deliver high quality products and services, providing the best value to you, our customer.

### The Marco Difference

- **Industry Experience** – With Marco on your team, you have access to expertise which can only come from decades of industry leadership. We have organized our engineering department, production specialists, customer operations, and safety support into a “Center of Competence.” As a Marco customer, you have access to hundreds of years of cumulative experience related to your operations.
- **Manufacturing Excellence** – Marco is a U.S. based, ISO 9001:2008 certified manufacturer of equipment for the Surface Preparation and Protective Coatings industries. Marco's engineers benchmark the industry to ensure that we design and manufacture superior products that set the “Gold Standard” for performance, safety, and quality.
- **Legendary Customer Service** – Marco's legendary customer service team is staffed by friendly, highly-trained individuals who are focused on providing the highest level of product support, order accuracy, and customer satisfaction.
- **Product Availability** – We stock over 10,000 SKU's and have more than 45 shipping locations to serve North American and International markets for all major brands of blasting and coating equipment. As the largest provider of surface preparation and protective coatings equipment in the world, our inventory levels and product availability are unmatched.
- **Logistics Services** – Marco's in-house logistics team is dedicated to moving your shipment anywhere in the world. We move more than 14,000 truckloads every year, allowing you to save on freight costs by leveraging our buying power. Lower your process costs with a single invoice, which includes product and freight.
- **Technology Leadership** – Our website provides: Operator's Manuals, Part Numbers and Schematics Guides, SDS information, and Features & Specifications Guides, providing access to information 24/7. Our Extranet application allows you to receive quotes and place orders online. Our Intranet maintains a complete record of your purchase history to assist with ongoing support of your existing equipment and future purchasing decisions.

### Vision Statement

Marco is the world's premier provider of Abrasives, Blasting, Coating, Dust Collectors, Engineered Systems, Rental, Safety, Service, Repair, & Modernization, and Vacuums.

### Mission Statement

Marco provides strong leadership and innovation to the surface preparation and protective coatings industries. We dedicate our efforts to the continuous improvement of our products, services, processes, people, and most importantly, the quality of our customer's experience.

### Quality Statement

Marco is committed to providing superior quality in the design, manufacturing, distribution, rental, service, and repair of our products. Our ISO 9001:2008 certification extends throughout all operations in all locations. Continuous improvement of our processes and supply chain Integration comprise the core of our business strategy for delivering exceptional quality and value in all Marco products and services.

### Management Philosophy

We are a company dedicated to the success of every customer and associate. We discuss, debate, challenge, measure, and test our ideas. We will be boundless and limitless in our passion to improve. Through sound leadership and dedicated associates, we will ensure a long term, profitable future for Marco, our associates, customers, and suppliers.

# TABLE OF CONTENTS

<b>Company Profile</b> .....	<b>2</b>
<b>Table of Contents</b> .....	<b>3</b>
<b>Blastmaster® Abrasive Blasting Pot Mufflers</b> .....	<b>4-8</b>
Part Numbers .....	4-5
Blastmaster® Abrasive Blasting Pot Muffler for 120 Cu. Ft. and 160 Cu. Ft. Abrasive Blasting Pots .....	6-7
Blastmaster® Abrasive Blasting Pot Muffler . . .	8
<b>Maintenance Notes</b> .....	<b>9-11</b>

# PART NUMBER

## Part Numbers

## BLASTMASTER® ABRASIVE BLASTING POT MUFFLERS

10103651

Blastmaster® Abrasive Blasting Pot Muffler for 120 Cu. Ft. and 160 Cu. Ft. Abrasive Blasting Pots  
*(For pots with outlets near the top of the pot)*



# PART NUMBER

## Part Numbers

## BLASTMASTER® ABRASIVE BLASTING POT MUFFLERS

1011100

Blastmaster® Abrasive Blasting Pot Muffler for 20 Cu. Ft. and Smaller Abrasive Blasting Pots



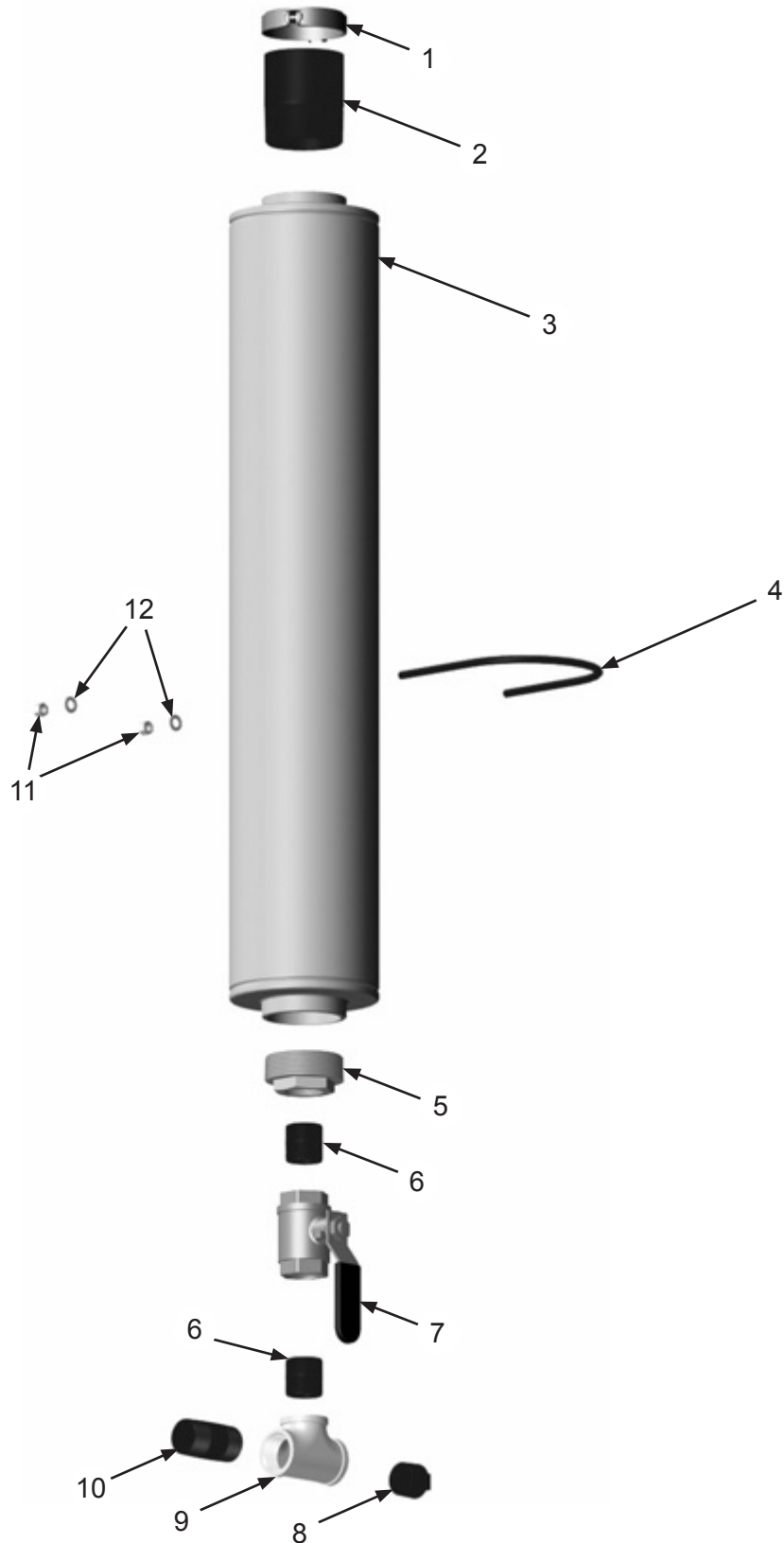
## PART NUMBERS & SCHEMATICS

### Blastmaster® Large Exhaust Muffler: 60 Cu. Ft. — 160 Cu. Ft. Abrasive Blasting Pots (Low Outlets)

Item #	Part #	Description
<b>Fig. 1</b>		
1	10103583	3-1/2" Rain Cap – Painted Gray
2	10105208	3" NPT x 4" Toe Nipple – Galvanized
3	10103575	Absorptive Silencer U5-3 Universal
4	1070967	U-Bolt 3/8-16 x 6-3/4" R x 8-3/8"
5	10105045	3" x 1-1/4" Hex Bushing
6	10101750	1-1/4" NPT Galvanized Close Nipple ( <i>Two Required</i> )
7	1011602	1-1/4" Full Port Ball Valve
8	1011902	1-1/4" NPT Galvanized Pipe Plug
9	1011803	1-1/4" NPT Galvanized Pipe Tee
10	10107274	1-1/4" x 4" Nipple - Galvanized SCH 80
11	20100138	3/8-16 Hex Lock Nut Zinc
12	1014241	3/8" I.D. x 3/4" O.D. Washer

## PART NUMBERS & SCHEMATICS

Figure 1: Blastmaster® Large Exhaust Muffler: 60 Cu. Ft. — 160 Cu. Ft. Abrasive Blasting Pots (Low Outlets)



## PART NUMBERS & SCHEMATICS

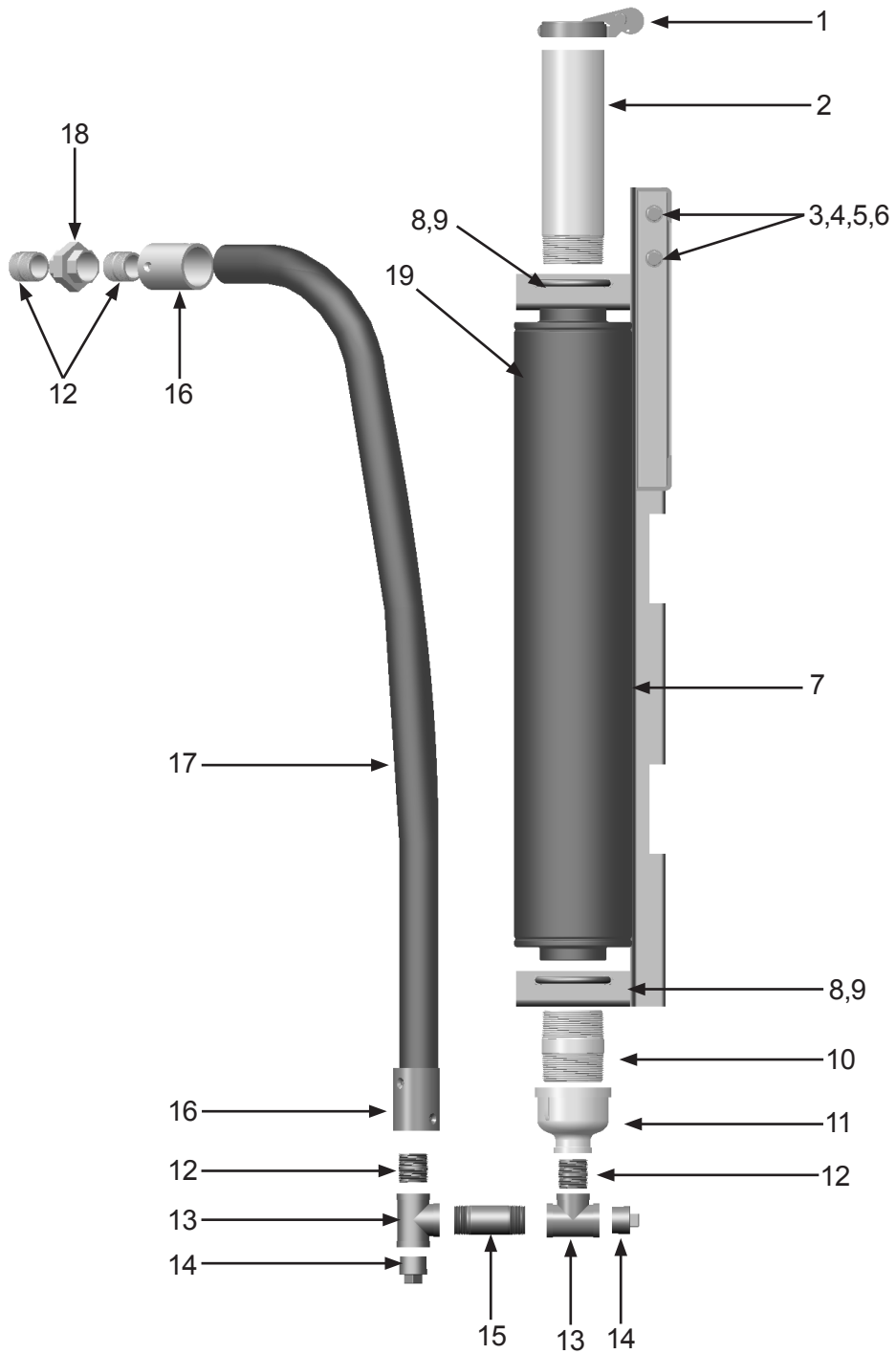
### Blastmaster® Abrasive Blasting Pot Muffler: 120 Cu. Ft. and 160 Cu. Ft. Abrasive Blasting Pots (Top Outlets)

Item #	Part #	Description
<b>Fig. 2</b>		
—	<b>10103651</b>	<b>Blastmaster® Abrasive Blasting Pot Muffler – Complete</b>
1	10103651	3" Aluminized Rain Cap
2	10103580	3" x 12" Toe Nipple
3	10101943	1/2-13 x 1-3/4" NPT Galvanized Hex Bolt <i>(Two Required)</i>
4	10100674	1/2" Flat Washer <i>(Two Required)</i>
5	10100675	1/2" Lock Washer <i>(Two Required)</i>
6	1014022	1/2" Hex Nut <i>(Two Required)</i>
7	10103584	Muffler Assembly Bracket
8	10103581	3" x 3/8" U-Bolt <i>(Two Required)</i>
9	10103582	3/8" Lock Nut <i>(Four Required)</i>
10	10103579	3" x 4" NPT Pipe Nipple
11	10103578	3" to 1-1/4" Bell Reducer
12	1011201	1-1/4" NPT Galvanized Close Nipple <i>(Four Required)</i>
13	1011803	1-1/4" NPT Galvanized Pipe Tee <i>(Two Required)</i>
14	1011902	1-1/4" NPT Galvanized Pipe Plug <i>(Two Required)</i>
15	1011207	1-1/4" x 4" Galvanized Pipe Nipple
16	10NHA3	1-1/4" NPS Aluminum Nozzle Holder <i>(Two Required)</i>
17	10BH1142XR	1-1/4" Xtreme-Duty® Abrasive Blasting Hose <i>(Five Feet Required)</i>
18	1006502	1-1/4" Female Pipe Union
19	10103575	Silencer
—	106M347	Part Numbers and Schematics Guide – Blastmaster® Abrasive Blasting Pot Mufflers
—	1090108	Hazard Identification Decal



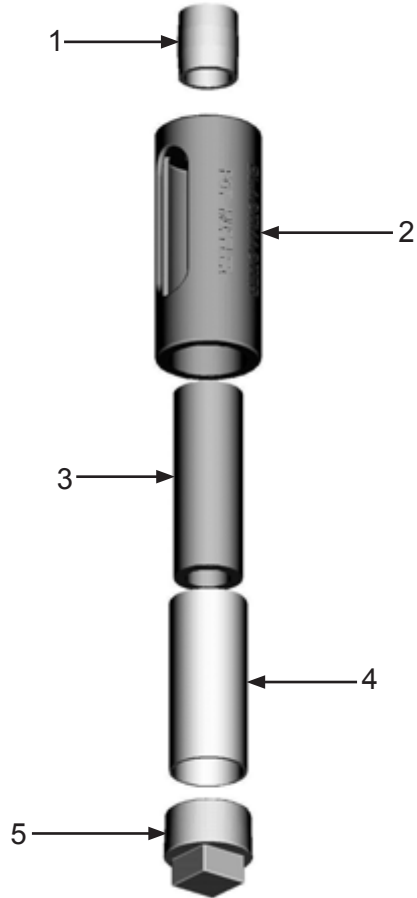
## PART NUMBERS & SCHEMATICS

Figure 2: Blastmaster® Abrasive Blasting Pot Muffler: 120 Cu. Ft. and 160 Cu. Ft. Abrasive Blasting Pots (Top Outlets)



## PART NUMBERS & SCHEMATICS

**Figure 3: Blastmaster® Abrasive Blasting Pot Muffler for 20 Cu. Ft. and Smaller Abrasive Blasting Pots**



Item #	Part #	Description
<b>Fig. 3</b>		
—	<b>1011100</b>	<b>Blastmaster® Abrasive Blasting Pot Muffler – Complete</b>
1	1012151	1" Close Nipple
2	1011102	Body
3	1011103	Filter Element
4	1011104	Screen
5	1011101	1-1/2" Pipe Plug
—	1011105	Blastmaster® Abrasive Blasting Pot Muffler Service Kit <i>Includes Item #'s: 3 (Quantity of Three), 4, and 5</i>
—	106M347	Part Numbers and Schematics Guide – Blastmaster® Abrasive Blasting Pot Mufflers







## GLOBAL HEADQUARTERS

- 3425 East Locust Street  
Davenport, IA 52803

ph: 800.BLAST.IT (800.252.7848)  
ph: 563.324.2519  
fax: 563.324.6258

## REGIONAL BRANCH OFFICES

- **Iowa**  
Davenport
- **Louisiana**  
Gonzales  
Lafayette
- **Ohio**  
Youngstown
- **Texas**  
Beaumont  
Corpus Christi  
Deer Park

## 40+ NATIONWIDE SHIPPING LOCATIONS



★ Marco Regional Branch Offices and Shipping Locations    ● Direct Shipping Locations



ABRASIVES  
BLASTING  
COATING  
DUST COLLECTORS  
ENGINEERED SYSTEMS  
RENTAL  
SAFETY  
SERVICE, REPAIR, & MODERNIZATION  
VACUUMS

## CONTACT MARCO

**800.BLAST.IT**  
**(800.252.7848)**  
**563.324.2519**  
**FAX: 563.324.6258**

**WWW.MARCO.US**  
**SALES@MARCO.US**