



MARCO® BULK BAG RACKS



PART NUMBERS AND SCHEMATICS GUIDE

Company Profile

Allredi was formed in the early 2020, when two of the largest distributors in the blasting, coating, safety, and environmental industry, APE Companies and Marco Group International, joined forces. While the qualities both companies are known for have not changed, a lot about our business is new. New abilities. New agilities. New ways to help you win. This calls for a new name, Allredi.

This name exemplifies what we have become. It is completely oriented to the needs of our customers. To your needs. It says that when you call us for anything – products, service, expert advice, anything – you can consider it done. Or even better, Allredi done.

We are your right-now supplier. From skills to SKUs, we deliver the goods fast. So you can be more agile every minute, every day. This is who we are. This is what our new name means. Go ahead and expect excellence, because we're bringing it.

Our Mission and Vision

To be the industry's preferred partner in surface preparation solutions through unrivaled technical expertise, customer experience, product availability, and tailored service offerings.

The Allredi Difference

- **Industry Experience** – With Allredi on your team, you have access to expertise which can only come from decades of industry leadership. We have organized our engineering department, production specialists, customer operations, and safety support into a “Center of Competence.” As an Allredi customer, you have access to hundreds of years of cumulative experience related to your operations.
- **Manufacturing Excellence** – Allredi is a U.S. based manufacturer of equipment for the Surface Preparation and Protective Coatings industries. Allredi's engineers benchmark the industry to ensure that we design and manufacture superior products that set the “Gold Standard” for performance, safety, and quality.
- **Legendary Customer Service** – Allredi's legendary customer service team is staffed by friendly, highly-trained individuals who are focused on providing the highest level of product support, order accuracy, and customer satisfaction.
- **Product Availability** – We stock over 10,000 SKU's and have over 45 shipping locations to serve North American and International markets for all major brands of blasting, coating, environmental, and safety equipment. Allredi is your right-now supplier, so you can keep your projects moving. From our foundation of strong relationships, we have built a nationwide network that puts vast inventory and ready service close to our customers. We provide advanced expertise, and we deliver the goods fast – so you can easily access the products and services you need to me more agile every minute, every day.
- **Technology Leadership** – Our website provides: Operator's Manuals, Part Numbers and Schematics Guides, SDS information, and key product features and specifications, providing access to information 24/7.

TABLE OF CONTENTS

Company Profile	1
Part Numbers	3
Part Numbers And Schematics Guide	4
Marco® Bulk Bag Racks – Complete.....	4
Optional Accessories	5
Locking Pin Assembly – Complete.....	5

PART NUMBERS

Part Numbers	Marco® BULK BAG RACKS
	Description
10104768	Marco® Heavy-Duty Bulk Bag Rack with Swing Gate, with Tapered Support Panels
10107246	Marco® S-Series Narrow Leg Bulk Bag Rack with Swing Gate
10102133	Bulk Bag Rack with Grid Support, 2.25" I.D. Lifting Eye
10103271	Bulk Bag Rack with Grid Support, .704" I.D. Lifting Eye
10109861	Bulk Bag Rack with Grid Support, 2.25" I.D. Lifting Eye, Narrow Leg



(10104768)



(10107246)



(10102133)



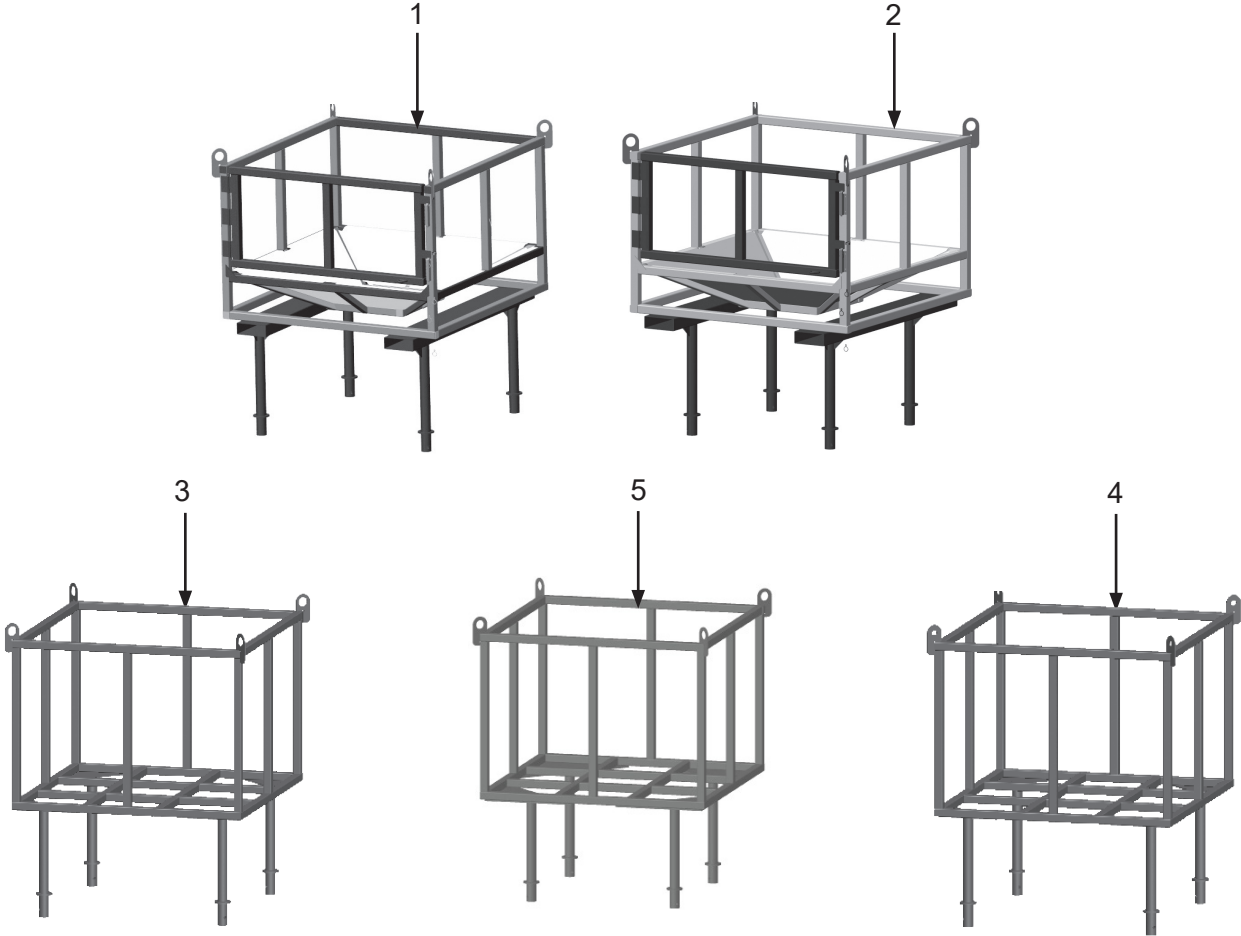
(10109861)



(10103271)

PART NUMBERS AND SCHEMATICS GUIDE

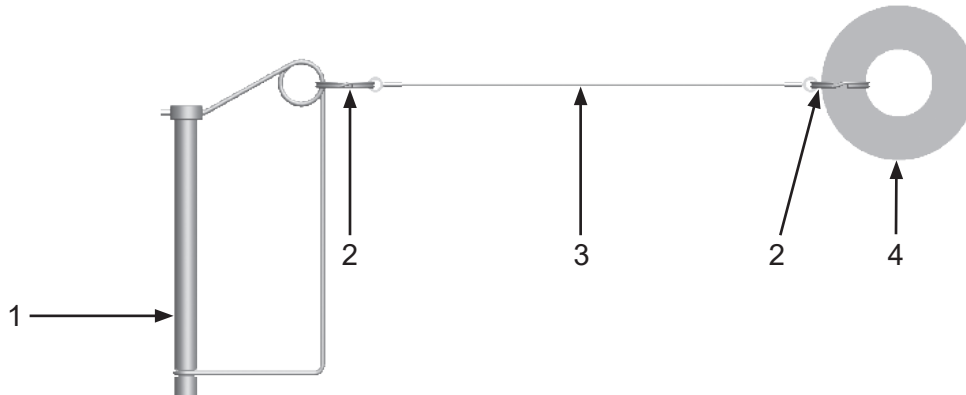
Figure 1: Marco® Bulk Bag Racks – Complete



Item #	Part #	Description
Fig. 1		
1	10104768	Marco® Heavy-Duty Bulk Bag Rack with Swing Gate, with Tapered Support Panels
2	10107246	Marco® S-Series Narrow Leg Bulk Bag Rack with Swing Gate
3	10102133	Bulk Bag Rack with Grid Support, 2.25" I.D. Lifting Eye
4	10103271	Bulk Bag Rack with Grid Support, .704" I.D. Lifting Eye
5	10109861	Bulk Bag Rack with Grid Support, 2.25" I.D. Lifting Eye, Narrow Leg
6	10107105	20' Rope (Not Shown)

OPTIONAL ACCESSORIES

Figure 2: Locking Pin Assembly – Complete



Item #	Part #	Description
Fig. 2		
—	10103386	Locking Pin Assembly – Complete
1	10103387	3/8" x 4" Locking Pin
2	10103388	Split Ring (<i>Two Required</i>)
3	10103390	7" Lanyard with Eyelets
4	10103389	2-1/4" O.D. x 1-1/4" I.D. Flat Washer
—	1090101	Operator's Manual – Marco® Bulk Bag Racks
—	106M101	Part Numbers and Schematics Guide – Marco® Bulk Bag Racks

MAINTENANCE NOTES

DATE	TYPE OF SERVICE	PART NUMBER



ALLREDI THERE

Serving these industries: Bridge, Pipeline, Tank & Tower, Concrete Services, Rail, Shipyard & Marine, Pools & Fountains and Foundry

UNITED STATES

Pasadena, TX (*Headquarters*)
844.361.7038

Beaumont, TX
409.722.1284

Bristol, PA
215.826.8080

Corpus Christi, TX
361.887.2038

Davenport, IA
563.324.2519

Deer Park, TX
(*Service & Rental Location*)
281.930.0905

Duluth, GA
800.535.4564

Gonzales, LA
225.647.7575

Harvey, LA
504.367.8090

Houma, LA
985.580.4273

Lafayette, LA
337.267.1440

Theodore, AL
251.338.7525

CANADA

Calgary, Alberta
403.279.1924

Coquitlam, BC
604.464.6979

Edmonton, Alberta
780.468.2588 (Manus)
780.425.5510 (Mod-U-Blast)

Hamilton, Ontario
905.527.6000 / 888.794.5665

Mississauga, Ontario
905.890.5837

Winnipeg, Manitoba
204.256.3324

800-252-7848 / WWW.ALLREDI-US.COM

Allredi™ and Marco® are registered trademarks of Allredi, LLC.
All other brand names or marks are used for identification purposes and are trademarks of their respective owners.

ALLREDI™

Literature #106M101_5/5/2023