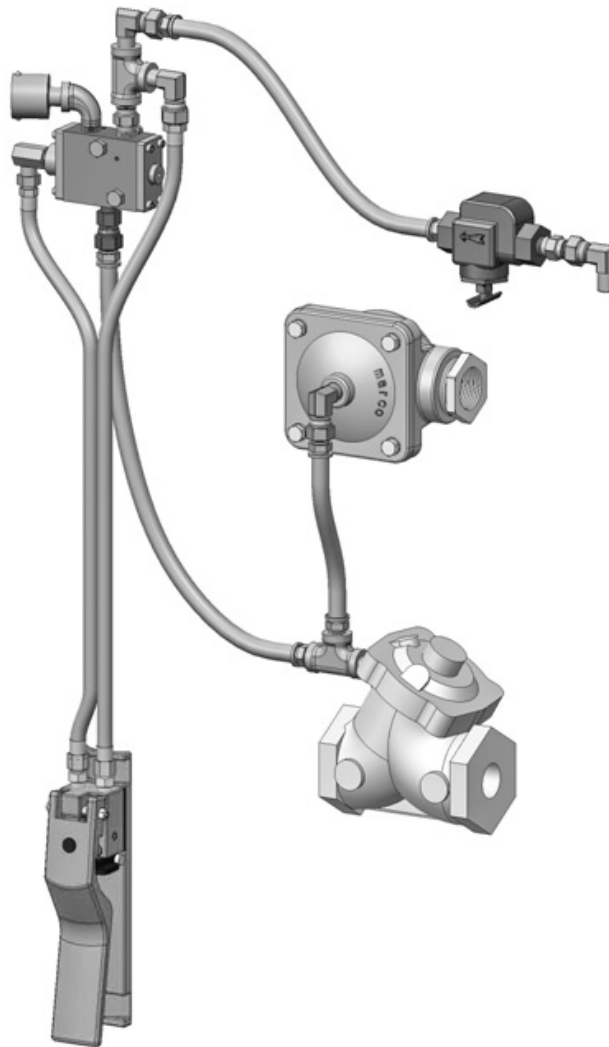




BLASTMASTER® 68P REMOTE CONTROL SYSTEM



BUILT MARCO TOUGH
MARCO MANUFACTURED

PART NUMBERS AND SCHEMATIC GUIDE

Company Profile

Since 1944, Marco has developed a strong tradition of providing innovative and reliable products and services to the surface preparation and protective coatings industries. We are the world's premier provider of Abrasives, Blasting Equipment, Coating Equipment, Engineered Systems, Rental Equipment, Safety Equipment, Service, and Repair.

Through innovative designs and a total commitment to quality, Marco manufactures products that increase production rates, create a safer workplace, and reduce maintenance costs. Marco's industry experience, manufacturing capabilities, legendary customer service, product availability, logistics services, and technology leadership is your assurance that we deliver high quality products and services, providing the best value to you, our customer.

The Marco Difference

- **Industry Experience** – With Marco on your team, you have access to expertise which can only come from decades of industry leadership. We have organized our engineering department, production specialists, customer operations, and safety support into a "Center of Competence." As a Marco customer, you have access to hundreds of years of cumulative experience related to your operations.
- **Manufacturing Excellence** – Marco is a U.S. based, ISO 9001:2008 certified manufacturer of equipment for the Surface Preparation and Protective Coatings industries. Marco's engineers benchmark the industry to ensure that we design and manufacture superior products that set the "Gold Standard" for performance, safety, and quality.
- **Legendary Customer Service** – Marco's legendary customer service team is staffed by friendly, highly-trained individuals who are focused on providing the highest level of product support, order accuracy, and customer satisfaction.
- **Product Availability** – We stock over 10,000 SKU's and have over 45 shipping locations to serve North American and International markets for all major brands of blasting and painting equipment. As the largest provider of surface preparation and protective coatings equipment in the world, our inventory levels and product availability are unmatched.
- **Logistics Services** – Marco's in-house logistics team is dedicated to moving your shipment anywhere in the world. We move over 14,000 truckloads every year, allowing you to save on freight costs by leveraging our buying power. Lower your process costs with a single invoice, which includes product and freight.
- **Technology Leadership** – Our website provides: Operator's Manuals, Part Numbers and Schematics Guides, MSDS information, and Features and Specifications Guides, providing access to information 24/7. Our Extranet application allows you to receive quotes and place orders online. Our Intranet maintains a complete record of your purchase history to assist with ongoing support of your existing equipment and future purchasing decisions.

Vision Statement

Marco is the world's premier provider of Abrasives, Blasting Equipment, Coating Equipment, Engineered Systems, Rental Equipment, Safety Equipment, Service, and Repair.

Mission Statement

Marco provides strong leadership and innovation to the surface preparation and protective coatings industries. We dedicate our efforts to the continuous improvement of our products, services, processes, people, and most importantly, the quality of our customer's experience.

Quality Policy

Marco is committed to providing superior quality in the design, manufacturing, distribution, rental, service, and repair of our products. Our ISO 9001:2008 certification extends throughout all operations in all locations. Continuous improvement of our processes and supply chain Integration comprise the core of our business strategy for delivering exceptional quality and value in all Marco products and services.

Management Philosophy

We are a company dedicated to the success of every customer and associate. We discuss, debate, challenge, measure, and test our ideas. We will be boundless and limitless in our passion to improve. Through sound leadership and dedicated associates, we will ensure a long term, profitable future for Marco, our associates, customers, and suppliers.

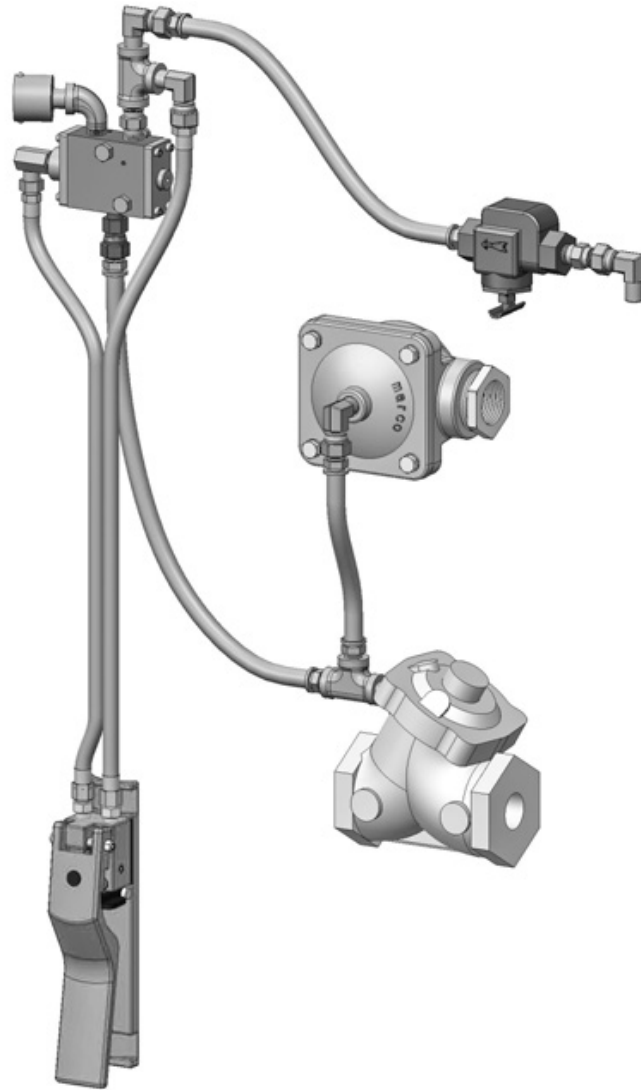
TABLE OF CONTENTS

| | |
|---|------|
| Company Profile | 1 |
| Table of Contents | 2 |
| Blastmaster® 68P Remote Control System | 3-12 |
| Part Number | 3 |
| Part Numbers & Schematics | 5-9 |
| Blastmaster® 68P Remote Control System | 5-6 |
| Blastmaster® 1" GateKeeper Air Valve | 7-8 |
| 1" Diaphragm Outlet Valve | 9 |
| 190 Pneumatic Solenoid | 10 |
| Blastmaster® 152P Remote Control Switch | 11 |
| Optional Accessories | 13 |
| Maintenance Notes | 14 |

PART NUMBER

| Part Number | BLASTMASTER® 68P REMOTE CONTROL SYSTEM | | | |
|------------------------|---|---------------------|----------------------------------|-----------------------------------|
| | Inlet Valve | Outlet Valve | Remote Control Switch | Pneumatic Control Line |
| 10108859 | 1013000 | 1012150 | 1015200 | 1016000 |

BLASTMASTER® 68P REMOTE CONTROL SYSTEM



PART NUMBERS & SCHEMATICS

| Item # | Part # | Description |
|---------------|-----------------|---|
| Fig. 1 | | |
| — | 10108859 | Blastmaster® 68P Remote Control System – Complete |
| 1 | 1012326 | 1/4" x 1/4" x 90° Swivel |
| 2 | 10PAF025 | 1/4" x 1/4" (M) Push-On Fitting <i>(Five Required)</i> |
| 3 | 10AH025 | 1/4" I.D. Air Hose <i>(Per Foot)</i> |
| 4 | 10WS | Watts Strainer |
| 5 | 10PVFIT | 1/4" x 1/8" Hex Nipple |
| 6 | 1012157 | 1-1/4" x 1" Bushing |
| 7 | 1012150 | Blastmaster® 1" Diaphragm Outlet Valve <i>(See Fig. 3)</i> |
| 8 | 1013000 | Blastmaster® 1" GateKeeper Air Valve <i>(See Fig. 2)</i> |
| 9 | 1011844 | 1/4" Galvanized Pipe Tee |
| 10 | 10SME025 | 1/4" NPT x 1/4" (F) Straight Swivel |
| 11 | 1014239 | 1/4" x 1/4" x 90° Swivel |
| 12 | 10DE025 | Dust Eliminator |
| 13 | 1011824 | 1/4" x 90° Galvanized Street Elbow |
| 14 | 1019000 | 190 Pneumatic Control Valve <i>(See Fig. 4)</i> |
| 15 | 1019044 | 1/4-20 x 1-3/4" Zinc Bolt <i>(Two Required)</i> |
| 16 | 1012323 | 1/4-20 Zinc Lock Nut with Nylon Insert |
| 17 | 1016000 | 55 Feet of Pneumatic Control Line with 1/4" and 1/8" Fittings |
| 18 | 1015200 | Blastmaster® 152P Remote Control Switch <i>(See Fig. 5)</i> |

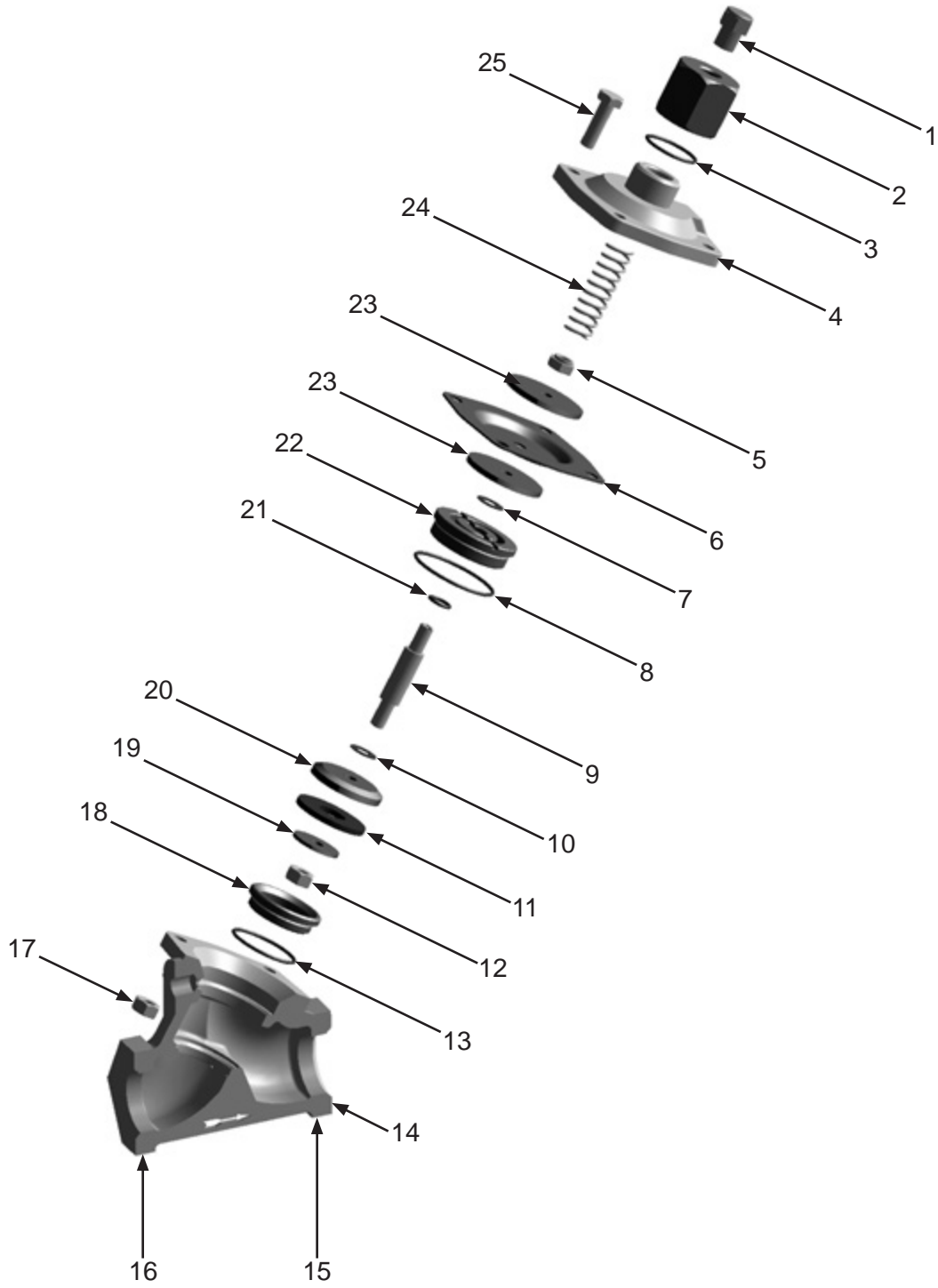
PART NUMBERS & SCHEMATICS

Blastmaster® 1" GateKeeper Air Valve

| Item # | Part # | Description |
|---------------|----------------|--|
| Fig. 2 | | |
| — | 1013000 | Blastmaster® 1" GateKeeper Air Valve – Complete |
| 1 | 1012905 | 1/8" Breather Muffler |
| 2 | 1013022 | Spring Retainer |
| 3 | 1013021 | Spring Retainer O-ring |
| 4 | 1013012 | Cap |
| 5 | 1013013 | 1/4–28 Hex Nut |
| 6 | 1013003 | Diaphragm |
| 7 | 1013002 | Gasket |
| 8 | 1013004 | O-ring |
| 9 | 1013018 | Shaft |
| 10 | 1013019 | Gasket |
| 11 | 1013020 | Disc |
| 12 | 1013011 | Lock Nut |
| 13 | 1013008 | Seat O-ring |
| 14 | 1013017 | Body |
| 15 | 1091050 | Sticker – AIR INLET |
| 16 | 1091051 | Sticker – AIR OUTLET |
| 17 | 1013016 | Hex Nut (<i>Four Required</i>) |
| 18 | 1013009 | Seat |
| 19 | 1013010 | Disc Plate |
| 20 | 1013007 | Disc Retainer |
| 21 | 1013006 | O-ring – 3/8" I.D. |
| 22 | 1013005 | Retainer Bushing |
| 23 | 1013015 | Diaphragm Plate (<i>Two Required</i>) |
| 24 | 1013023 | Spring |
| 25 | 1013014 | Bolt (<i>Four Required</i>) |
| — | 1013001 | 1" GateKeeper Repair Kit (<i>Includes Item #'s: 5, 6, 7 (Quantity of Two), 8, 10, 11, and 12, 20</i>) |
| — | 1013024 | Seat Tool |
| — | 1013025 | Retainer Bushing Tool |

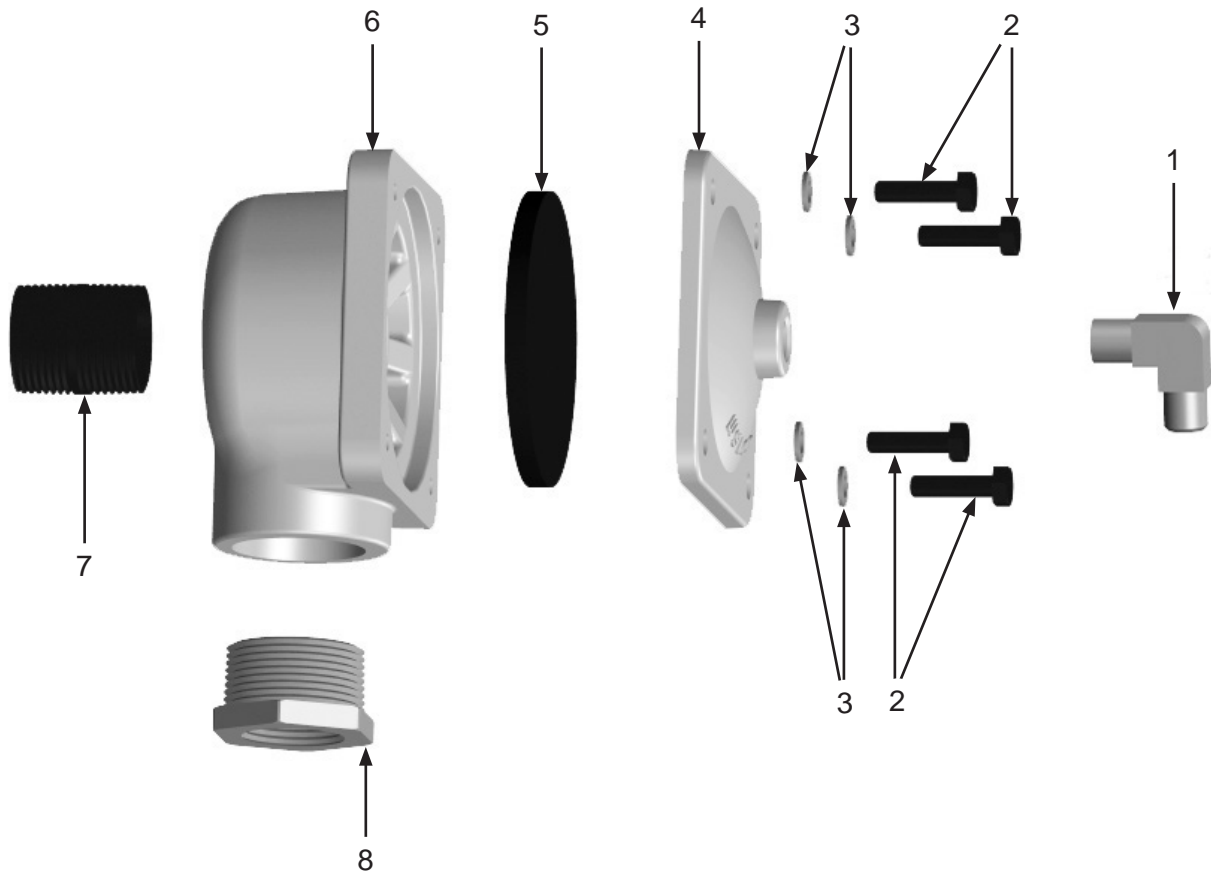
PART NUMBERS & SCHEMATICS

Figure 2: Blastmaster® 1" GateKeeper Air Valve



PART NUMBERS & SCHEMATICS

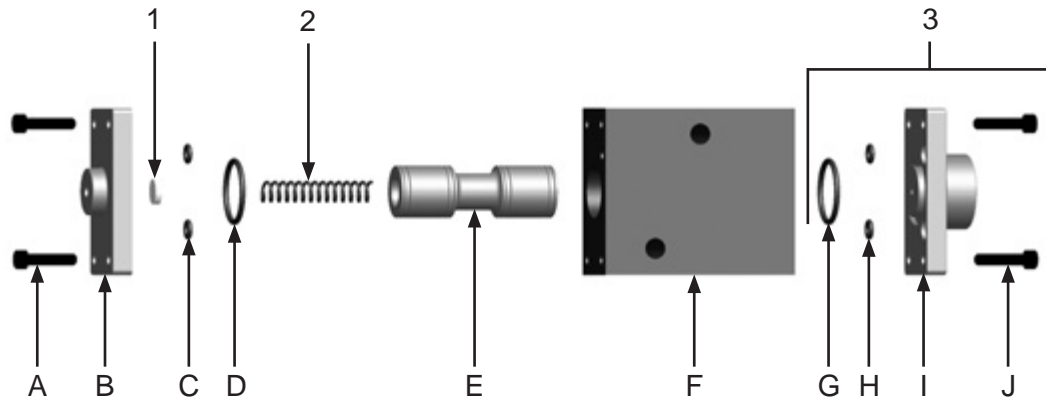
Figure 3: 1" Diaphragm Outlet Valve



| Item # | Part # | Description |
|---------------|----------------|--|
| Fig. 3 | | |
| — | 1012150 | 1" Diaphragm Outlet Valve Complete |
| 1 | 1012051 | Elbow 1/4" NPT x 7/16-20 Tap |
| 2 | 1012154 | 1/4-20 x 1 Hex Bolt (<i>Four Required</i>) |
| 3 | 1012153 | 1/4" Lock Washer (<i>Four Required</i>) |
| 4 | 1012155 | Cap Diaphragm Outlet Valve |
| 5 | 1012152 | Diaphragm Only |
| 6 | 1012156 | Body Diaphragm Outlet Valve |
| 7 | 1012151 | 1" Galvanized Close Nipple |
| 8 | 1012157 | 1-1/4" x 1" Bushing |
| — | 1091045 | Hazard Identification Tag |
| — | 106M136 | Part Numbers & Schematics Guide – Blastmaster® 1" Diaphragm Outlet Valve |
| — | 1090136 | Operator's Manual – Blastmaster® 1" Diaphragm Outlet Valve |

PART NUMBERS & SCHEMATICS

Figure 4: 190 Pneumatic Solenoid



| Item # | Part # | Description |
|---------------|----------------|---|
| Fig. 4 | | |
| — | 1019000 | 190 Pneumatic Solenoid Normally-Closed — Complete |
| 1 | 1019029 | Felt Filter |
| 2 | 1019032 | Spring |
| 3 | 1019027 | Pneumatic Solenoid Operator Assembly <i>(Includes Items: G, H, I, and J)</i> |
| 4 | 1019028 | Pneumatic Solenoid Repair Kit <i>(Includes Items: #1, #2, C, D, E, G, and H)</i> |

* Items A–J are not available individually

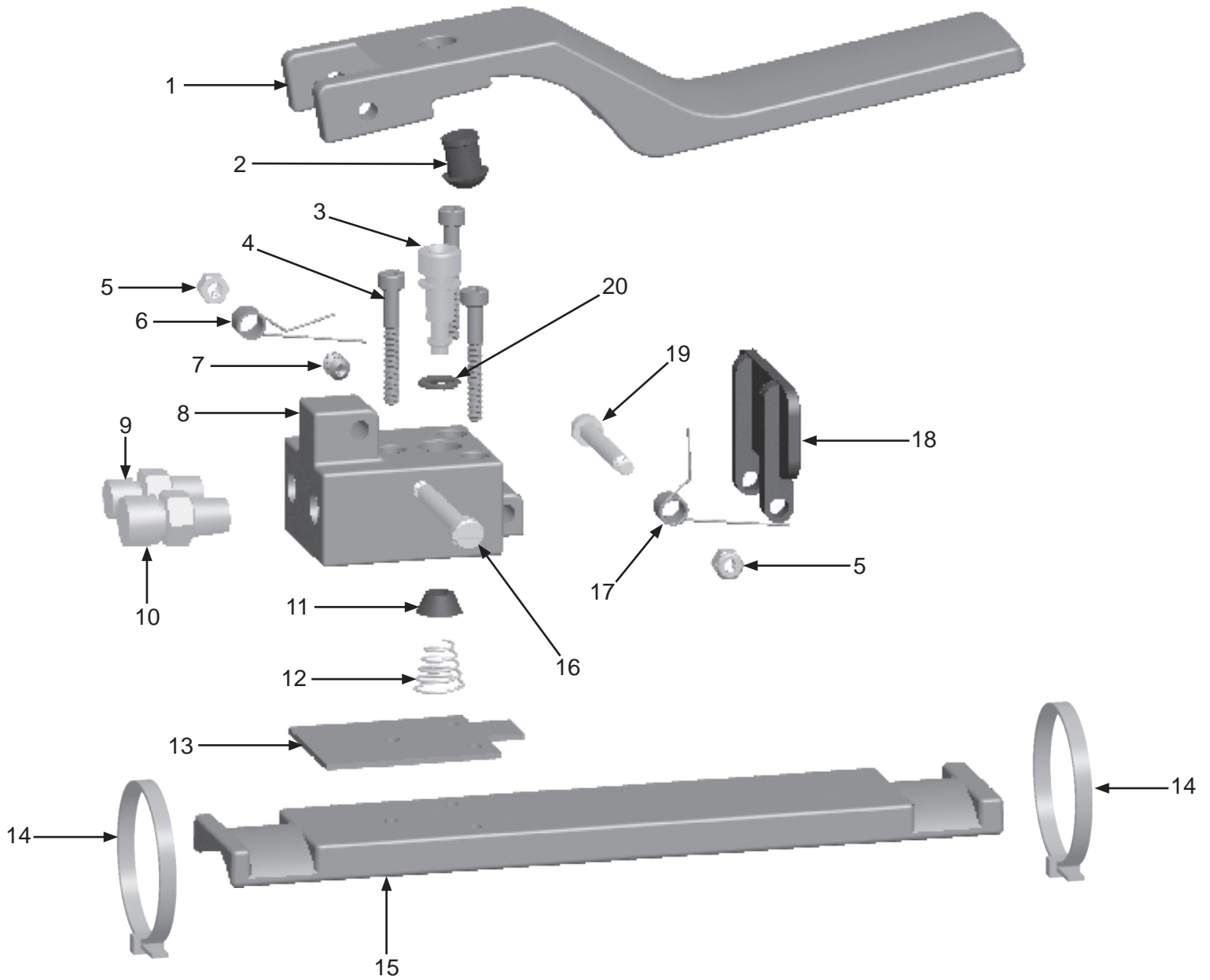
PART NUMBERS AND SCHEMATICS GUIDE

Blastmaster® 152P Remote Control Switch

| Item # | Part # | Description |
|---------------|----------------|---|
| Fig. 5 | | |
| — | 1015200 | Blastmaster® 152P Remote Control Switch – Complete |
| 1 | 10102171 | Handle |
| 2 | 10102181 | Button Bumper |
| 3 | 10102175 | Air Valve Stem |
| 4 | 10102178 | M4 x 30 Socket Head Cap Screw <i>(Three Required)</i> |
| 5 | 10102184 | M4 Lock Nut <i>(Two Required)</i> |
| 6 | 10102179 | Spring |
| 7 | 10102182 | M6 Set Screw |
| 8 | 10102172 | Manifold <i>(Includes Items 3,7,11,12,13 and 20)</i> |
| 9 | 10102187 | 1/8" NPSL x 1/8" NPT Control Line Fitting |
| 10 | 10102186 | 1/4" NPSL x 1/8" NPT Control Line Fitting |
| 11 | 10102176 | Air Valve Packing |
| 12 | 10102183 | Valve Stem Spring |
| 13 | 10102173 | Manifold Gasket |
| 14 | 1015015 | Nylon Zip Tie - White <i>(Two Required)</i> |
| 15 | 10102170 | Base Plate |
| 16 | 10102180 | M4 x 48.9 Shoulder Screw |
| 17 | 10102241 | Safety Tab Spring |
| 18 | 10102174 | Safety Tab |
| 19 | 10102185 | M4 x 42 Shoulder Screw |
| 20 | 10102177 | O-Ring |
| — | 10102169 | Blastmaster® 152P Remote Control Switch Repair Kit <i>(Includes Item #'s: 3,7,8,11,12, and 20; and two each of 14)</i> |
| — | 106M068 | Part Numbers and Schematics Guide – Blastmaster® 152P Remote Control Switch |
| — | 1090068 | Operator's Manual – Blastmaster® 152P Remote Control Switch |
| — | 1091045 | Hazard Identification Tag |

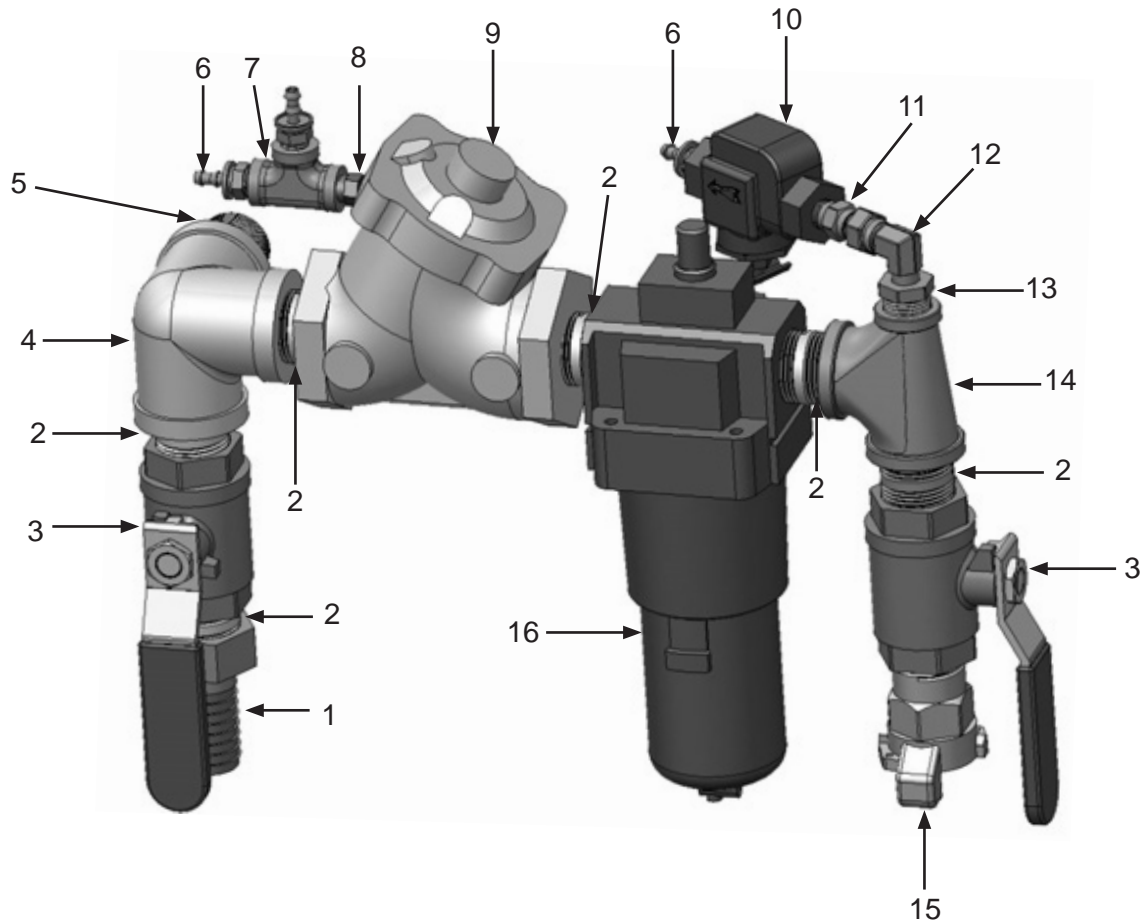
PART NUMBERS AND SCHEMATICS GUIDE

Figure 5: Blastmaster® Bantam Abrasive Metering Valve



OPTIONAL ACCESSORIES

Figure 5: Moisture Separator Pipe String



| Item # | Part # | Description |
|---------------|------------|--|
| Fig. 5 | | |
| 1 | 10SFE2 | 1" Female Swivel End |
| 2 | 1012151 | 1" Galvanized Close Nipple (<i>Six Required</i>) |
| 3 | 1011601 | 1" Full Port Ball Valve (<i>Two Required</i>) |
| 4 | 1011808 | 1" x 90° Elbow with Side-Out |
| 5 | 10L803035* | 1/2" Galvanized Close Nipple |
| | 1011812* | 1" (M) x 1/2" (F) Bushing |
| 6 | 10PAF025 | 1/4" x 1/4" NPT Push-On Fitting |
| 7 | 1011844 | 1/4" Galvanized Pipe Tee |
| 8 | 10PVFIT1 | 1/4" x 1/8" Hex Nipple |
| 9 | 1013000 | Blastmaster® 1" GateKeeper Air Valve |
| 10 | 10WS | Watts Strainer |
| 11 | 1017019 | 1/4" x 1/4" Hex Nipple |
| 12 | 1012326 | 1/4" x 1/4" x 90° Swivel |
| 13 | 1011818 | 1/2" x 1/4" Galvanized Bushing |
| 14 | 1011826 | 1" x 90° Elbow with 1/2" Out |
| 15 | 10ME2 | 1" NPT 2-Lug Coupling |
| 16 | 1071284 | 1" NPT Moisture Separator |

*for pots purchased prior to 2018 and with a 1/2" inlet opening

