



BLASTMASTER® 400 CFM 12-VOLT DC AFTERCOOLER



BUILT MARCO TOUGH
MARCO MANUFACTURED

PARTNUMBERSANDSCHEMATICSGUIDE

Company Profile

Since 1944, Marco has developed a strong tradition of providing innovative and reliable products and services to the surface preparation and protective coatings industries. We are the world's premier provider of Abrasives, Blasting, Coating, Dust Collectors, Engineered Systems, Rental, Safety, Service, Repair, & Modernization, and Vacuums.

Through innovative designs and a total commitment to quality, Marco manufactures products that increase production rates, create a safer workplace, and reduce maintenance costs. Marco's industry experience, manufacturing capabilities, legendary customer service, product availability, logistics services, and technology leadership is your assurance that we deliver high quality products and services, providing the best value to you, our customer.

The Marco Difference

- **Industry Experience** – With Marco on your team, you have access to expertise which can only come from decades of industry leadership. We have organized our engineering department, production specialists, customer operations, and safety support into a “Center of Competence.” As a Marco customer, you have access to hundreds of years of cumulative experience related to your operations.
- **Manufacturing Excellence** – Marco is a U.S. based, ISO 9001:2008 certified manufacturer of equipment for the Surface Preparation and Protective Coatings industries. Marco's engineers benchmark the industry to ensure that we design and manufacture superior products that set the “Gold Standard” for performance, safety, and quality.
- **Legendary Customer Service** – Marco's legendary customer service team is staffed by friendly, highly-trained individuals who are focused on providing the highest level of product support, order accuracy, and customer satisfaction.
- **Product Availability** – We stock over 10,000 SKU's and have more than 45 shipping locations to serve North American and International markets for all major brands of blasting and coating equipment. As the largest provider of surface preparation and protective coatings equipment in the world, our inventory levels and product availability are unmatched.
- **Logistics Services** – Marco's in-house logistics team is dedicated to moving your shipment anywhere in the world. We move more than 14,000 truckloads every year, allowing you to save on freight costs by leveraging our buying power. Lower your process costs with a single invoice, which includes product and freight.
- **Technology Leadership** – Our website provides: Operator's Manuals, Part Numbers and Schematics Guides, SDS information, and Features & Specifications Guides, providing access to information 24/7. Our Extranet application allows you to receive quotes and place orders online. Our Intranet maintains a complete record of your purchase history to assist with ongoing support of your existing equipment and future purchasing decisions.

Vision Statement

Marco is the world's premier provider of Abrasives, Blasting, Coating, Dust Collectors, Engineered Systems, Rental, Safety, Service, Repair, & Modernization, and Vacuums.

Mission Statement

Marco provides strong leadership and innovation to the surface preparation and protective coatings industries. We dedicate our efforts to the continuous improvement of our products, services, processes, people, and most importantly, the quality of our customer's experience.

Quality Statement

Marco is committed to providing superior quality in the design, manufacturing, distribution, rental, service, and repair of our products. Our ISO 9001:2008 certification extends throughout all operations in all locations. Continuous improvement of our processes and supply chain Integration comprise the core of our business strategy for delivering exceptional quality and value in all Marco products and services.

Management Philosophy

We are a company dedicated to the success of every customer and associate. We discuss, debate, challenge, measure, and test our ideas. We will be boundless and limitless in our passion to improve. Through sound leadership and dedicated associates, we will ensure a long term, profitable future for Marco, our associates, customers, and suppliers.

TABLE OF CONTENTS

Company Profile	2
Table of Contents	3
Part Numbers	4
Specifications	5
Part Numbers & Schematics	6-7
Blastmaster® 400 CFM 12-Volt DC Aftercooler	6-7
Optional Accessories	8-9
Airflow Shutoff Kits – Lug Fittings	8
Airflow Shutoff Kits – Hammerlock Fittings	8
Female Threaded Metal End Coupling and Gasket	9
Pipe Nipples	9
Maintenance Notes	10-11

PART NUMBERS

BLASTMASTER® 400 CFM 12-VOLT DC AFTERCOOLER

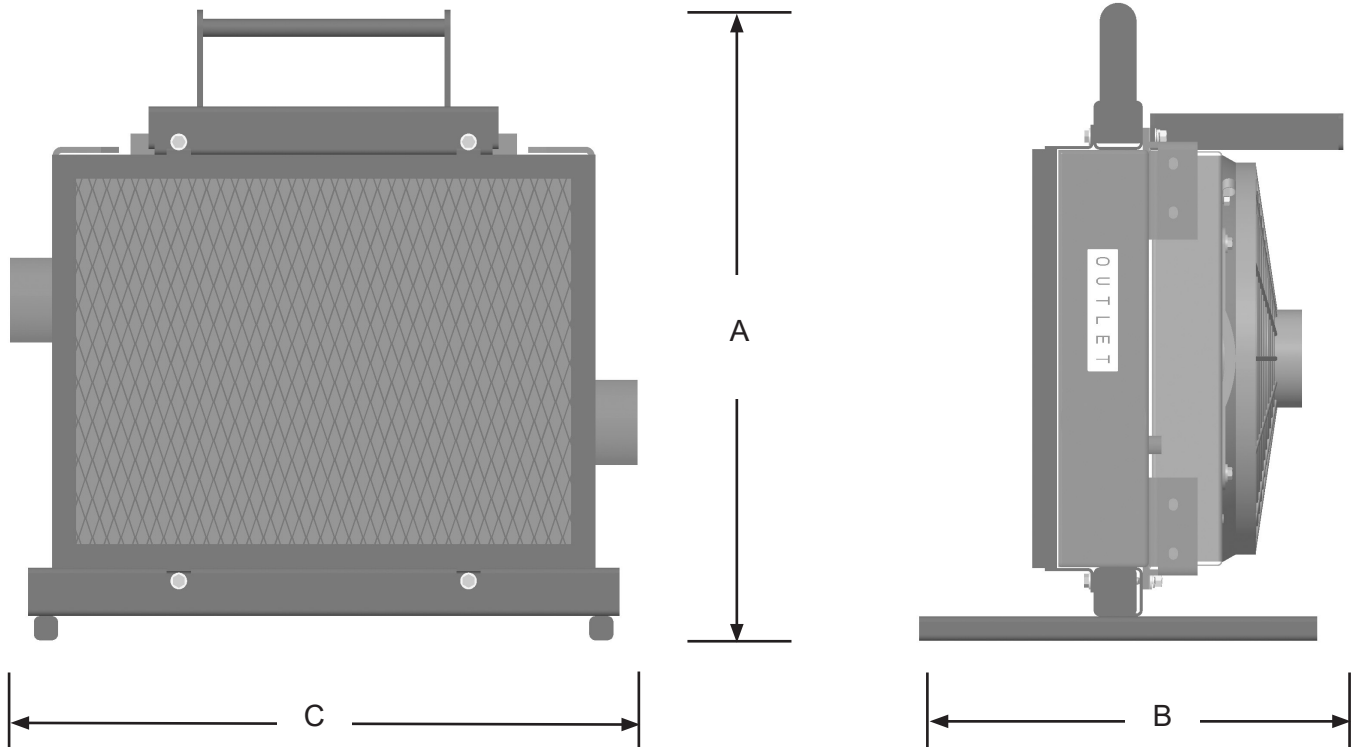
		Inlet			Outlet			Power Source	Power Cord	Battery Clamps
		Inlet Quantity	Inlet Size	Fittings	Outlet Quantity	Outlet Size	Fittings			
Part Numbers	10104763	1	2"	Not Included	1	2"	Not Included	12-Volt DC	25 Ft.	Included



SPECIFICATIONS

Empty Weight: 85 pounds

Overall Dimensions: A: 26"
B: 17"
C: 26"



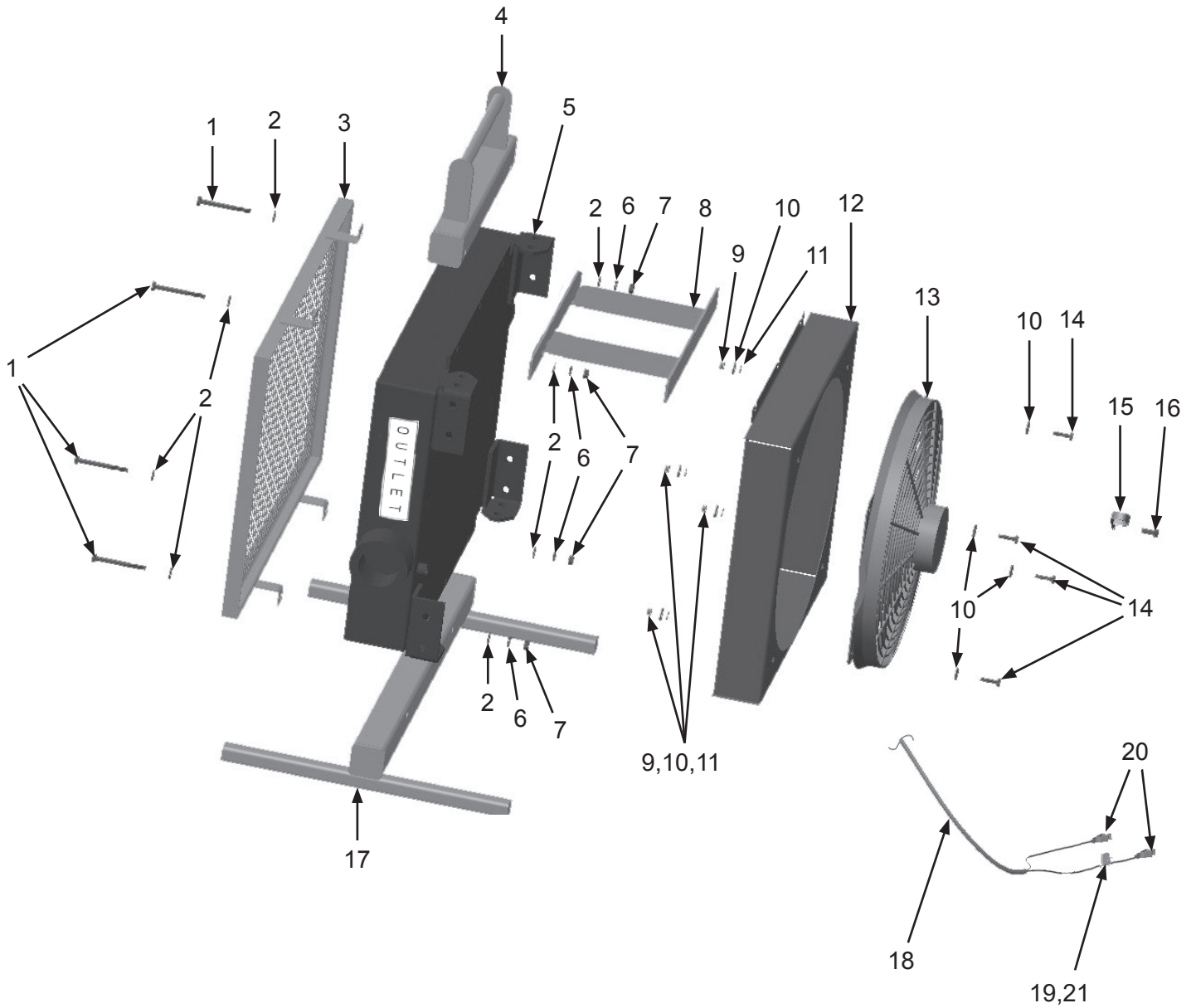
PART NUMBERS & SCHEMATICS

Blastmaster® 400 CFM 12-Volt DC Aftercooler

Item #	Part #	Description
Fig. 1		
—	10104763	Blastmaster® 400 CFM 12-Volt DC Aftercooler – Complete
1	1014112	5/16-18 x 3-1/4" Hex Bolt <i>(Four Required)</i>
2	10101935	5/16" Flat Washer – Galvanized <i>(Eight Required)</i>
3	10104739	Blastmaster® 400 CFM 12-Volt DC Aftercooler Grate
4	10104735	Blastmaster® 400 CFM 12-Volt DC Aftercooler Handle
5	10101786	400 CFM Aftercooler Core Only
6	101805014	5/16" Lock Washer <i>(Four Required)</i>
7	1035046	5/16-18 Nut <i>(Four Required)</i>
8	10104744	Cord Wrap Weldment
9	10101347	1/4-20 Lock Nut <i>(Four Required)</i>
10	10101940	1/4" Flat Washer – Galvanized <i>(Eight Required)</i>
11	1012153	1/4" Lock Washer <i>(Four Required)</i>
12	10103983	Aftercooler Core Fan Shroud
13	10104759	16" Electrical Fan Blade And Motor
14	1012154	1/4-20 x 1" L Grade 5 Bolt - Zinc <i>(Four Required)</i>
15	10105731	1/2" Rubber Cushioned Loop Clamp
16	10101346	5/16-18 x 3/4" L Grade 5 Bolt
17	10104732	Blastmaster® 400 CFM 12-Volt DC Aftercooler Base
18	1015570	12/2 SJ Power Cord <i>(Per Foot)</i>
19	10105168	30 Amp Fuse Blade Body Style
20	10105169	Heavy Duty Steel Battery Clamp <i>(Two Required)</i>
21	10105170	In-Line Fuse Holder With Cover
—	106M123	Part Numbers and Schematics Guide – Blastmaster® 400 CFM 12-Volt DC Aftercooler
—	1090123	Operator's Manual – Blastmaster® 400 CFM 12-Volt DC Aftercooler


PART NUMBERS & SCHEMATICS

Figure 1: Blastmaster® 400 CFM 12-Volt DC Aftercooler




OPTIONAL ACCESSORIES


AIRFLOW SHUTOFF KITS – LUG FITTINGS


	Part Numbers	Pipe String I.D.	Close Nipple	Full Port Ball Valve	Coupling
	10103734	2"	1001806 <i>(Quantity of Two)</i>	1011604	10ME5

AIRFLOW SHUTOFF KITS – HAMMERLOCK FITTINGS

	Part Numbers	Pipe String I.D.	Close Nipple	Full Port Ball Valve	Coupling Spud
	10103833	2"	1001806 <i>(Quantity of Two)</i>	1011604	10DXGB28

OPTIONAL ACCESSORIES

		FEMALE THREADED METAL END COUPLING AND GASKET					
	Part Numbers	Coupling Style	Thread Size	GASKET OPTIONS			Material
				Gasket I.D.	Gasket O.D.	Rubber Gasket	
	10ME5	4-Lug	2"	1-1/2"	2-3/8"	10UG4	Plated Iron

		PIPE NIPPLES
	Part Numbers	Description

CONTACT CENTER

- 3425 East Locust Street
Davenport, IA 52803

ph: 800.BLAST.IT (800.252.7848)

ph: 563.324.2519

fax: 563.324.6258

REGIONAL BRANCH OFFICES

- **Iowa**
Davenport
- **Louisiana**
Gonzales
Lafayette
- **Ohio**
Youngstown
- **Texas**
Beaumont
Corpus Christi
Deer Park



ABRASIVES

BLASTING

COATING

DUST COLLECTORS

ENGINEERED SYSTEMS

RENTAL

SAFETY

SERVICE & REPAIR

VACUUMS

40+ NATIONWIDE SHIPPING LOCATIONS



★ Marco Regional Branch Offices
and Shipping Locations

● Direct Shipping Locations

CONTACT MARCO

800.BLAST.IT

(800.252.7848)

563.324.2519

FAX: 563.324.6258

WWW.MARCO.US

SALES@MARCO.US