



MARCO® 307 SERIES HOSE-MOUNTED LIGHT



PART NUMBERS AND SCHEMATICS GUIDE

Company Profile

Allredi was formed in the early 2020, when two of the largest distributors in the blasting, coating, safety, and environmental industry, APE Companies and Marco Group International, joined forces. While the qualities both companies are known for have not changed, a lot about our business is new. New abilities. New agilities. New ways to help you win. This calls for a new name, Allredi.

This name exemplifies what we have become. It is completely oriented to the needs of our customers. To your needs. It says that when you call us for anything – products, service, expert advice, anything – you can consider it done. Or even better, Allredi done.

We are your right-now supplier. From skills to SKUs, we deliver the goods fast. So you can be more agile every minute, every day. This is who we are. This is what our new name means. Go ahead and expect excellence, because we're bringing it.

Our Mission and Vision

To be the industry's preferred partner in surface preparation solutions through unrivaled technical expertise, customer experience, product availability, and tailored service offerings.

The Allredi Difference

- **Industry Experience** – With Allredi on your team, you have access to expertise which can only come from decades of industry leadership. We have organized our engineering department, production specialists, customer operations, and safety support into a "Center of Competence." As an Allredi customer, you have access to hundreds of years of cumulative experience related to your operations.
- **Manufacturing Excellence** – Allredi is a U.S. based manufacturer of equipment for the Surface Preparation and Protective Coatings industries. Allredi's engineers benchmark the industry to ensure that we design and manufacture superior products that set the "Gold Standard" for performance, safety, and quality.
- **Legendary Customer Service** – Allredi's legendary customer service team is staffed by friendly, highly-trained individuals who are focused on providing the highest level of product support, order accuracy, and customer satisfaction.
- **Product Availability** – We stock over 10,000 SKU's and have over 45 shipping locations to serve North American and International markets for all major brands of blasting, coating, environmental, and safety equipment. Allredi is your right-now supplier, so you can keep your projects moving. From our foundation of strong relationships, we have built a nationwide network that puts vast inventory and ready service close to our customers. We provide advanced expertise, and we deliver the goods fast – so you can easily access the products and services you need to me more agile every minute, every day.
- **Technology Leadership** – Our website provides: Operator's Manuals, Part Numbers and Schematics Guides, SDS information, and key product features and specifications, providing access to information 24/7.

TABLE OF CONTENTS

CONTENTS

| | |
|---|-----------|
| Part Numbers | 3 |
| Part Numbers And Schematics | 5 |
| Marco® 307 Series Hose-Mounted Light with 120-Volt AC to 12-Volt AC Power Converter | 5 |
| Marco® 307 Series Hose-Mounted Light with Battery Clamp Set | 6 |
| Marco® 307 Series Hose-Mounted Light | 7 |
| Marco® 120-Volt AC to 12-Volt AC Power Converter . | 9 |
| Optional Accessories | 10 |

PART NUMBERS

| MARCO® 307 SERIES HOSE-MOUNTED LIGHT | | | | | | |
|---|----------------------|---------------------|--|-------------------------------|---|---------------------------------|
| Part Numbers | Body Material | Power Source | 120-Volt AC to 12-Volt AC Power Converter | Attached Electric Cord | Band Clamps <i>(Quantity of Two)</i> | Electric Cord Connectors |
| 1030751 | Aluminum | 120-Volt AC | X | 50 Ft. | X | Standard Wall 3 Prong |
| 1030752 | Aluminum | 120-Volt AC | X | 75 Ft. | X | Standard Wall 3 Prong |



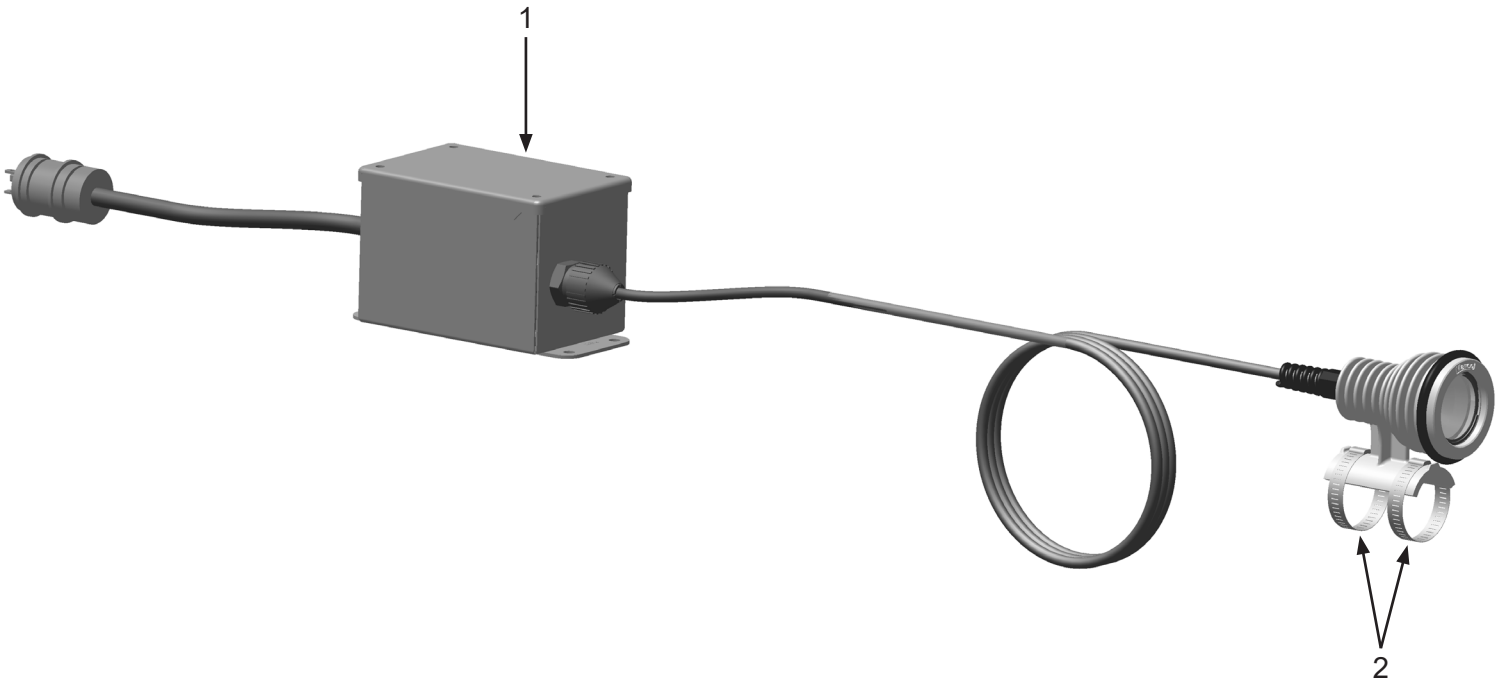
PART NUMBERS

| MARCO® 307 SERIES HOSE-MOUNTED LIGHT | | | | | | |
|---|----------------------|---------------------|-----------------------|-------------------------------|---|---------------------------------|
| Part Numbers | Body Material | Power Source | Battery Clamps | Attached Electric Cord | Band Clamps <i>(Quantity of Two)</i> | Electric Cord Connectors |
| 1030761 | Aluminum | 12-Volt DC | X | 75 Ft. | X | Battery Clamps |
| 1030762 | Aluminum | 12-Volt DC | X | 150 Ft. | X | Battery Clamps |



PART NUMBERS AND SCHEMATICS

Figure 1: Marco® 307 Series Hose-Mounted Light with 120-Volt AC to 12-Volt AC Power Converter



| Item # | Part # | Description |
|---------------|---------|---|
| Fig. 1 | | |
| — | 1030751 | Marco® 307 Series Hose-Mounted Abrasive Blasting Light with 50 Feet of 16/2 SJ Electric Cord and 120-Volt AC to 12-Volt AC Power Converter <i>(Includes Item #'s: 1 and 2 (Quantity of Two))</i> |
| — | 1030752 | Marco® 307 Series Hose-Mounted Abrasive Blasting Light with 75 Feet of 16/2 SJ Electric Cord and 120-Volt AC to 12-Volt AC Power Converter <i>(Includes Item #'s: 1 and 2 (Quantity of Two))</i> |
| 1 | 1030020 | 120-Volt AC to 12-Volt AC Power Converter |
| 2 | 1015503 | Hose Clamps <i>(Two Required)</i> |

PART NUMBERS AND SCHEMATICS

Figure 2: Marco® 307 Series Hose-Mounted Light with Battery Clamp Set



| Item # | Part # | Description |
|---------------|---------|---|
| Fig. 2 | | |
| — | 1030761 | Marco® 307 Series Hose-Mounted Abrasive Blasting Light with 75 Feet of 16/2 SJ Electric Cord and Battery Clamp Set <i>(Includes Item #'s: 1 and 2 (Quantity of Two))</i> |
| — | 1030762 | Marco® 307 Series Hose-Mounted Abrasive Blasting Light with 150 Feet of 16/2 SJ Electric Cord and Battery Clamp Set <i>(Includes Item #'s: 1 and 2 (Quantity of Two))</i> |
| 1 | 1030718 | Battery Clamp Set |
| 2 | 1015503 | Hose Clamps <i>(Two Required)</i> |

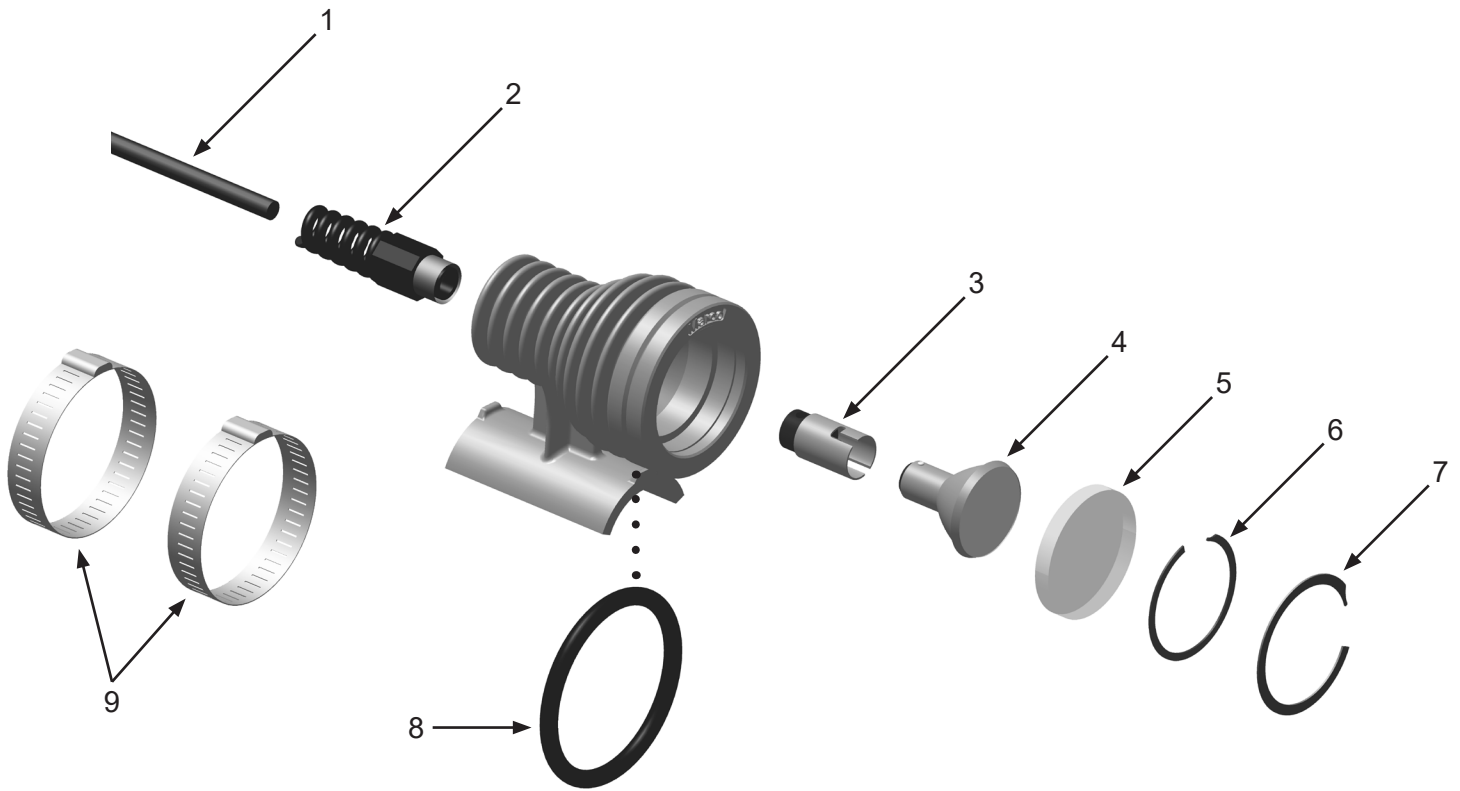
PART NUMBERS AND SCHEMATICS

Marco® 307 Series Hose-Mounted Light

| Item # | Part # | Description |
|---------------|----------------|---|
| Fig. 3 | | |
| — | 1030731 | Marco® 307 Series Hose-Mounted Abrasive Blasting Light with 10 Feet of 16/2 Electric Cord (Includes Item #'s: 9 (Quantity of Two)) |
| 1 | 1015540 | 16/2 Electric Cord – per foot |
| 2 | 1030710 | Strain Relief |
| 3 | 1030708 | Light Socket |
| 4 | 1030763 | Light Bulb – 3-Watt – 4000K LED |
| 5 | 1030705 | Lens |
| 6 | 1030733 | Lens Retainer B |
| 7 | 1030732 | Lens Retainer A |
| 8 | 1030707 | Bump Ring |
| 9 | 1015503 | Hose Clamps (<i>Two Required</i>) |
| — | 106M052 | Part Numbers and Schematics Guide – Marco® 307 Series Hose-Mounted Light |
| — | 1090052 | Operator's Manual – Marco® 307 Series Hose-Mounted Light |
| — | 1091046 | Hazard Identification Tag |

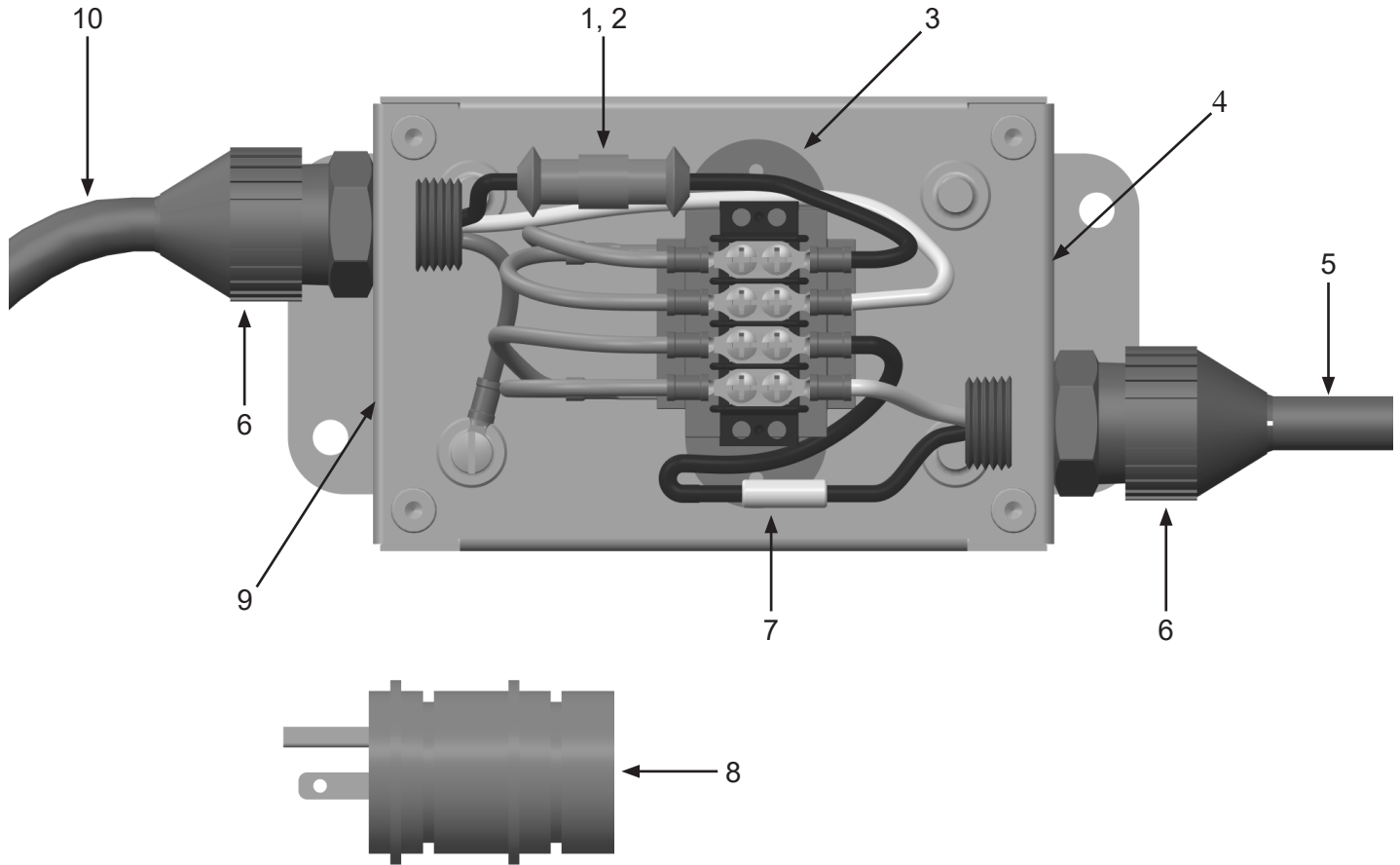
PART NUMBERS AND SCHEMATICS

Figure 3: Marco® 307 Series Hose-Mounted Light



PART NUMBERS & SCHEMATICS

Figure 4: Marco® 120-Volt AC to 12-Volt AC Power Converter



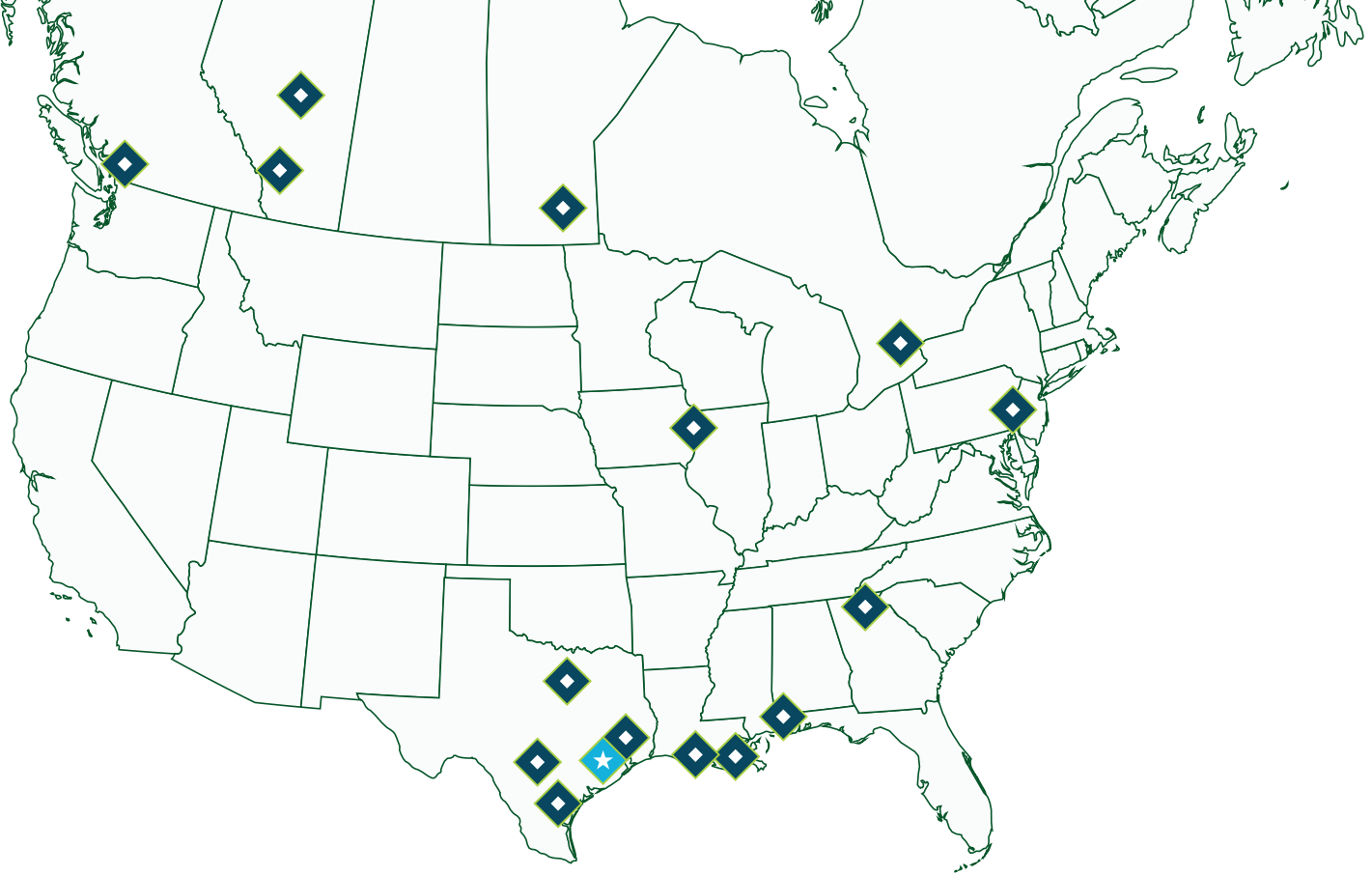
| Item # | Part # | Description |
|--------|----------------|---|
| Fig. 4 | | |
| — | 1030020 | Marco® 120-Volt AC to 12-Volt AC Power Converter with 3 feet of 14/2 Electric Cord and Plug – Complete |
| 1 | 1030024 | 2 Amp Fuse |
| 2 | 1030023 | In-Line Fuse Holder |
| 3 | 1030022 | Transformer – Marco 120-Volt AC to 12-Volt AC Power Converter |
| 4 | 1091067 | Power-Out Decal (<i>Not Shown</i>) |
| 5 | 1030013 | 14/2 SEOW Electric Cord (<i>Per Foot</i>) |
| 6 | 1030025 | Strain Relief (<i>Two Required</i>) |
| 7 | 1030021 | Resistor |
| 8 | 1030026 | 3-prong, 120-Volt AC Plug – Male |
| 9 | 1092014 | Power-In Decal (<i>Not Shown</i>) |
| 10 | 1015550 | 14/3 SEOW Electric Cord (<i>Per Foot</i>) |
| — | 1091063 | Hazard Identification Decal |

OPTIONAL ACCESSORIES



ELECTRIC CONTROL LINE

| Part Numbers | Gauge | # of Wires | Type | Length |
|---------------------|--------------|-------------------|-------------|---------------|
| 1030013 | 14 | 2 | SEOOW | Per Foot |
| 1015550 | 14 | 3 | SEOOW | Per Foot |
| 1015554 | 14 | 4 | SEOOW | Per Foot |
| 1015570 | 12 | 2 | SOOW | Per Foot |
| 1015571 | 12 | 3 | SJEOOW | Per Foot |
| 1015581 | 10 | 3 | SEOOW | Per Foot |
| 1015580 | 10 | 4 | SEOOW | Per Foot |
| 1015591 | 8 | 3 | SEOOW | Per Foot |
| 1015590 | 8 | 4 | SEOOW | Per Foot |
| 1015595 | 6 | 3 | SEOOW | Per Foot |



ALLREDI THERE

Serving these industries: Bridge, Pipeline, Tank & Tower, Concrete Services, Rail, Shipyard & Marine, Pools & Fountains, and Foundry

UNITED STATES

Pasadena, TX (*Headquarters*)
844.361.7038

Beaumont, TX
409.722.1284

Bristol, PA
215.826.8080

Corpus Christi, TX
361.887.2038

Davenport, IA
563.324.2519

Deer Park, TX
(*Service & Rental Location*)
281.930.0905

Duluth, GA
800.535.4564

Gonzales, LA
225.647.7575

Harvey, LA
504.367.8090

Houma, LA
985.580.4273

Lafayette, LA
337.267.1440

Theodore, AL
251.338.7525

CANADA

Calgary, Alberta
403.279.1924

Coquitlam, BC
604.464.6979

Edmonton, Alberta
780.468.2588 (Manus)
780.425.5510 (Mod-U-Blast)

Hamilton, Ontario
905.527.6000 / 888.794.5665

Mississauga, Ontario
905.890.5837

Winnipeg, Manitoba
204.256.3324

800.BLAST.IT / WWW.ALLREDI-US.COM

Allredi™ and Marco® are registered trademarks of Allredi, LLC.
All other brand names or marks are used for identification purposes and are trademarks of their respective owners.

ALLREDI™

Literature #106M052_6/16/2023