



BLASTMASTER® 3.5 CU. FT. M-SERIES ABRASIVE BLASTING POT



BUILT MARCO TOUGH
MARCO MANUFACTURED

PART NUMBERS AND SCHEMATICS GUIDE

Company Profile

Since 1944, Marco has developed a strong tradition of providing innovative and reliable products and services to the surface preparation and protective coatings industries. We are the world's premier provider of Abrasives, Blasting Equipment, Coating Equipment, Engineered Systems, Rental Equipment, Safety Equipment, Service, and Repair.

Through innovative designs and a total commitment to quality, Marco manufactures products that increase production rates, create a safer workplace, and reduce maintenance costs. Marco's industry experience, manufacturing capabilities, legendary customer service, product availability, logistics services, and technology leadership is your assurance that we deliver high quality products and services, providing the best value to you, our customer.

The Marco Difference

- **Industry Experience** – With Marco on your team, you have access to expertise which can only come from decades of industry leadership. We have organized our engineering department, production specialists, customer operations, and safety support into a “Center of Competence.” As a Marco customer, you have access to hundreds of years of cumulative experience related to your operations.
- **Manufacturing Excellence** – Marco is a U.S. based, ISO 9001:2008 certified manufacturer of equipment for the Surface Preparation and Protective Coatings industries. Marco's engineers benchmark the industry to ensure that we design and manufacture superior products that set the “Gold Standard” for performance, safety, and quality.
- **Legendary Customer Service** – Marco's legendary customer service team is staffed by friendly, highly-trained individuals who are focused on providing the highest level of product support, order accuracy, and customer satisfaction.
- **Product Availability** – We stock over 10,000 SKU's and have over 45 shipping locations to serve North American and International markets for all major brands of blasting and painting equipment. As the largest provider of surface preparation and protective coatings equipment in the world, our inventory levels and product availability are unmatched.
- **Logistics Services** – Marco's in-house logistics team is dedicated to moving your shipment anywhere in the world. We move over 14,000 truckloads every year, allowing you to save on freight costs by leveraging our buying power. Lower your process costs with a single invoice, which includes product and freight.
- **Technology Leadership** – Our website provides: Operator's Manuals, Part Numbers and Schematics Guides, MSDS information, and Features and Specifications Guides, providing access to information 24/7. Our Extranet application allows you to receive quotes and place orders online. Our Intranet maintains a complete record of your purchase history to assist with ongoing support of your existing equipment and future purchasing decisions.

Vision Statement

Marco is the world's premier provider of Abrasives, Blasting Equipment, Coating Equipment, Engineered Systems, Rental Equipment, Safety Equipment, Service, and Repair.

Mission Statement

Marco provides strong leadership and innovation to the surface preparation and protective coatings industries. We dedicate our efforts to the continuous improvement of our products, services, processes, people, and most importantly, the quality of our customer's experience.

Quality Statement

Marco is committed to providing superior quality in the design, manufacturing, distribution, rental, service, and repair of our products. Our ISO 9001:2008 certification extends throughout all operations in all locations. Continuous improvement of our processes and supply chain Integration comprise the core of our business strategy for delivering exceptional quality and value in all Marco products and services.

Management Philosophy

We are a company dedicated to the success of every customer and associate. We discuss, debate, challenge, measure, and test our ideas. We will be boundless and limitless in our passion to improve. Through sound leadership and dedicated associates, we will ensure a long term, profitable future for Marco, our associates, customers, and suppliers.

TABLE OF CONTENTS

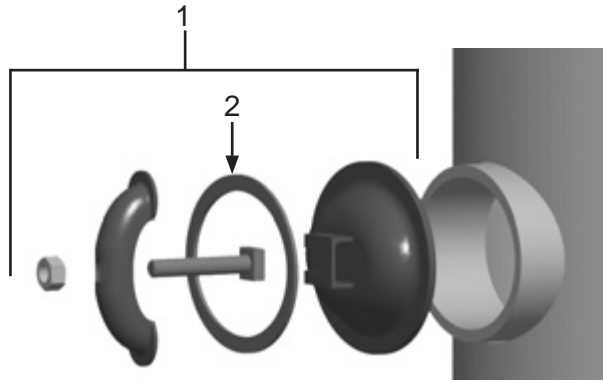
| | |
|--|----|
| Company Profile | 1 |
| Table of Contents | 2 |
| Part Numbers | 3 |
| Part Numbers and Schematics | 4 |
| Inspection Door Assembly | 4 |
| Pop-up Valve Assembly | 4 |
| Blastmaster® 3.5 Cu. Ft. M-Series Abrasive Blasting Pot — Pneumatic | 5 |
| Blastmaster® 3.5 Cu. Ft. M-Series Abrasive Blasting Pot — Electric | 7 |
| Pusher Line Assembly | 9 |
| Exhaust Muffler Assembly | 10 |
| Blastmaster® 125P Remote Control System | 11 |
| 1-1/2" Inlet Valve | 13 |
| 1" Outlet Valve | 14 |
| Abrasive Trap | 15 |
| 120-Volt AC to 12-Volt AC Power Converter | 16 |
| 12-Volt DC Blastmaster® 125E Remote Control System .. | 17 |
| 12-Volt DC 190 Electric Control Assembly | 19 |
| 12-Volt DC 190 Electric Solenoid | 20 |
| 120-Volt AC Blastmaster® 125E Remote Control System. | 21 |
| 12-Volt AC 190 Electric Control Assembly | 23 |
| 12-Volt AC 190 Electric Solenoid | 24 |
| Blastmaster® Bantam Abrasive Metering Valve | 25 |
| Optional Accessories | 27 |
| 1-1/4" Junior Extractor Abrasive Blasting Pot Moisture Separator | 27 |
| Lid and Screen | 28 |
| Loading Skid | 29 |

PART NUMBERS

| BLASTMASTER® 3.5 CU. FT. M-SERIES ABRASIVE BLASTING POT | | | | | | |
|--|---------------------|---|---|--|---|---------------------|
| Part Numbers | Power Source | Blastmaster® Remote Control System | Blastmaster® Remote Control Switch | Blastmaster® Bantam Abrasive Metering Valve | 1-1/4" Junior Extractor Abrasive Blasting Pot Moisture Separator | Loading Skid |
| 1035202 | Pneumatic | 125P | 150P | 1-1/4" | | |
| 1035202PKA | Pneumatic | 125P | 150P | 1-1/4" | X | |
| 1035202PKALS | Pneumatic | 125P | 150P | 1-1/4" | X | X |
| 1035202LS | Pneumatic | 125P | 150P | 1-1/4" | | X |
| 1035203 | Pneumatic | 125P | 150P | 1-1/2" | | |
| 1035203PKA | Pneumatic | 125P | 150P | 1-1/2" | X | |
| 1035203PKALS | Pneumatic | 125P | 150P | 1-1/2" | X | X |
| 1035203LS | Pneumatic | 125P | 150P | 1-1/2" | | X |
| 1035205 | 12-Volt DC | 125E | 151E | 1-1/4" | | |
| 1035205PKA | 12-Volt DC | 125E | 151E | 1-1/4" | X | |
| 1035205PKALS | 12-Volt DC | 125E | 151E | 1-1/4" | X | X |
| 1035205LS | 12-Volt DC | 125E | 151E | 1-1/4" | | X |
| 1035206 | 12-Volt DC | 125E | 151E | 1-1/2" | | |
| 1035206PKA | 12-Volt DC | 125E | 151E | 1-1/2" | X | |
| 1035206PKALS | 12-Volt DC | 125E | 151E | 1-1/2" | X | X |
| 1035206LS | 12-Volt DC | 125E | 151E | 1-1/2" | | X |
| 1035208 | 120-Volt AC | 125E | 151E | 1-1/4" | | |
| 1035208PKA | 120-Volt AC | 125E | 151E | 1-1/4" | X | |
| 1035208PKALS | 120-Volt AC | 125E | 151E | 1-1/4" | X | X |
| 1035208LS | 120-Volt AC | 125E | 151E | 1-1/4" | | X |
| 1035209 | 120-Volt AC | 125E | 151E | 1-1/2" | | |
| 1035209PKA | 120-Volt AC | 125E | 151E | 1-1/2" | X | |
| 1035209PKALS | 120-Volt AC | 125E | 151E | 1-1/2" | X | X |
| 1035209LS | 120-Volt AC | 125E | 151E | 1-1/2" | | X |

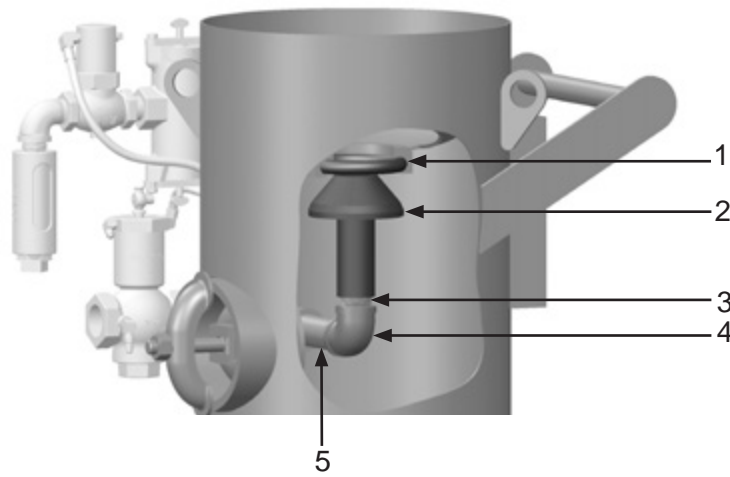
PART NUMBERS AND SCHEMATICS

Figure 1: Inspection Door Assembly



| Item # | Part # | Description |
|---------------|---------|----------------------------------|
| Fig. 1 | | |
| 1 | 1006200 | 6" x 8" Inspection Door Assembly |
| 2 | 1006201 | Gasket |

Figure 2: Pop-up Valve Assembly



| Item # | Part # | Description |
|---------------|---------|--------------------------------|
| Fig. 2 | | |
| 1 | 1006050 | Pop-Up Valve Seat |
| 2 | 1006020 | Pop-Up Valve – External Sleeve |
| 3 | 1011207 | 1-1/4" x 4" Pipe Nipple |
| 4 | 1006204 | 1-1/4" 90° Elbow |
| 5 | 1011200 | 1-1/4" x 7" Pipe Nipple |

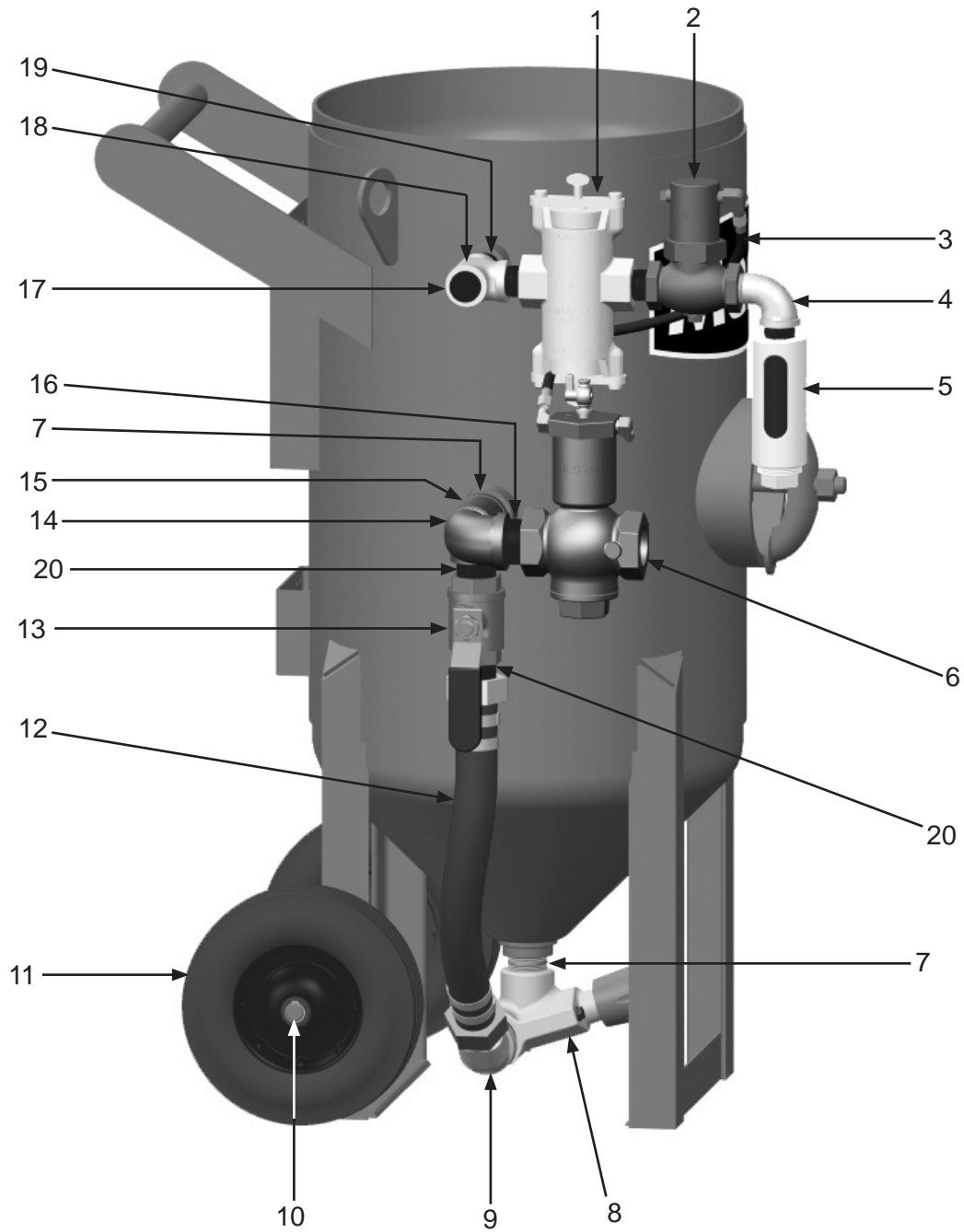
PART NUMBERS AND SCHEMATICS

Blastmaster® 3.5 Cu. Ft. M-Series Abrasive Blasting Pot — Pneumatic

| Item # | Part # | Description |
|---------------|---------|---|
| Fig. 3 | | |
| 1 | 1012000 | 1" Abrasive Trap - Complete |
| 2 | 1012050 | 1" Outlet Valve - Complete |
| 3 | 10CL18 | 18" LNG X 3/16" ID Single Control Line |
| 4 | 1011801 | 1" NPT Street Elbow |
| 5 | 1011100 | Blastmaster® Abrasive Blasting Pot Muffler (See Fig. 6) |
| 6 | 1012200 | 1-1/2" Inlet Valve – Complete |
| 7 | 1011201 | 1-1/4" NPT Close Nipple (Two Required) |
| 8 | 1014101 | Blastmaster® 1-1/4" Bantam Abrasive Metering Valve – Complete |
| | 1014102 | Blastmaster® 1-1/2" Bantam Abrasive Metering Valve – Complete |
| 9 | 1011830 | 1-1/4" 45° Street Elbow |
| | 1011805 | 1-1/2" 45° Street Elbow |
| 10 | 1006211 | Wheel Clip (Two Required) |
| 11 | 1006067 | 10" Wheel (Two Required) |
| 12 | 1006311 | 1-1/4" I.D. Pusher Line Assembly (See Fig. 5) |
| | 1006312 | 1-1/2" I.D. Pusher Line Assembly (See Fig. 5) |
| 13 | 1011602 | 1-1/4" NPT Full Port Brass Ball Valve |
| | 1011603 | 1-1/2" NPT Full Port Brass Ball Valve |
| 14 | 1011839 | 1-1/2" NPT Street Elbow |
| 15 | 1011834 | 1-1/4" x 1-1/2" x 1-1/4" NPT Pipe Tee |
| | 1011833 | 1-1/4" x 1-1/2" x 1-1/2" NPT Pipe Tee |
| 16 | 1014015 | 1-1/2" NPT Close Nipple |
| 17 | 1011901 | 1" Galvanized Square Head Pipe Plug |
| 18 | 1011816 | 1" Galvanized Pipe Tee |
| 19 | 1011843 | 1" x 2-1/2" NPT Close Nipple |
| 20 | 1011201 | 1-1/4" NPT Close Nipple (Two Required) |
| | 1014015 | 1-1/2" NPT Close Nipple (Two Required) |
| — | 105M023 | Features and Specifications Guide – Blastmaster® 150P Remote Control Switch |
| — | 105M057 | Features and Specifications Guide – Blastmaster® 3.5 Cu. Ft. M-Series Abrasive Blasting Pot |
| — | 106M023 | Part Numbers & Schematics Guide – Blastmaster® 150P Remote Control Switch |
| — | 106M057 | Part Numbers & Schematics Guide – Blastmaster® 3.5 Cu. Ft. M-Series Abrasive Blasting Pot |
| — | 1090023 | Operator's Manual – Blastmaster® 150P Remote Control Switch |
| — | 1090057 | Operator's Manual – Blastmaster® 3.5 Cu. Ft. M-Series Abrasive Blasting Pot |

PART NUMBERS AND SCHEMATICS

Figure 3: Blastmaster® 3.5 Cu. Ft. M-Series Abrasive Blasting Pot — Pneumatic



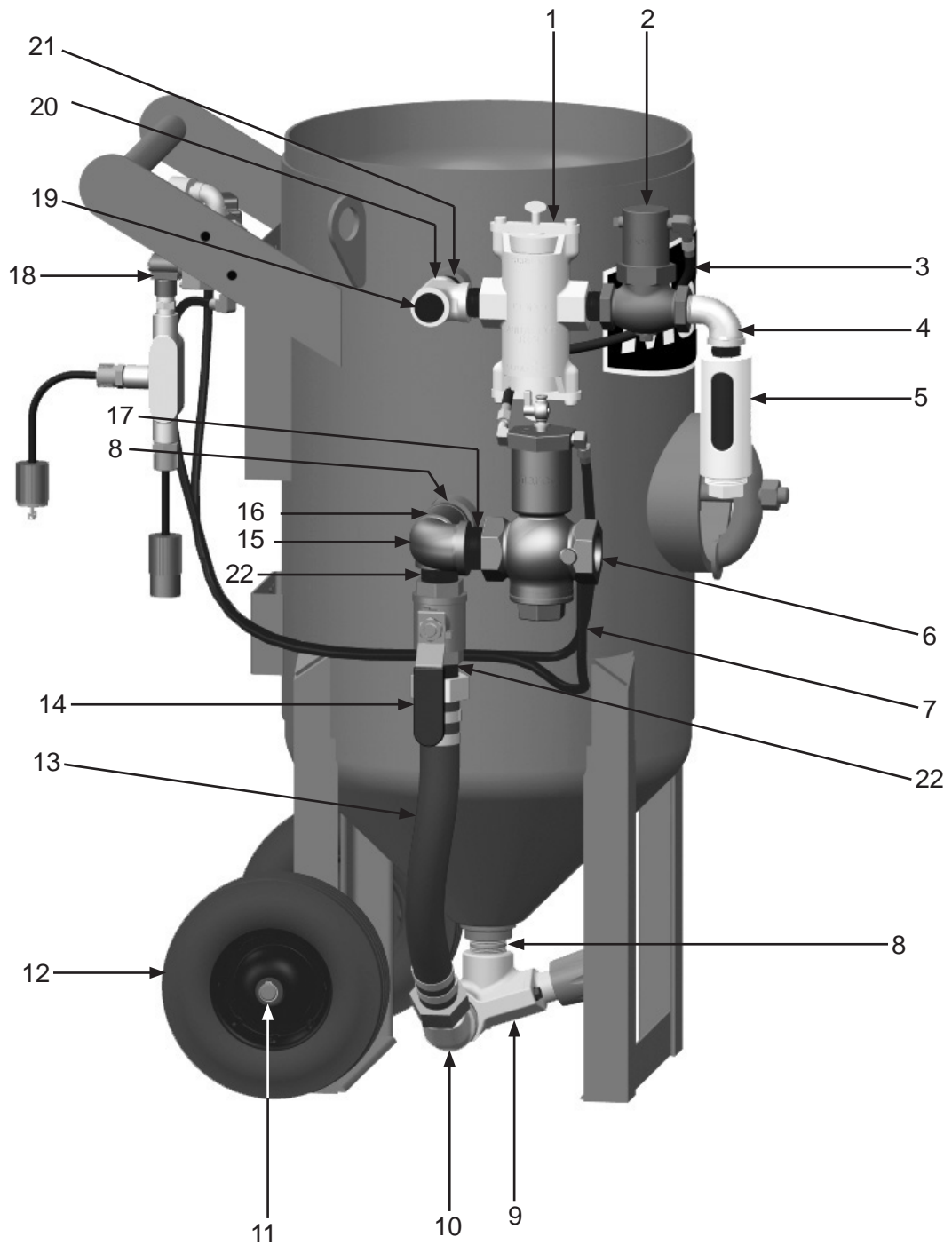
PART NUMBERS AND SCHEMATICS

Blastmaster® 3.5 Cu. Ft. M-Series Abrasive Blasting Pot — Electric

| Item # | Part # | Description |
|---------------|---------|---|
| Fig. 4 | | |
| 1 | 1012000 | 1" Abrasive Trap |
| 2 | 1012050 | 1" Outlet Valve |
| 3 | 10CL18 | 18" LNG X 3/16" ID Single Control Line |
| 4 | 1011801 | 1" Galvanized Street Elbow |
| 5 | 1011100 | Blastmaster® Abrasive Blasting Pot Muffler (<i>See Fig. 6</i>) |
| 6 | 1012200 | 1-1/2" Inlet Valve |
| 7 | 10AH025 | 1/4" Push-on Air Hose (<i>Per Foot</i>) |
| 8 | 1011201 | 1-1/4" NPT Close Nipple (<i>Two Required</i>) |
| 9 | 1014101 | Blastmaster® 1-1/4" Bantam Abrasive Metering Valve – Complete |
| | 1014102 | Blastmaster® 1-1/2" Bantam Abrasive Metering Valve – Complete |
| 10 | 1011830 | 1-1/4" 45° Street Elbow |
| | 1011805 | 1-1/2" 45° Street Elbow |
| 11 | 1006205 | 1" Wheel Clip (<i>Two Required</i>) |
| 12 | 1006067 | 10" Wheel (<i>Two Required</i>) |
| 13 | 1006311 | 1-1/4" I.D. Pusher Line Assembly (<i>See Fig. 5</i>) |
| | 1006312 | 1-1/2" I.D. Pusher Line Assembly (<i>See Fig. 5</i>) |
| 14 | 1011602 | 1-1/4" NPT Full Port Brass Ball Valve |
| | 1011603 | 1-1/2" NPT Full Port Brass Ball Valve |
| 15 | 1011839 | 1-1/2" NPT Street Elbow |
| 16 | 1011834 | 1-1/4" x 1-1/2" x 1-1/4" NPT Pipe Tee |
| | 1011833 | 1-1/4" x 1-1/2" x 1-1/2" NPT Pipe Tee |
| 17 | 1014015 | 1-1/2" NPT Close Nipple |
| 18 | 1019001 | 12-Volt DC 190 Electric Control Assembly |
| | 1019002 | 12-Volt AC 190 Electric Control Assembly |
| 19 | 1011901 | 1" Galvanized Square Head Pipe Plug |
| 20 | 1011816 | 1" Galvanized Pipe Tee |
| 21 | 1011843 | 1" x 2-1/2" NPT Close Nipple |
| 22 | 1011201 | 1-1/4" NPT Close Nipple (<i>Two Required</i>) |
| | 1014015 | 1-1/2" NPT Close Nipple (<i>Two Required</i>) |
| — | 105M063 | Features and Specifications Guide – Blastmaster® 151E Remote Control Switch |
| — | 105M057 | Features and Specifications Guide – Blastmaster® 3.5 Cu. Ft. M-Series Abrasive Blasting Pot |
| — | 106M063 | Part Numbers & Schematics Guide – Blastmaster® 151E Remote Control Switch |
| — | 106M057 | Part Numbers & Schematics Guide – Blastmaster® 3.5 Cu. Ft. M-Series Abrasive Blasting Pot |
| — | 1090063 | Operator's Manual – Blastmaster® 151E Remote Control Switch |
| — | 1090057 | Operator's Manual – Blastmaster® 3.5 Cu. Ft. M-Series Abrasive Blasting Pot |

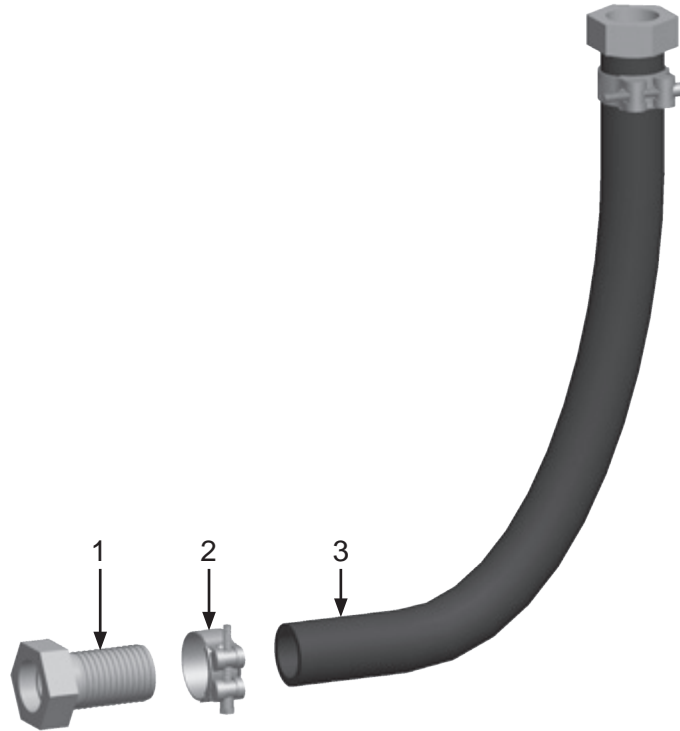
PART NUMBERS AND SCHEMATICS

Figure 4: Blastmaster® 3.5 Cu. Ft. M-Series Abrasive Blasting Pot — Electric



PART NUMBERS AND SCHEMATICS

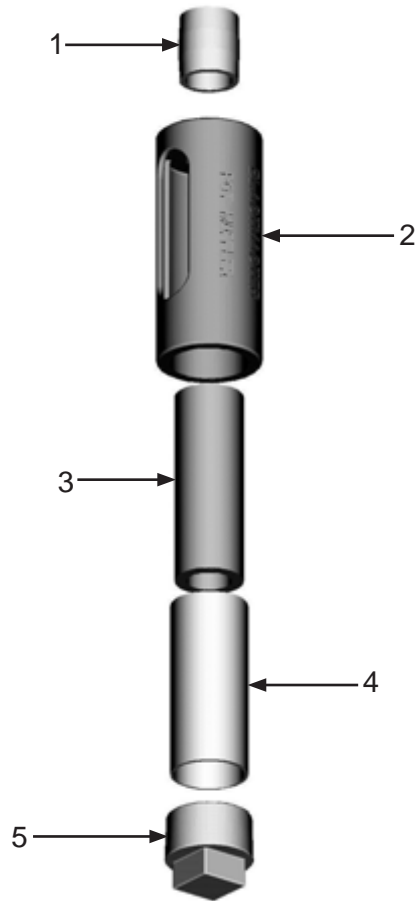
Figure 5: Pusher Line Assembly



| Item # | Part # | Description |
|---------------|----------------------|--|
| Fig. 5 | | |
| — | 1006311 | 1-1/4" I.D. Pusher Line Assembly <i>Includes Item #: 1, 2, and 3 (Quantity of Three Feet)</i> |
| — | 1006312 | 1-1/2" I.D. Pusher Line Assembly <i>Includes Item #: 1, 2, and 3 (Quantity of Three Feet)</i> |
| 1 | 10SFE3 10SFE4 | 1-1/4" Female Swivel Air Hose End <i>(Two Required)</i> 1-1/2" Female Swivel Air Hose End <i>(Two Required)</i> |
| 2 | 10103737 10103738 | 1-1/4" T-Bolt Hose Clamp <i>(Two Required)</i> 1-1/2" T-Bolt Hose Clamp <i>(Two Required)</i> |
| 3 | 10AH114B 10AH112B | 1-1/4" I.D. Air Hose 1-1/2" I.D. Air Hose |
| — | 10SFE3G | Gasket for 10SFE3 Swivel Air Hose End <i>(Not Shown)</i> |
| — | 10SFE4G | Gasket for 10SFE4 Swivel Air Hose End <i>(Not Shown)</i> |
| — | 1090059 | Technical Data Sheet – Pusher Line Assemblies |

PART NUMBERS AND SCHEMATICS

Figure 6: Exhaust Muffler Assembly



| Item # | Part # | Description |
|---------------|----------------|---|
| Fig. 6 | | |
| — | 1011100 | Blastmaster® Abrasive Blasting Pot Muffler – Complete |
| 1 | 1012151 | 1" Close Nipple |
| 2 | 1011102 | Body |
| 3 | 1011103 | Filter Element |
| 4 | 1011104 | Screen |
| 5 | 1011101 | 1-1/2" Pipe Plug |
| — | 1011105 | Blastmaster® Abrasive Blasting Pot Muffler Service Kit <i>Includes Item #'s: 3 (Quantity of Three), 4, and 5</i> |
| — | 105M347 | Features and Specifications Guide – Blastmaster® Abrasive Blasting Pot Mufflers |
| — | 106M347 | Part Numbers And Schematics Guide – Blastmaster® Abrasive Blasting Pot Mufflers |

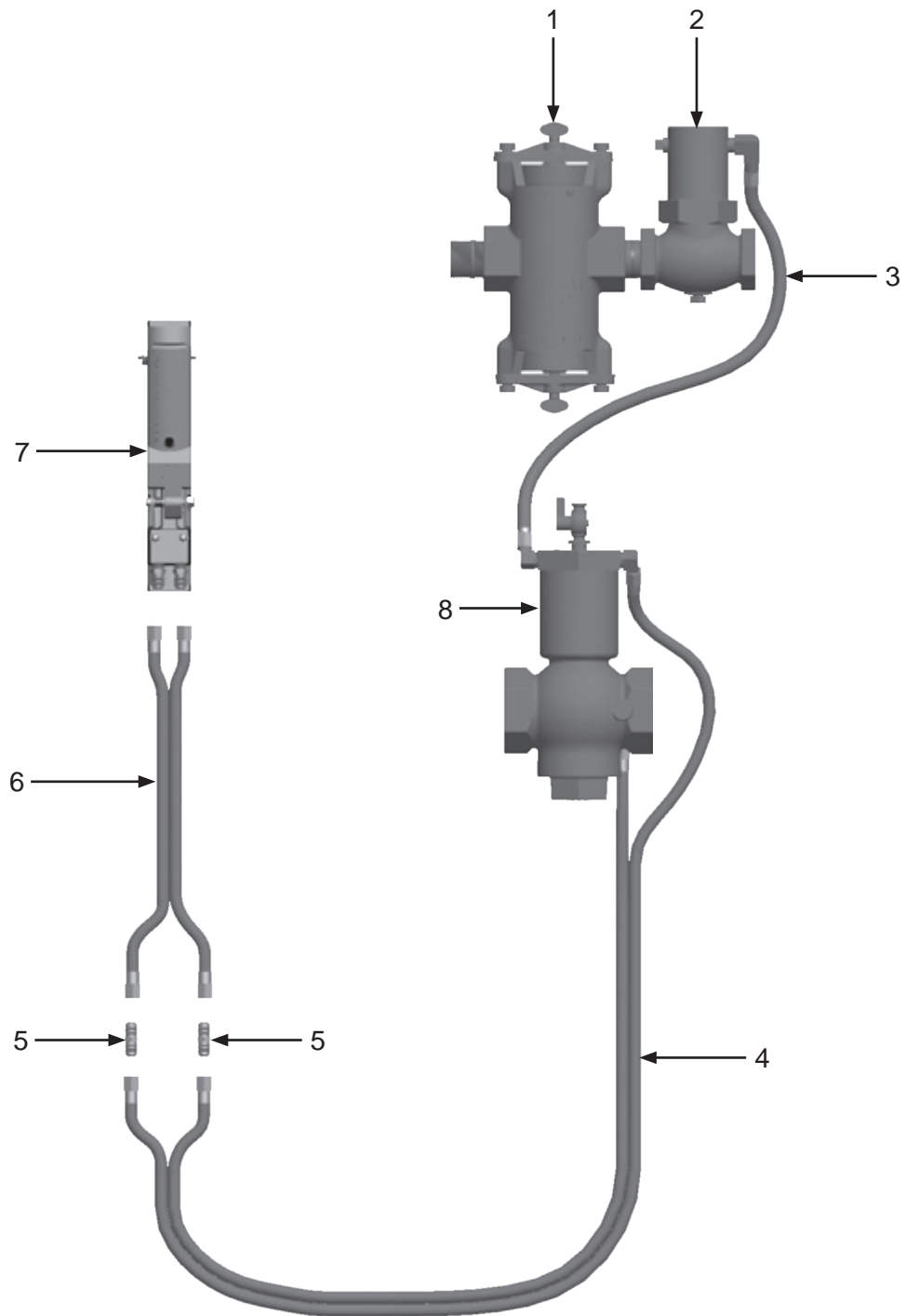
PART NUMBERS AND SCHEMATICS

Blastmaster® 125P Remote Control System

| Item # | Part # | Description |
|--------|---------|---|
| Fig. 7 | | |
| — | 1012500 | Blastmaster® 125P Remote Control System – Complete |
| 1 | 1012000 | Abrasive Trap – Complete <i>(see Figure 10)</i> |
| 2 | 1012050 | 1" Outlet Valve – Complete <i>(see Figure 9)</i> |
| 3 | 10CL18 | Coupled Pneumatic Control Line – 18 Inches |
| 4 | 10TL5 | Coupled Pneumatic Control Line – 5 Feet |
| 5 | 1017001 | 3/16" Control Line Union <i>(Two Required)</i> |
| 6 | 10TL50 | Coupled Pneumatic Control Line – 50 Feet |
| | 10TL100 | Coupled Pneumatic Control Line – 100 Feet <i>(optional)</i> |
| 7 | 1015000 | Blastmaster® 150P Remote Control Switch – Complete |
| 8 | 1012200 | 1-1/2" Inlet Valve – Complete <i>(see Figure 8)</i> |
| — | 1011501 | 1-1/2" NPT (M) x 1-1/4" NPT (F) Bushing <i>(Not Shown)</i> |

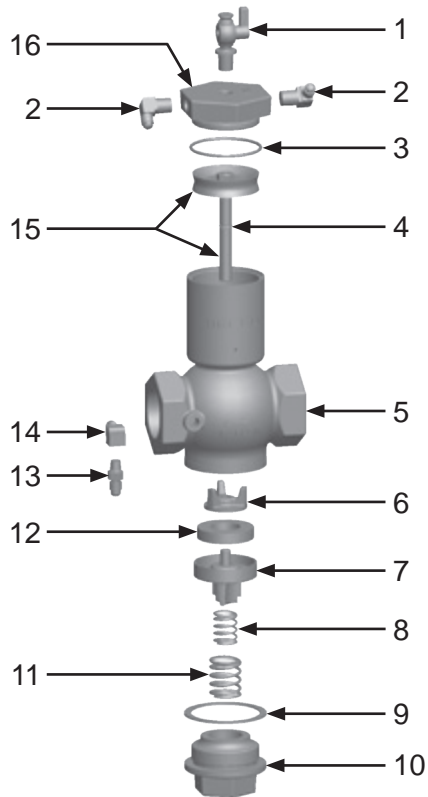
PART NUMBERS AND SCHEMATICS

Figure 7: Blastmaster® 125P Remote Control System



PART NUMBERS AND SCHEMATICS

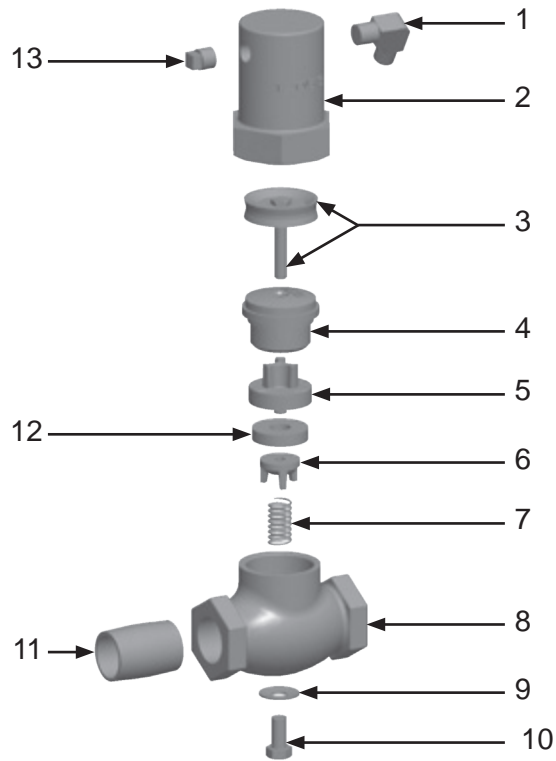
Figure 8: 1-1/2" Inlet Valve



| Item # | Part # | Description |
|---------------|----------------|--|
| Fig. 8 | | |
| — | 1012200 | 1-1/2" Inlet Valve – Complete |
| 1 | 1012101 | 1/4" NPT Petcock |
| 2 | 1012051 | 1/4" NPT Brass Elbow (<i>Two Required</i>) |
| 3 | 1012213 | 1/8" x 2-1/2" O-ring |
| 4 | 1012208 | 1/16" x 7/16" O-ring |
| 5 | 1012204 | 1-1/2" Body |
| 6 | 1012207 | 1-1/2" Plug Washer Retainer |
| 7 | 1012205 | 1-1/2" Plug |
| 8 | 1012105 | 5/8" x 1-11/16" Inner Spring |
| 9 | 1012202 | 1-1/2" Bottom Cap Gasket |
| 10 | 1012201 | 1-1/2" Bottom Cap |
| 11 | 1012203 | 7/8" x 2-1/16" Outer Spring |
| 12 | 1012206 | 1-1/2" Plug Washer |
| 13 | 1012103 | 1/8" Adapter with 1/16" Restrictor Port |
| 14 | 1012113 | 1/8" Street Elbow |
| 15 | 1012209 | Piston and Rod Assembly |
| 16 | 1012214 | 1-1/2" Cylinder Cap |
| — | 1012215 | 1-1/2" Inlet Valve Repair Kit (Includes Item #'s: 3,4,8,9,11, and 12 (Quantity of Two)) |

PART NUMBERS AND SCHEMATICS

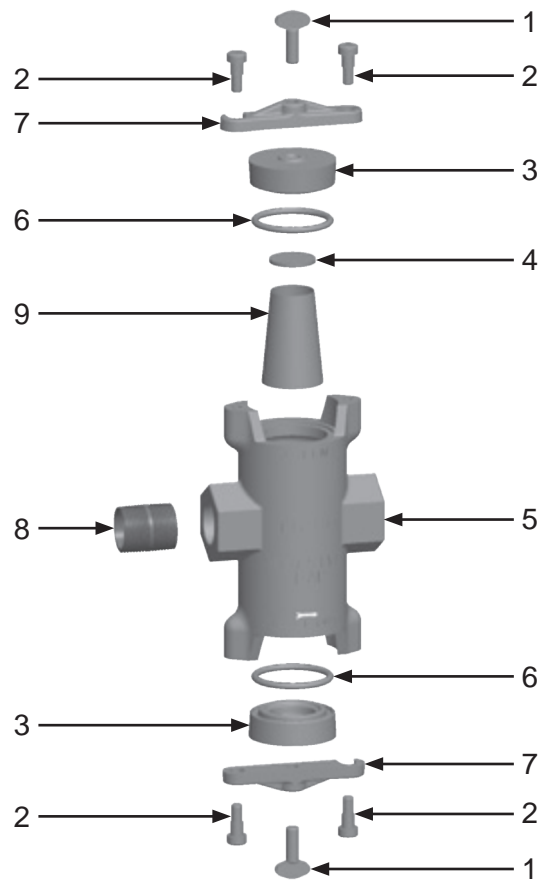
Figure 9: 1" Outlet Valve



| Item # | Part # | Description |
|---------------|----------------|---|
| Fig. 9 | | |
| — | 1012050 | 1" Outlet Valve – Complete |
| 1 | 1012051 | 1/4" x 1/4" Brass Elbow |
| 2 | 1012053 | Bonnet |
| 3 | 1012054 | Piston and Rod Assembly |
| 4 | 1012058 | Plug and Spindle Guide |
| 5 | 1012059 | Plug |
| 6 | 1012061 | Plug Washer Retainer |
| 7 | 1012063 | 7/16" x 1-5/8" Spring |
| 8 | 1012062 | Body |
| 9 | 1012064 | 3/8" Nylon Washer |
| 10 | 1012065 | 3/8" x 3/4" Bolt |
| 11 | 1012151 | 1" NPT Close Nipple |
| 12 | 1012060 | Plug Washer |
| 13 | 1012052 | 1/4" NPT Pipe Plug |
| — | 1012066 | 1" Outlet Valve Repair Kit (Includes Item #'s: 5,6,7,9,10, and 12 (Quantity of Two)) |

PART NUMBERS AND SCHEMATICS

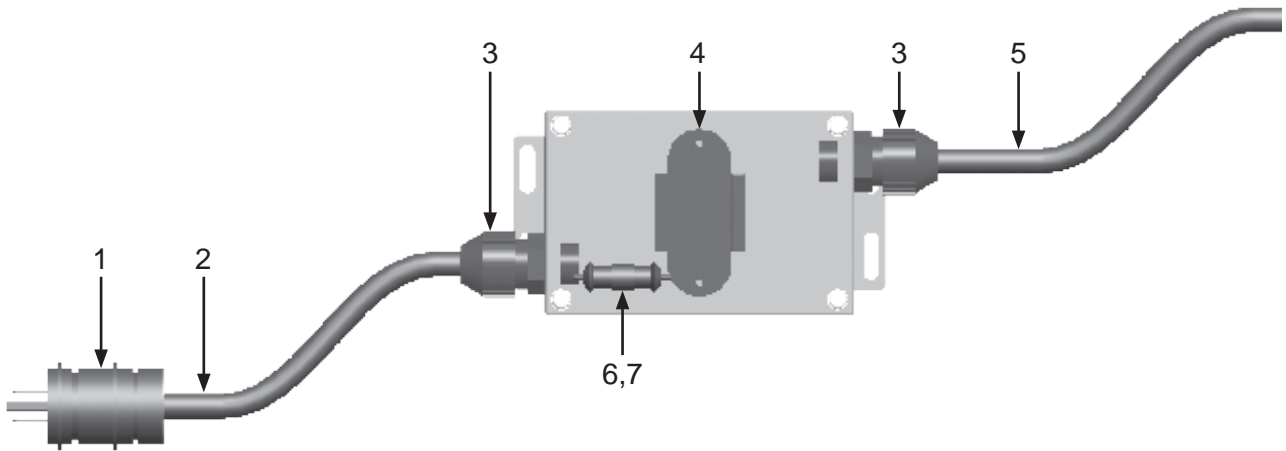
Figure 10: Abrasive Trap



| Item # | Part # | Description |
|---------|----------------|--|
| Fig. 10 | | |
| — | 1012000 | Abrasive Trap – Complete |
| 1 | 1012006 | Thumb Screw <i>(Two Required)</i> |
| 2 | 1012007 | 3/8" x 3/8" Shoulder Bolt <i>(Four Required)</i> |
| 3 | 1012003 | Abrasive Trap Cap <i>(Two Required)</i> |
| 4 | 1012008 | Abrasive Trap Screen Gasket |
| 5 | 1012004 | Abrasive Trap Body |
| 6 | 1012002 | Abrasive Trap O-ring <i>(Two Required)</i> |
| 7 | 1012005 | Cap Lock Bar <i>(Two Required)</i> |
| 8 | 1012151 | 1" NPT Close Nipple |
| 9 | 1012001 | Abrasive Trap Screen |
| — | 1012009 | Abrasive Trap Repair Kit <i>(Includes Item #'s: 4,6 (Quantity of Two), and 9 (Quantity of Three))</i> |

PART NUMBERS AND SCHEMATICS

Figure 11: 120-Volt AC to 12-Volt AC Power Converter



| Item # | Part # | Description |
|---------|----------------|---|
| Fig. 11 | | |
| — | 1030020 | Marco 120-Volt AC to 12-Volt AC Power Converter – Complete |
| 1 | 1030026 | 3-prong, 120-Volt AC Plug – Male |
| 2 | 1015550 | 14/3 SEOW Power Cord (<i>Per Foot</i>) |
| 3 | 1030025 | Strain Relief (<i>Two Required</i>) |
| 4 | 1030022 | Transformer – Marco 120-Volt AC to 12-Volt AC Power Converter |
| 5 | 1030013 | 14/2 SEOW Power Cord (<i>Per Foot</i>) |
| 6 | 1030024 | 2 Amp Fuse |
| 7 | 1030023 | In-Line Fuse Holder |
| — | 1030021 | Resistor (<i>Not Shown</i>) |
| — | 1091063 | Marco 120-Volt AC to 12-Volt AC Power Converter Hazard Identification Label |
| — | 1091067 | Power-Out Decal (<i>Not Shown</i>) |
| — | 1092014 | Power-In Decal (<i>Not Shown</i>) |

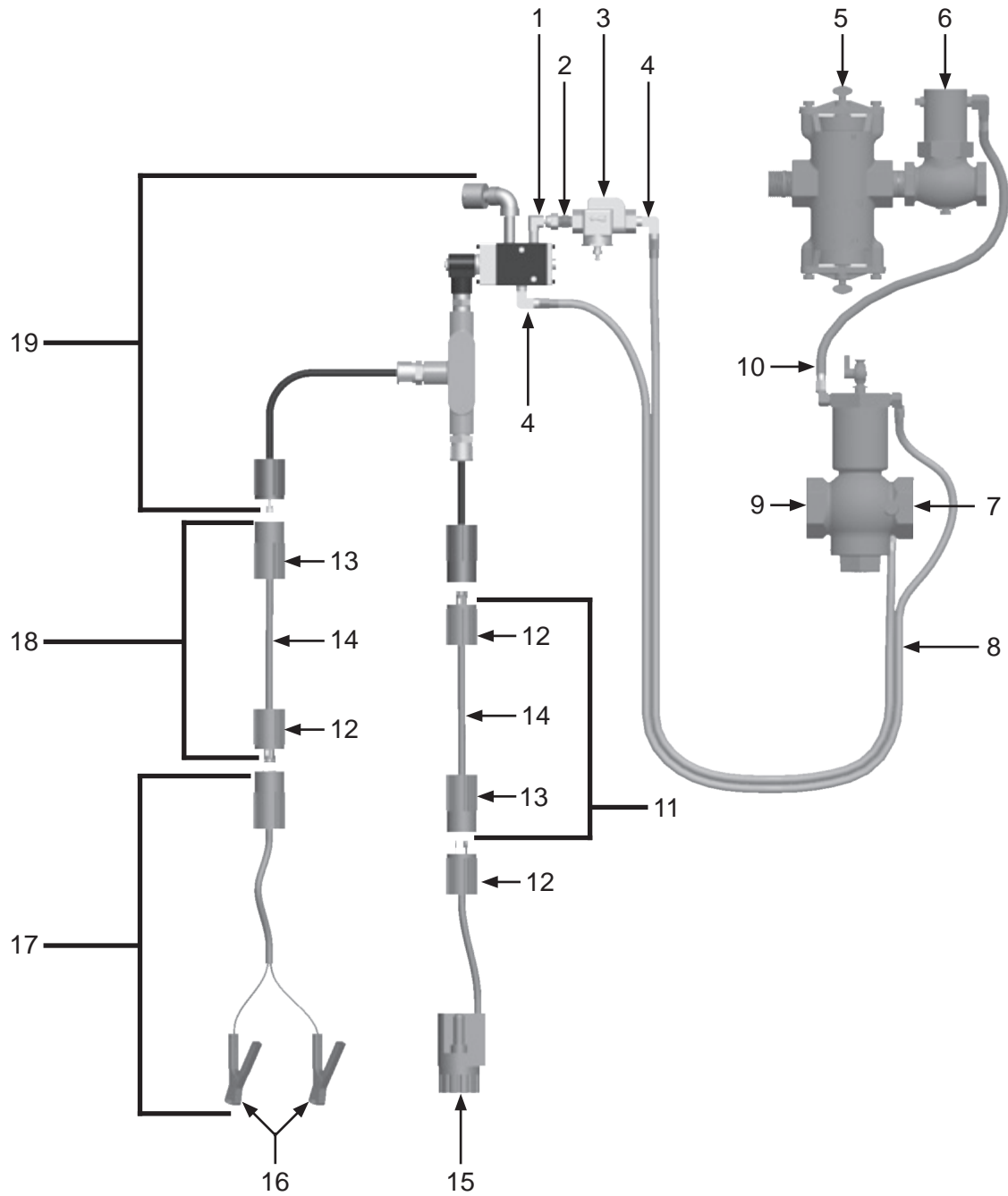
PART NUMBERS AND SCHEMATICS

12-Volt DC Blastmaster® 125E Remote Control System

| Item # | Part # | Description |
|----------------|----------------|--|
| Fig. 12 | | |
| — | 1012551 | 12-Volt DC Blastmaster® 125E Remote Control System – Complete |
| 1 | 1012326 | 1/4" NPT 90° Swivel Fitting |
| 2 | 1017019 | 1/4" X 1/4" Hex Nipple |
| 3 | 10WS | Watts Strainer |
| 4 | 1012051 | 1/4" NPT Brass Elbow <i>(Two Required)</i> |
| 5 | 1012000 | Abrasive Trap – Complete <i>(see Figure 19)</i> |
| 6 | 1012050 | 1" Outlet Valve – Complete <i>(see Figure 18)</i> |
| 7 | 1011501 | 1-1/2" NPT (M) x 1-1/4" NPT (F) Bushing |
| 8 | 10TL5 | Coupled Pneumatic Twinline Hose – 5 Feet |
| 9 | 1012200 | 1-1/2" Inlet Valve – Complete <i>(see Figure 17)</i> |
| 10 | 10CL18 | Coupled Pneumatic Control Line – 18 inches |
| 11 | 1015542 | 50 Feet of Electric Control Line with Male and Female Twist-Lock Plugs <i>(Includes Item #'s: 12, 13, and 14 (Quantity of 50 Feet))</i> |
| 12 | 1015551 | 2-prong Twist-Lock Plug – Male |
| 13 | 1015552 | 2-prong Twist-Lock Plug – Female |
| 14 | 1015540 | 16/2 Power Cord – per foot |
| 15 | 1015600 | Blastmaster® 156E Remote Control Switch – Complete |
| 16 | 1030718 | Battery Clamps (pair) |
| 17 | 1015541 | Battery Clamp Kit <i>(Includes Item #'s: 13, 14 (Quantity of Two Feet), and 16)</i> |
| 18 | 1015543 | 25 Feet of Electric Control Line with Male and Female Twist-Lock Plugs <i>(Includes Item #'s: 12, 13, and 14 (Quantity of 25 Feet))</i> |
| 19 | 1019001 | 12-Volt DC 190 Electric Control Assembly <i>(See Figure 11)</i> |

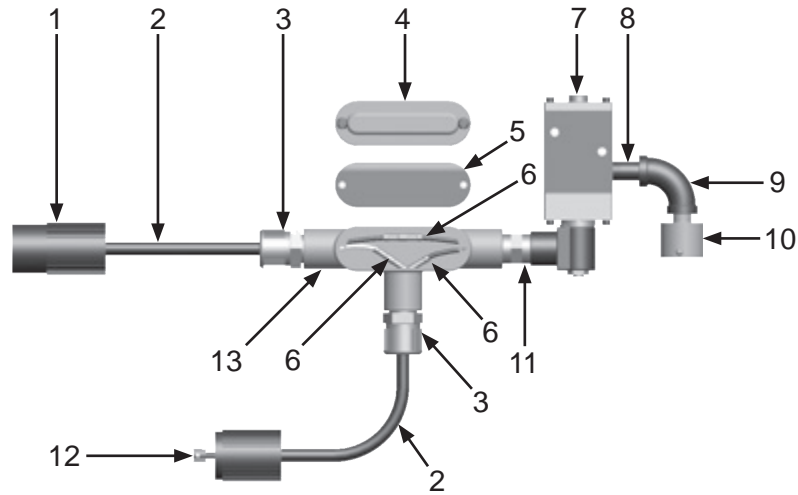
PART NUMBERS AND SCHEMATICS

Figure 12: 12-Volt DC Blastmaster® 125E Remote Control System



PART NUMBERS AND SCHEMATICS

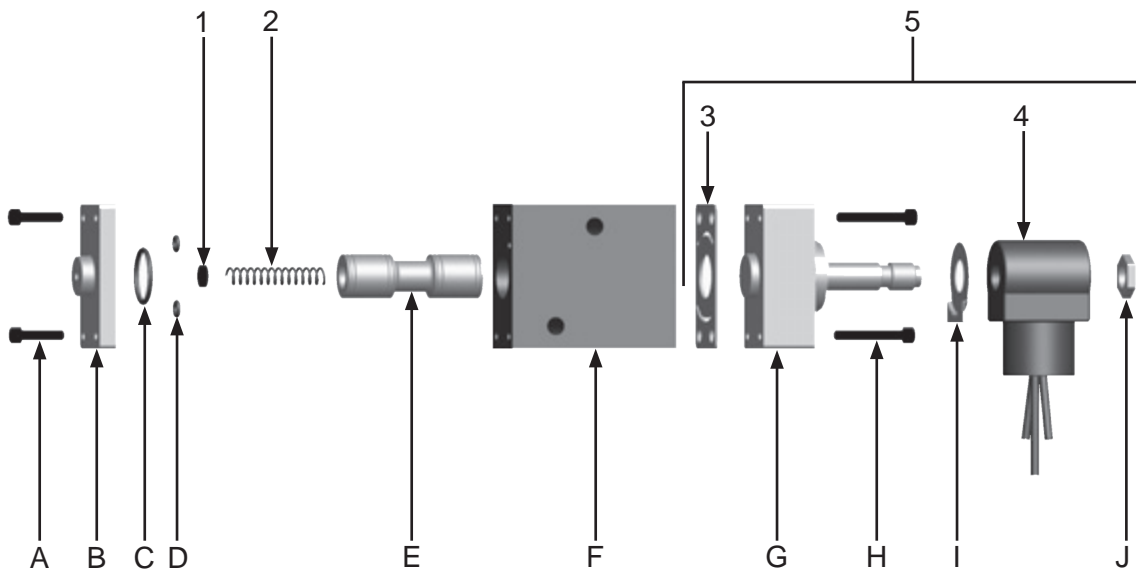
Figure 13: 12-Volt DC 190 Electric Control Assembly



| Item # | Part # | Description |
|----------------|----------------|--|
| Fig. 13 | | |
| — | 1019001 | 12-Volt DC 190 Electric Control Assembly – Complete |
| 1 | 1015552 | 2-prong Twist-Lock Plug – Female |
| 2 | 1015540 | 16/2 Electric Cord – per foot |
| 3 | 1019021 | Cord Grip (<i>Two Required</i>) |
| 4 | 1019022 | Conduit Box Cover |
| 5 | 1019023 | Conduit Box Cover Gasket |
| 6 | 1030028 | Butt Splicer |
| 7 | 1019010 | 12-Volt DC Electric Solenoid – Complete (<i>see Figure 12</i>) |
| 8 | 1011217 | 1/4" x 2" Pipe Nipple |
| 9 | 1011832 | 1/4" NPT 90° Pipe Nipple |
| 10 | 10DE025 | Dust Eliminator |
| 11 | 20100677 | 1/2" x 1/2" NPT Hex Nipple |
| 12 | 1015551 | 2-prong Twist-Lock Plug – Male |
| 13 | 1090020 | 1/2" Tee Conduit Box |

PART NUMBERS AND SCHEMATICS

Figure 14: 12-Volt DC 190 Electric Solenoid



| Item # | Part # | Description |
|--------|--------|-------------|
|--------|--------|-------------|

Fig. 14

| | | |
|---|---------|---|
| — | 1019010 | 12-Volt DC 190 Electric Solenoid – Complete |
|---|---------|---|

| | | |
|---|---------|-------------|
| 1 | 1019029 | Felt Filter |
|---|---------|-------------|

| | | |
|---|---------|--------|
| 2 | 1019032 | Spring |
|---|---------|--------|

| | | |
|---|---------|--------|
| 3 | 1019033 | Gasket |
|---|---------|--------|

| | | |
|---|---------|-----------------|
| 4 | 1019039 | 12-Volt DC Coil |
|---|---------|-----------------|

| | | |
|---|---------|--|
| 5 | 1019034 | 12-Volt DC Operator Assembly (Includes Items: #3, #4, G, H, I, and J) |
|---|---------|--|

| | | |
|---|---------|---|
| — | 1019030 | Electric Solenoid Repair Kit (Includes Items: #1, #2, #3, C, D, and E) |
|---|---------|---|

* Items A–J are not available individually

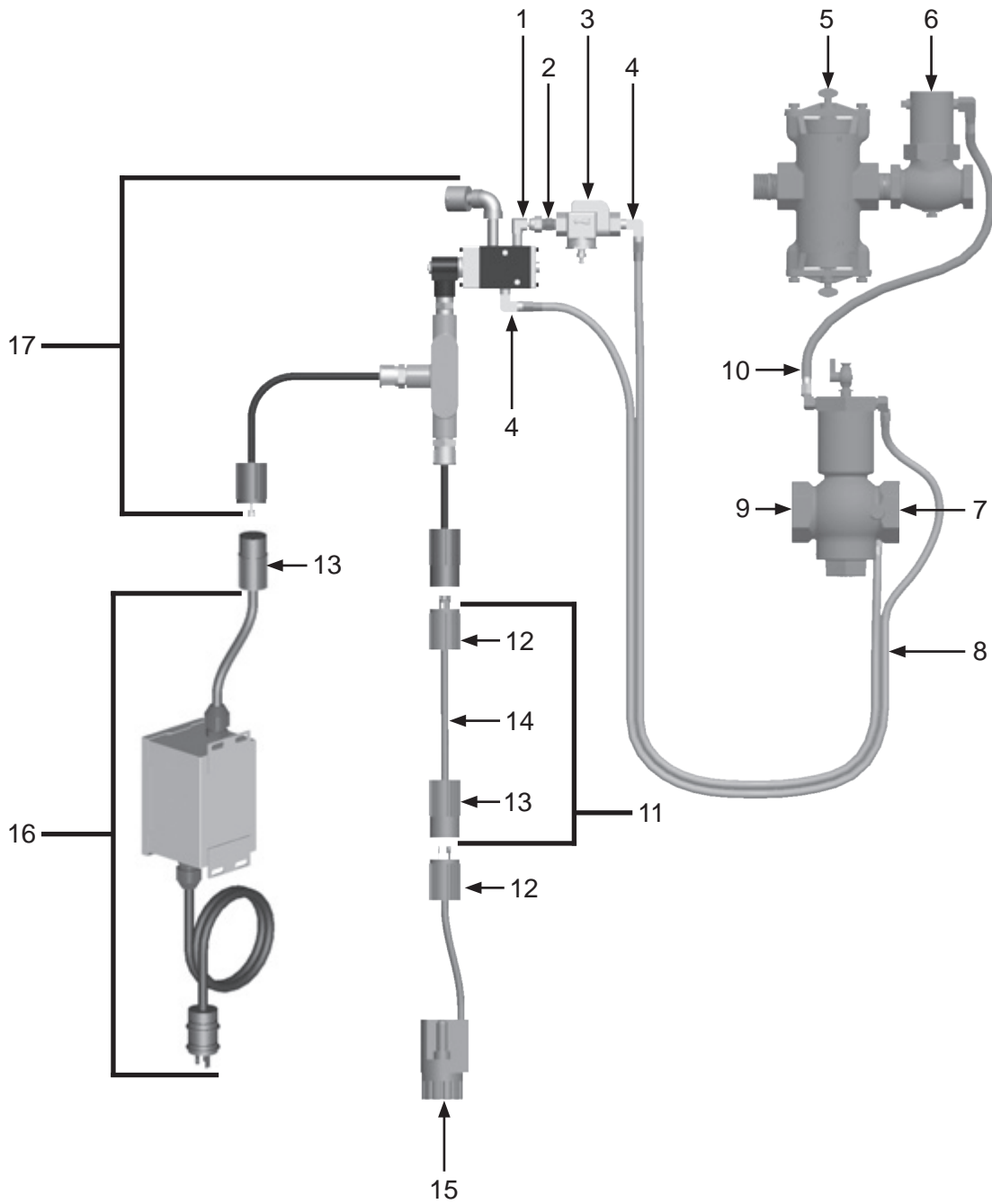
PART NUMBERS AND SCHEMATICS

120-Volt AC Blastmaster® 125E Remote Control System

| Item # | Part # | Description |
|----------------|----------------|--|
| Fig. 15 | | |
| — | 1012552 | 120-Volt AC Blastmaster® 125E Remote Control System – Complete |
| 1 | 1012326 | 1/4" NPT 90° Swivel Fitting |
| 2 | 1017019 | 1/4" X 1/4" Hex Nipple |
| 3 | 10WS | Watts Strainer |
| 4 | 1012051 | 1/4" NPT Brass Elbow <i>(Two Required)</i> |
| 5 | 1012000 | Abrasive Trap – Complete <i>(see Figure 19)</i> |
| 6 | 1012050 | 1" Outlet Valve – Complete <i>(see Figure 18)</i> |
| 7 | 1011501 | 1-1/2" NPT (M) x 1-1/4" NPT (F) Bushing |
| 8 | 10TL5 | Coupled Pneumatic Control Line – 5 Feet |
| 9 | 1012200 | 1-1/2" Inlet Valve – Complete <i>(see Figure 17)</i> |
| 10 | 10CL18 | Coupled Pneumatic Control Line – 18 inches |
| 11 | 1015542 | 50 Feet of Electric Control Line with Male and Female Twist-Lock Plugs <i>(Includes Item #'s: 12, 13, and 14 (Quantity of 50 Feet))</i> |
| 12 | 1015551 | 2-prong Twist-Lock Plug – Male |
| 13 | 1015552 | 2-prong Twist-Lock Plug – Female |
| 14 | 1015540 | 16/2 Power Cord – per foot |
| 15 | 1015600 | Blastmaster® 156E Remote Control Switch – Complete |
| 16 | 1030020 | Marco 120-Volt AC to 12-Volt AC Power Converter <i>(see Figure 16)</i> |
| 17 | 1019002 | 12-Volt AC 190 Electric Control Assembly <i>(see Figure 14)</i> |

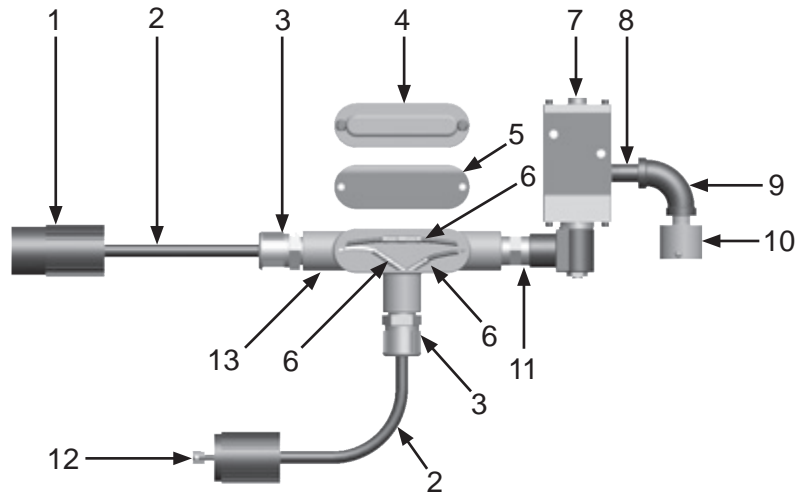
PART NUMBERS AND SCHEMATICS

Figure 15: 120-Volt AC Blastmaster® 125E Remote Control System



PART NUMBERS AND SCHEMATICS

Figure 16: 12-Volt AC 190 Electric Control Assembly



Item # Part #

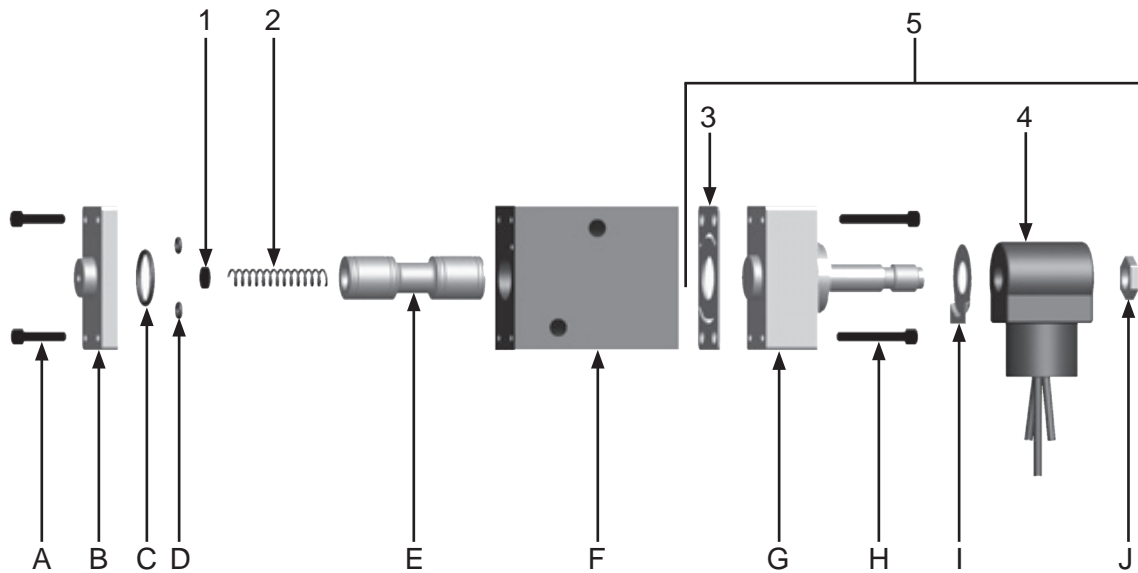
Description

Fig. 16

| Item # | Part # | Description |
|--------|----------------|--|
| — | 1019002 | 12-Volt AC 190 Electric Control Assembly – Complete |
| 1 | 1015552 | 2-prong Twist-Lock Plug – Female |
| 2 | 1015540 | 16/2 Power Cord – per foot |
| 3 | 1019021 | Cord Grip (<i>Two Required</i>) |
| 4 | 1019022 | Conduit Box Cover |
| 5 | 1019023 | Conduit Box Cover Gasket |
| 6 | 1030028 | Butt Splicer |
| 7 | 1019011 | 12-Volt AC Electric Solenoid – Complete (<i>see Figure 15</i>) |
| 8 | 1011217 | 1/4" x 2" Pipe Nipple |
| 9 | 1011832 | 1/4" NPT 90° Pipe Nipple |
| 10 | 10DE025 | Dust Eliminator |
| 11 | 20100677 | 1/2" x 1/2" NPT Hex Nipple |
| 12 | 1015551 | 2-prong Twist-Lock Plug – Male |
| 13 | 1090020 | 1/2" Tee Conduit Box |

PART NUMBERS AND SCHEMATICS

Figure 17: 12-Volt AC 190 Electric Solenoid



| Item # | Part # | Description |
|--------|--------|-------------|
|--------|--------|-------------|

Fig. 17

| | | |
|---|----------------|--|
| — | 1019011 | 12-Volt AC 190 Electric Solenoid – Complete |
|---|----------------|--|

| | | |
|---|---------|-------------|
| 1 | 1019029 | Felt Filter |
|---|---------|-------------|

| | | |
|---|---------|--------|
| 2 | 1019032 | Spring |
|---|---------|--------|

| | | |
|---|---------|--------|
| 3 | 1019033 | Gasket |
|---|---------|--------|

| | | |
|---|---------|-----------------|
| 4 | 1019040 | 12-Volt AC Coil |
|---|---------|-----------------|

| | | |
|---|---------|---|
| 5 | 1019035 | 12-Volt AC Electric Operator Assembly (Includes Items: #3, #4, G, H, I, and J) |
|---|---------|---|

| | | |
|---|---------|--|
| — | 1019030 | 12-Volt AC Electric Solenoid Repair Kit (Includes Items: #1, #2, #3, C, D, and E) |
|---|---------|--|

* Items A–J are not available individually

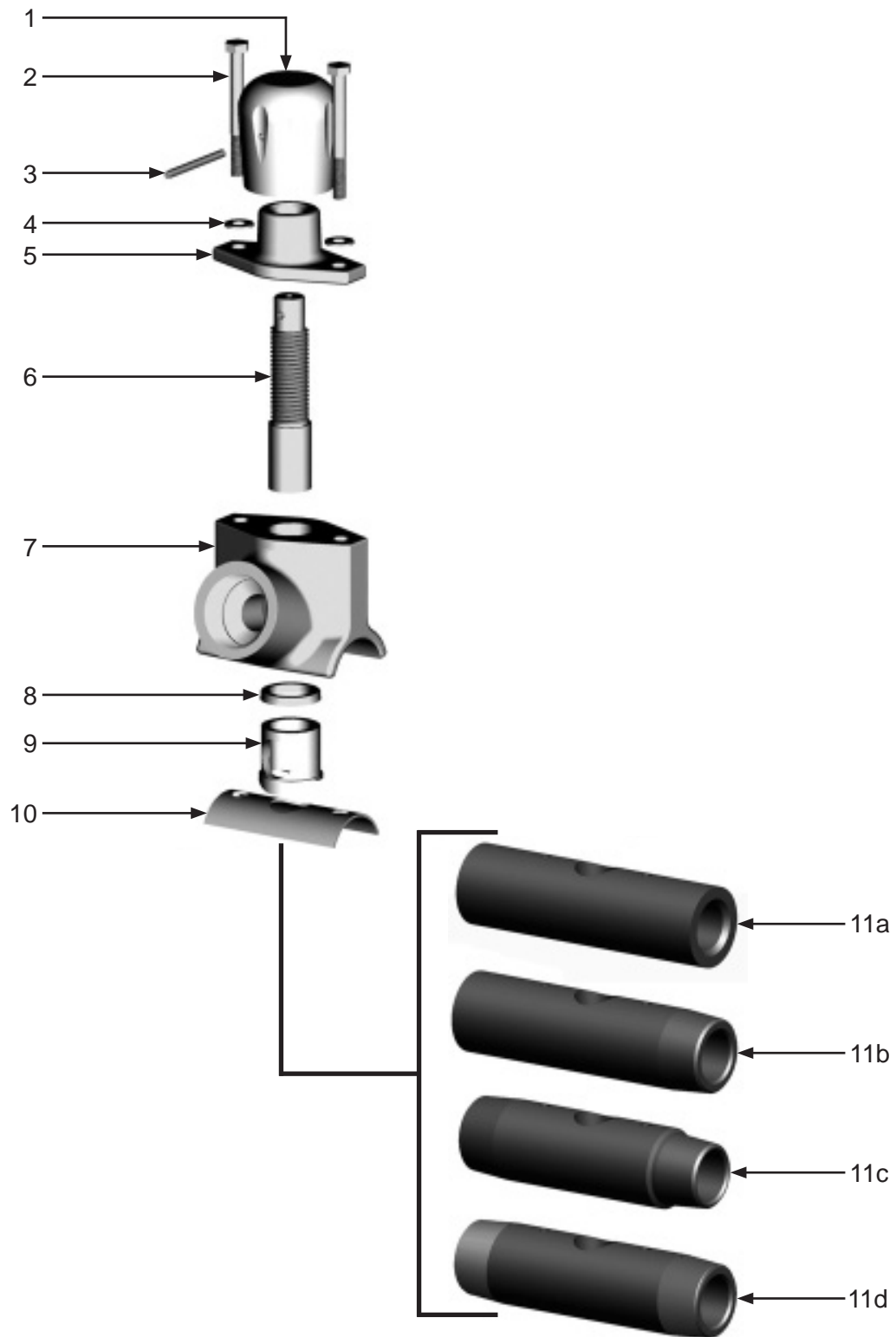
PART NUMBERS AND SCHEMATICS

Blastmaster® Bantam Abrasive Metering Valve

| Item # | Part # | |
|----------------|----------------|---|
| Fig. 18 | | |
| — | 1014103 | 1" Female x 1" Female Blastmaster® Bantam Abrasive Metering Valve – Complete <i>(For use with 1/2" I.D. Abrasive Blasting Hose)</i> |
| — | 1014100 | 1" Blastmaster® Bantam Abrasive Metering Valve – Complete |
| — | 1014101 | 1-1/4" Blastmaster® Bantam Abrasive Metering Valve – Complete |
| — | 1014102 | 1-1/2" Blastmaster® Bantam Abrasive Metering Valve – Complete |
| 1 | 1014110 | Metering Knob |
| 2 | 1014112 | 5/16-18 x 3-1/4" Hex Bolt <i>(Two Required)</i> |
| 3 | 1014111 | Knob Pin |
| 4 | 10L805003 | 5/16" Washer <i>(Two Required)</i> |
| 5 | 1014113 | Cap |
| 6 | 1014114 | Plunger |
| 7 | 1014115 | Valve Body |
| 8 | 1014219 | Plunger Seal |
| 9 | 1014117 | Urethane Sleeve |
| 10 | 1014118 | Gasket |
| 11a | 10000135 | 1" Female x 1" Female Nipple |
| 11b | 1014119 | 1" Female x 1-1/2" Male Nipple |
| 11c | 1014120 | 1-1/4" Male x 1-1/2" Male Nipple |
| 11d | 1014121 | 1-1/2" Male x 1-1/2" Male Nipple |
| — | 1014123 | Repair Kit <i>(Includes Item #'s: 2,6,8,9, and 10)</i> |
| — | 1014116 | Soft Seal Kit <i>(Includes Item #'s: 8, 9, and 10)</i> |
| — | 1011812 | 1" Male x 1/2" Female NPT Bushing <i>(For use with 1014103)</i> |
| — | 10SB2S | 1-1/2" NPS Brass Tank Coupling <i>(For use with 1014100, 1014101, 1014102)</i> |
| — | 105M022 | Features and Specifications Guide – Blastmaster® Bantam Abrasive Metering Valve |
| — | 106M022 | Part Numbers and Schematics Guide – Blastmaster® Bantam Abrasive Metering Valve |
| — | 1090022 | Operator's Manual – Blastmaster® Bantam Abrasive Metering Valve |
| — | 1091045 | Warning Tag |

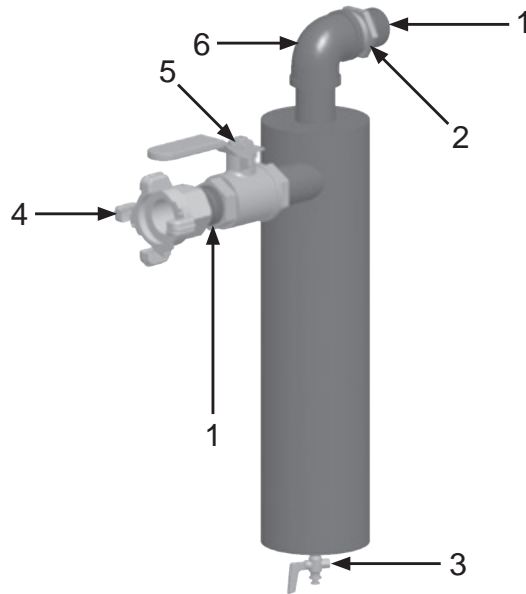
PART NUMBERS AND SCHEMATICS

Figure 18: Blastmaster® Bantam Abrasive Metering Valve



OPTIONAL ACCESSORIES

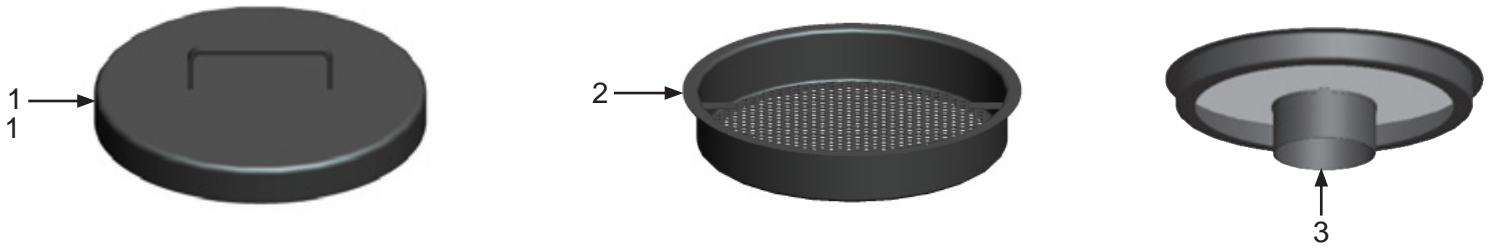
Figure 19: 1-1/4" Junior Extractor Abrasive Blasting Pot Moisture Separator



| Item # | Part # | Description |
|----------------|-----------------|---|
| Fig. 19 | | |
| — | 10101314 | 1-1/4" Junior Extractor Abrasive Blasting Pot Moisture Separator |
| 1 | 1011201 | 1-1/4" NPT Close Nipple (<i>Two Required</i>) |
| 2 | 1011501 | 1-1/2" x 1-1/4" Bushing |
| 3 | 1012101 | 1/4" NPT Brass Petcock |
| 4 | 10ME3 | 4-lug Air Hose End - 1-1/4" NPT (F) |
| 5 | 1011602 | 1-1/4" NPT Full Port Ball Valve |
| 6 | 1006204 | 1-1/4" 90° Elbow |

OPTIONAL ACCESSORIES

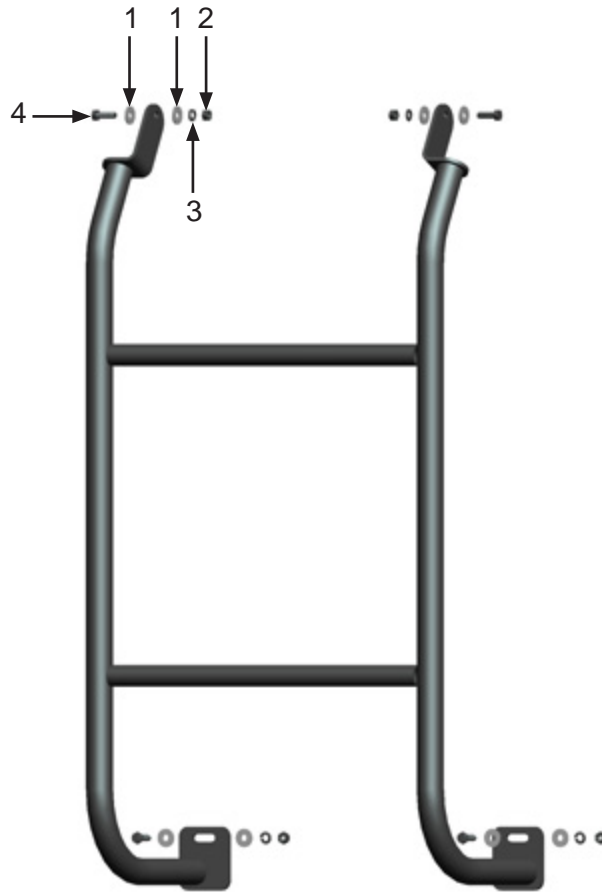
Figure 20: Lid and Screen



| Item # | Part # | Description |
|--------|----------|--|
| 1 | 1035060 | 18" Lid |
| 2 | 1035061 | 18" Screen |
| 3 | 10100732 | Abrasive Umbrella (<i>Screen Not Included</i>) |

OPTIONAL ACCESSORIES

Figure 21: Loading Skid



| Item # | Part # | Description |
|--------|--------|-------------|
|--------|--------|-------------|

Fig. 21

| | | |
|---|----------------|-----------------------------|
| — | 1035040 | Load Skid – Complete |
| 1 | 10L805003 | 5/16" Zinc Flat Washer |
| 2 | 1035046 | 5/16-18 Nut |
| 3 | 10L805014 | 5/16" Lock Washer |
| 4 | 1035045 | 5/16-18 x 1" Bolt |

GLOBAL HEADQUARTERS

- 3425 East Locust Street
Davenport, IA 52803

ph: 800.BLAST.IT (800.252.7848)
ph: 563.324.2519
fax: 563.324.6258

REGIONAL BRANCH OFFICES

- **Iowa**
Davenport
- **Louisiana**
Gonzales
Harvey
Lafayette
- **Ohio**
Youngstown
- **Texas**
Beaumont
Corpus Christi
Deer Park



ABRASIVES

BLASTING

COATING

DUST COLLECTORS

ENGINEERED SYSTEMS

RENTAL

SAFETY

SERVICE & REPAIR

VACUUMS

40+ NATIONWIDE SHIPPING LOCATIONS



★ Marco Regional Branch Offices
and Shipping Locations

● Direct Shipping Locations

CONTACT MARCO

800.BLAST.IT
(800.252.7848)
563.324.2519
FAX: 563.324.6258

WWW.MARCO.US
SALES@MARCO.US