



SPRAYMASTER® 25 GALLON HEATED COATING TANK



BUILT MARCO TOUGH
MARCO MANUFACTURED

PART NUMBERS AND SCHEMATICS GUIDE

Company Profile

Since 1944, Marco has developed a strong tradition of providing innovative and reliable products and services to the surface preparation and protective coatings industries. We are the world's premier provider of Abrasives, Blasting, Coating, Dust Collectors, Engineered Systems, Rental, Safety, Service, Repair, & Modernization, and Vacuums.

Through innovative designs and a total commitment to quality, Marco manufactures products that increase production rates, create a safer workplace, and reduce maintenance costs. Marco's industry experience, manufacturing capabilities, legendary customer service, product availability, logistics services, and technology leadership is your assurance that we deliver high quality products and services, providing the best value to you, our customer.

The Marco Difference

- **Industry Experience** – With Marco on your team, you have access to expertise which can only come from decades of industry leadership. We have organized our engineering department, production specialists, customer operations, and safety support into a “Center of Competence.” As a Marco customer, you have access to hundreds of years of cumulative experience related to your operations.
- **Manufacturing Excellence** – Marco is a U.S. based, ISO 9001:2008 certified manufacturer of equipment for the Surface Preparation and Protective Coatings industries. Marco's engineers benchmark the industry to ensure that we design and manufacture superior products that set the “Gold Standard” for performance, safety, and quality.
- **Legendary Customer Service** – Marco's legendary customer service team is staffed by friendly, highly-trained individuals who are focused on providing the highest level of product support, order accuracy, and customer satisfaction.
- **Product Availability** – We stock over 10,000 SKU's and have more than 45 shipping locations to serve North American and International markets for all major brands of blasting and coating equipment. As the largest provider of surface preparation and protective coatings equipment in the world, our inventory levels and product availability are unmatched.
- **Logistics Services** – Marco's in-house logistics team is dedicated to moving your shipment anywhere in the world. We move more than 14,000 truckloads every year, allowing you to save on freight costs by leveraging our buying power. Lower your process costs with a single invoice, which includes product and freight.
- **Technology Leadership** – Our website provides: Operator's Manuals, Part Numbers and Schematics Guides, SDS information, and Features & Specifications Guides, providing access to information 24/7. Our Extranet application allows you to receive quotes and place orders online. Our Intranet maintains a complete record of your purchase history to assist with ongoing support of your existing equipment and future purchasing decisions.

Vision Statement

Marco is the world's premier provider of Abrasives, Blasting, Coating, Dust Collectors, Engineered Systems, Rental, Safety, Service, Repair, & Modernization, and Vacuums.

Mission Statement

Marco provides strong leadership and innovation to the surface preparation and protective coatings industries. We dedicate our efforts to the continuous improvement of our products, services, processes, people, and most importantly, the quality of our customer's experience.

Quality Statement

Marco is committed to providing superior quality in the design, manufacturing, distribution, rental, service, and repair of our products. Our ISO 9001:2008 certification extends throughout all operations in all locations. Continuous improvement of our processes and supply chain Integration comprise the core of our business strategy for delivering exceptional quality and value in all Marco products and services.

Management Philosophy

We are a company dedicated to the success of every customer and associate. We discuss, debate, challenge, measure, and test our ideas. We will be boundless and limitless in our passion to improve. Through sound leadership and dedicated associates, we will ensure a long term, profitable future for Marco, our associates, customers, and suppliers.

TABLE OF CONTENTS

Company Profile	1
Spraymaster® 25 Gallon Heated Coating Tank 240/480-Volt AC	5
Spraymaster® 25 Gallon Tank 240-Volt AC with 5:1 Transfer Pump	7
Spraymaster® 25 Gallon Tank 480-Volt AC with 5:1 Transfer Pump	8
Spraymaster® 25 Gallon Tank 240-Volt AC with 10:1 Transfer Pump	9
Spraymaster® 25 Gallon Tank 480-Volt AC with 10:1 Transfer Pump	10
Spraymaster® 25 Gallon Heated Coatings Tank 240/480-Volts AC Intrinsically Safe.	11
Spraymaster® 25 Gallon Tank 240-Volt AC Hazardous Location with 5:1 Transfer Pump	13
Spraymaster® 25 Gallon Tank 480-Volt AC Hazardous Location with 5:1 Transfer Pump	14
Spraymaster® 25 Gallon Tank 240-Volt AC Hazardous Location with 10:1 Transfer Pump . . .	15
Spraymaster® 25 Gallon Tank 480-Volt AC Hazardous Location with 10:1 Transfer Pump . . .	16
Spraymaster® 25 Gallon Heated Coatings Tank 240/480-Volts AC for High Viscosity Liquid	17
Spraymaster® 25 Gallon Heated Coating Tank 240-Volt AC for High Viscosity Liquid with 5:1 Transfer Pump	19
Spraymaster® 25 Gallon Heated Coating Tank 480-Volt AC for High Viscosity Liquid with 5:1 Transfer Pump	20
Spraymaster® 25 Gallon Heated Coating Tank 240-Volt AC for High Viscosity Liquid with 10:1 Transfer Pump	21
Spraymaster® 25 Gallon Heated Coating Tank 480-Volt AC for High Viscosity Liquid with 10:1 Transfer Pump	22
Spraymaster® 25 Gallon Heated Coating Tank 240/480-Volt AC Hazardous Location for High Viscosity Liquid	23
Spraymaster® 25 Gallon Heated Coating Tank 240-Volt AC Hazardous Location for High Viscosity Liquid with 5:1 Transfer Pump.	25
Spraymaster® 25 Gallon Heated Coating Tank 480-Volt AC Hazardous Location for High Viscosity Liquid with 5:1 Transfer Pump.	26
Spraymaster® 25 Gallon Heated Coating Tank 240-Volt AC Hazardous Location for High Viscosity Liquid with 10:1 Transfer Pump.	27
Spraymaster® 25 Gallon Heated Coating Tank 480-Volt AC Hazardous Location for High Viscosity Liquid with 10:1 Transfer Pump.	28
Wye Strainer.	29

PART NUMBERS AND SCHEMATICS GUIDE

SPRAYMASTER® 25 GALLON HEATED COATING TANK WITH TRANSFER PUMP

Part Numbers	ELECTRICAL		Immersion Heater Power	5:1 Transfer Pump	10:1 Transfer Pump	MATERIAL		AIR MOTOR		
	Standard-Duty	Hazardous Location				For Use With High Viscosity	For Use With Low Viscosity	15:1 Gear Driven	Direct Driven	Horsepower
20101089	X		240-Volt AC	X		X		X		1.7
20101081	X		240-Volt AC	X			X		X	1.7
20101093	X		240-Volt AC		X	X		X		1.7
20101085	X		240-Volt AC		X		X		X	1.7
20101090	X		480-Volt AC	X		X		X		1.7
20101082	X		480-Volt AC	X			X		X	1.7
20101094	X		480-Volt AC		X	X		X		1.7
20101086	X		480-Volt AC		X		X		X	1.7
20101091		X	240-Volt AC	X		X		X		1.7
20101083		X	240-Volt AC	X			X		X	1.7
20101095		X	240-Volt AC		X	X		X		1.7
20101087		X	240-Volt AC		X		X		X	1.7
20101092		X	480-Volt AC	X		X		X		1.7
20101084		X	480-Volt AC	X			X		X	1.7
20101096		X	480-Volt AC		X	X		X		1.7
20101088		X	480-Volt AC		X		X		X	1.7



PART NUMBERS AND SCHEMATICS GUIDE

SPRAYMASTER® 25 GALLON HEATED COATING TANK WITHOUT TRANSFER PUMP								
Part Numbers	ELECTRICAL		Immersion Heater Power	MATERIAL		AIR MOTOR		
	Standard-Duty	Hazardous Location		<i>For Use With High Viscosity</i>	<i>For Use With Low Viscosity</i>	15:1 Gear Driven	Direct Driven	Horsepower
20100930	X		240-Volt AC	X		X		1.7
20100926	X		240-Volt AC		X		X	1.7
20100931	X		480-Volt AC	X		X		1.7
20100927	X		480-Volt AC		X		X	1.7
20100932		X	240-Volt AC	X		X		1.7
20100928		X	240-Volt AC		X		X	1.7
20100933		X	480-Volt AC	X		X		1.7
20100929		X	480-Volt AC		X		X	1.7



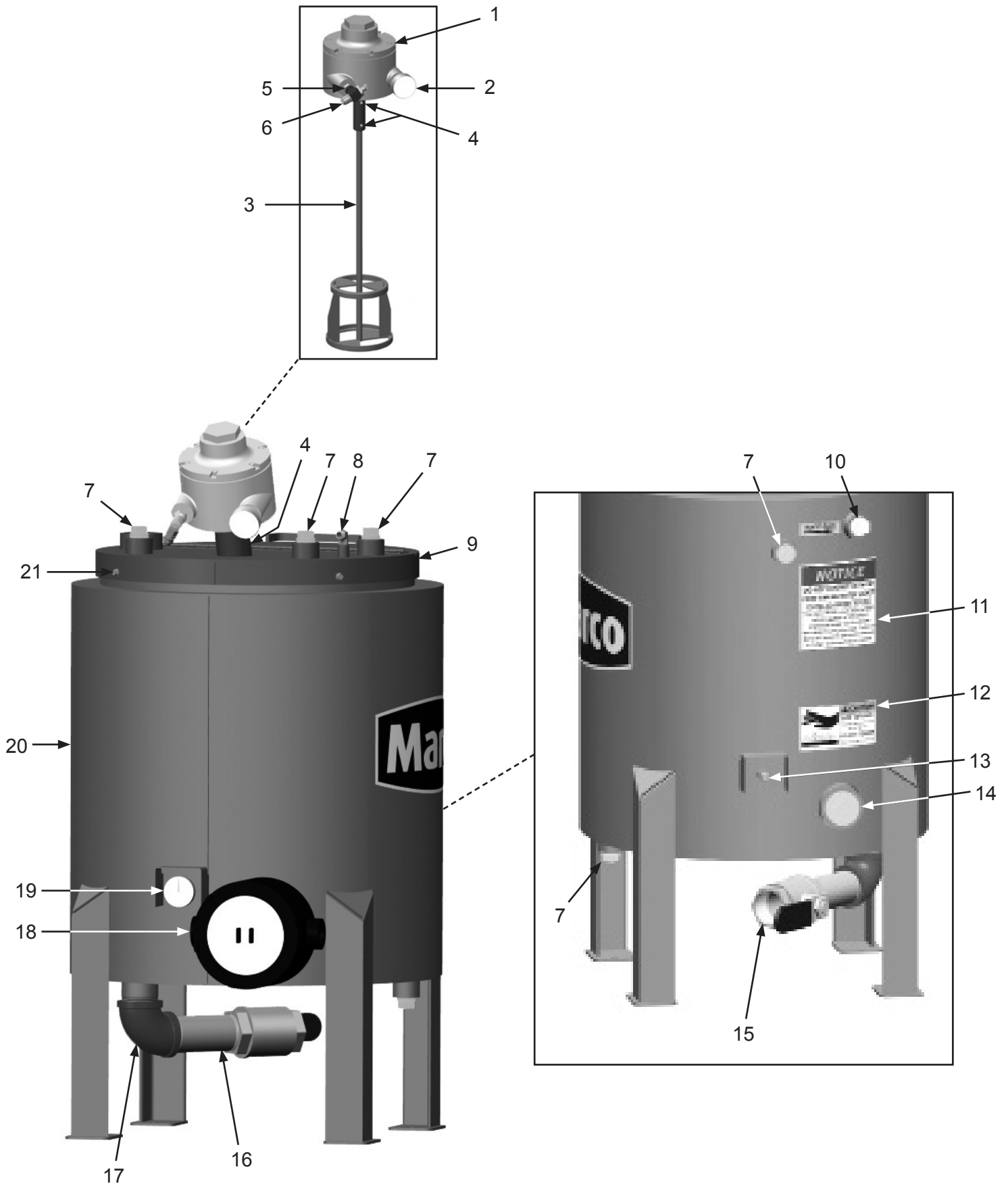
PART NUMBERS AND SCHEMATICS GUIDE

Spraymaster® 25 Gallon Heated Coating Tank 240/480-Volt AC

Item #	Part #	Description
Fig. 1		
—	20100926	Spraymaster® 25 Gallon Heated Coating Tank 240-Volts AC – Complete
—	20100927	Spraymaster® 25 Gallon Heated Coating Tank 480-Volts AC – Complete
1	20GA4AMNRV22B	4AM Air Motor <i>(Includes Item # 2)</i>
2	20BK350401	Air Motor Muffler Assembly
3	20100941	18" Mixer Blade
4	20100150	1/4-20 X 1/4" Set Screw <i>(Five Required)</i>
5	20PFHA24SA0604	1/4" X 3/8" Hex Nipple
6	20101193	3/8" NPT Needle Valve
7	1011901	1" NPT Square Head Plug <i>(Five Required)</i>
8	20PFHA25UA0404	1/4" NPT (M) 90° Elbow
9	20101079	Tank Lid
10	20100186	1" NPT Square Head Plug w/ 1/8" Relief Hole
11	20100173	Hot Surfaces Warning Label
12	20100174	Heater Notice Label
13	1012052	1/4" NPT Square Head Plug
14	1011823	2" NPT Square Head Plug
15	20101151	2" NPT Full Port Ball Valve
16	20100146	2" X 6" NPT Nipple
17	10101339	2" NPT 90° Elbow
18	20101106	240V GP Immersion Heater
—	20101107	480V GP Immersion Heater
19	20HHH0254F47	1/4" NPT 0-250 Thermometer
20	20100679	Heated Supply Tank
21	20100131	1/4-14 X 1-1/2" Self-Tapping Screw <i>(Four Required)</i>
—	2091000	PC Sprayer Label Kit - Misc.
—	2091001	PC Sprayer Label Kit - A/B
—	1091130	Rotating Parts Warning Label
—	209V515	Operator's Manual –AM Series Lubricated Air Motors
—	205M113	Features & Specifications Guide - Spraymaster® Heated Coating Tank
—	206M113	Part Numbers & Schematics Guide – Spraymaster® Heated Coating Tank
—	2090113	Operator's Manual – Spraymaster® Heated Coating Tank

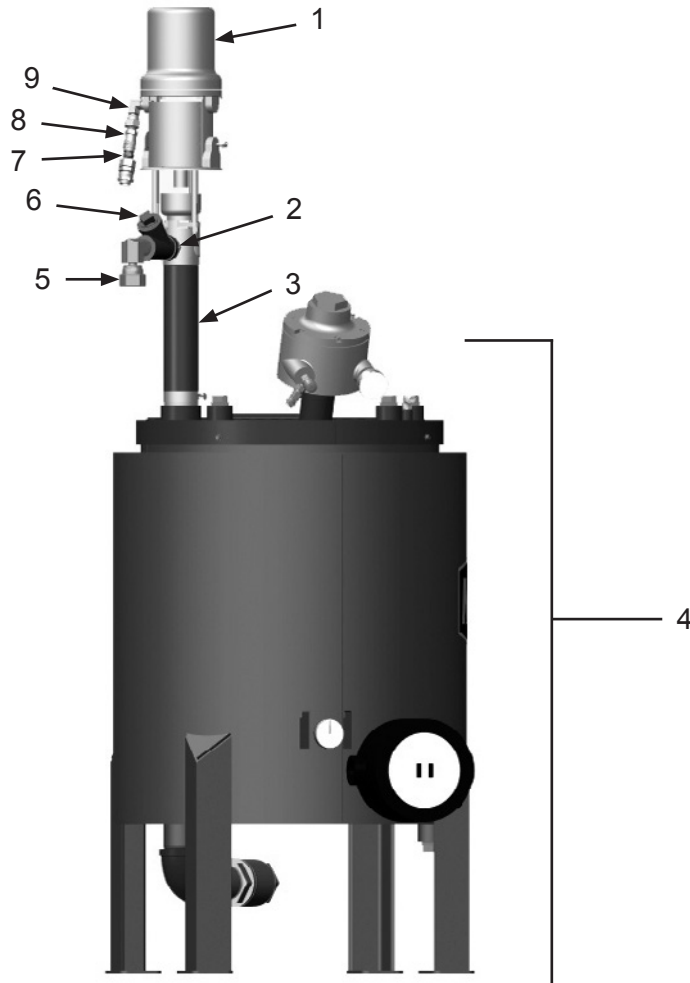
PART NUMBERS AND SCHEMATICS GUIDE

Figure 1: Spraymaster® 25 Gallon Heated Coating Tank 240/480-Volt AC



PART NUMBERS AND SCHEMATICS GUIDE

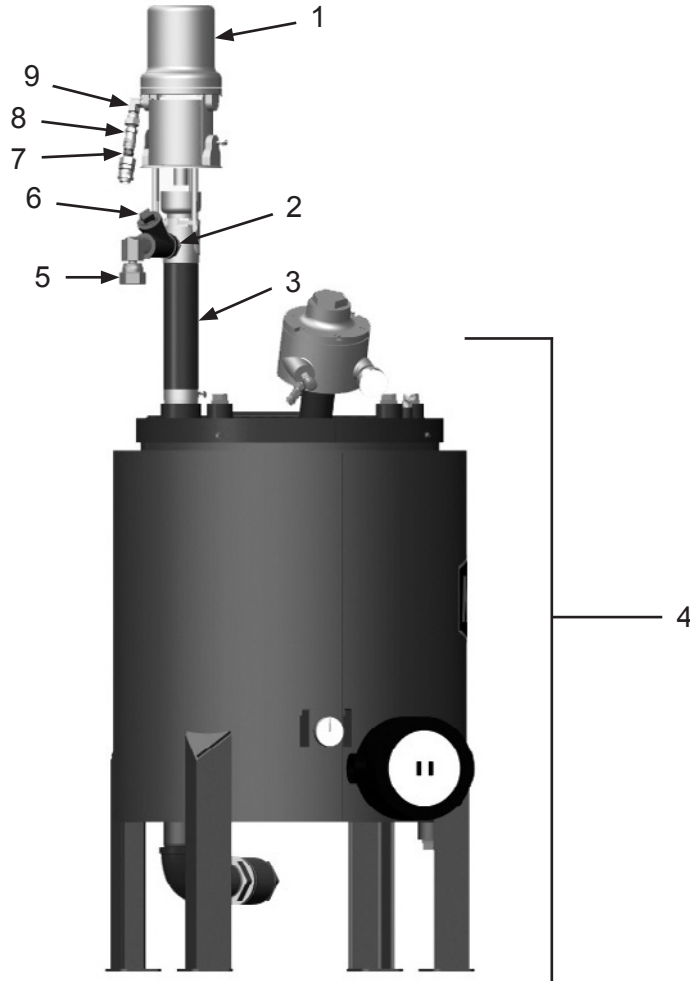
Figure 2: Spraymaster® 25 Gallon Tank 240-Volt AC with 5:1 Transfer Pump



Item #	Part #	Description
Fig. 2		
—	20101081	Spraymaster® 25 Gallon Heated Coating Tank 240-Volt AC with 5:1 Transfer Pump – Complete
1	20G248825	Monark® 5:1 Feed Pump
2	20PFHA24SA1612	1" X 3/4" NPT Hex Nipple
3	20100942	Tank Pump Spacer
4	20100926	Spraymaster® 25 Gallon Heated Coating Tank 240-Volt AC
5	20PFHA60UA1616	1" NPT (M) X 1" (F) 90° Swivel Elbow
6	20101309	1" Wye Strainer
7	20100286	3/8" NPT 1/4" Female Quick Disconnect
8	20100285	3/8" NPT 1/4" Male Quick Disconnect
9	20PFHA60UA0606	3/8" NPT (M) X 3/8" (F) 90° Swivel Elbow
—	2091000	PC Sprayer Label Kit – Misc.
—	2091001	PC Sprayer Label Kit – A/B
—	205M113	Features & Specifications Guide – Spraymaster® 25 Gallon Heated Coating Tank
—	206M113	Part Numbers & Schematics Guide – Spraymaster® 25 Gallon Heated Coating Tank
—	206M555	Part Numbers & Schematics Guide – Graco® Monark® 5:1 Airless Spray Pump
—	2090113	Operator's Manual – Spraymaster® 25 Gallon Heated Coating Tank
—	209V510	Operator's Manual – Merkur® Displacement Pump
—	209V511	Operator's Manual – Graco® Feed and Solvent Flush Kits
—	209V513	Operator's Manual – 5:1 Ratio Monark® Pump
—	209V515	Operator's Manual – AM Series Lubricated Air Motors

PART NUMBERS AND SCHEMATICS GUIDE

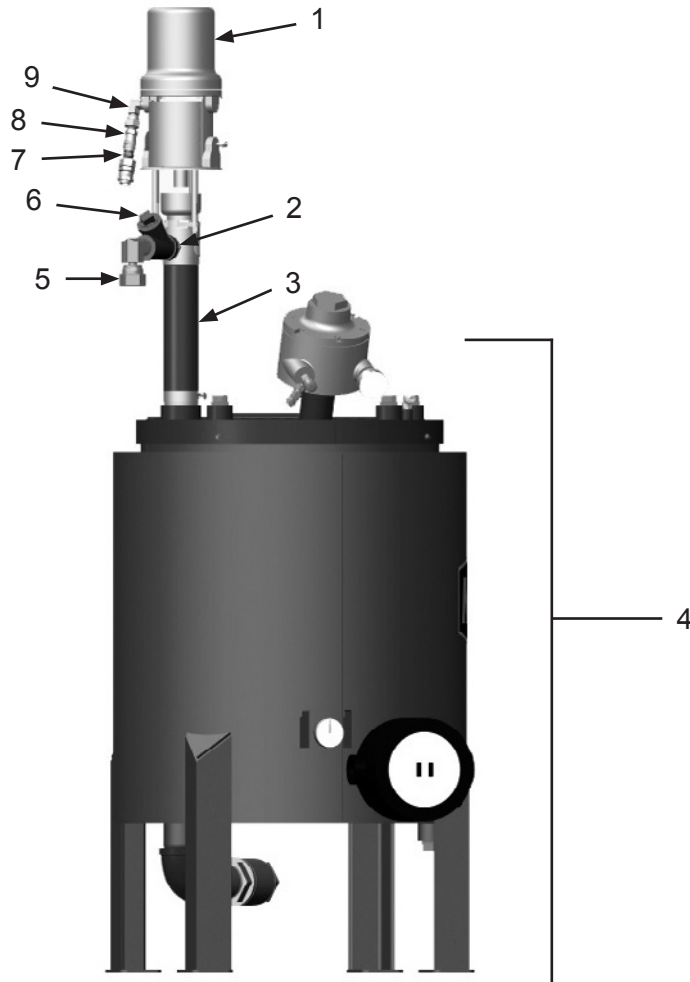
Figure 3: Spraymaster® 25 Gallon Tank 480-Volt AC with 5:1 Transfer Pump



Item #	Part #	Description
Fig. 3		
—	20101082	Spraymaster® 25 Gallon Heated Coating Tank 480-Volt AC with 5:1 Transfer Pump – Complete
1	20G248825	Monark® 5:1 Feed Pump
2	20PFHA24SA1612	1" X 3/4" NPT Hex Nipple
3	20100942	Tank Pump Spacer
4	20100927	Spraymaster® 25 Gallon Heated Coating Tank 480-Volt AC
5	20PFHA60UA1616	1" NPT (M) X 1" (F) 90° Swivel Elbow
6	20101309	1" Wye Strainer
7	20100286	3/8" NPT 1/4" Female Quick Disconnect
8	20100285	3/8" NPT 1/4" Male Quick Disconnect
9	20PFHA60UA0606	3/8" NPT (M) X 3/8" (F) 90° Swivel Elbow
—	2091000	PC Sprayer Label Kit – Misc.
—	2091001	PC Sprayer Label Kit – A/B
—	205M113	Features & Specifications Guide – Spraymaster® 25 Gallon Heated Coating Tank
—	206M113	Part Numbers & Schematics Guide – Spraymaster® 25 Gallon Heated Coating Tank
—	206M555	Part Numbers & Schematics Guide – Graco® Monark® 5:1 Airless Spray Pump
—	2090113	Operator's Manual – Spraymaster® 25 Gallon Heated Coating Tank
—	209V510	Operator's Manual – Merkur® Displacement Pump
—	209V511	Operator's Manual – Graco® Feed and Solvent Flush Kits
—	209V513	Operator's Manual – 5:1 Ratio Monark® Pump
—	209V515	Operator's Manual – AM Series Lubricated Air Motors

PART NUMBERS AND SCHEMATICS GUIDE

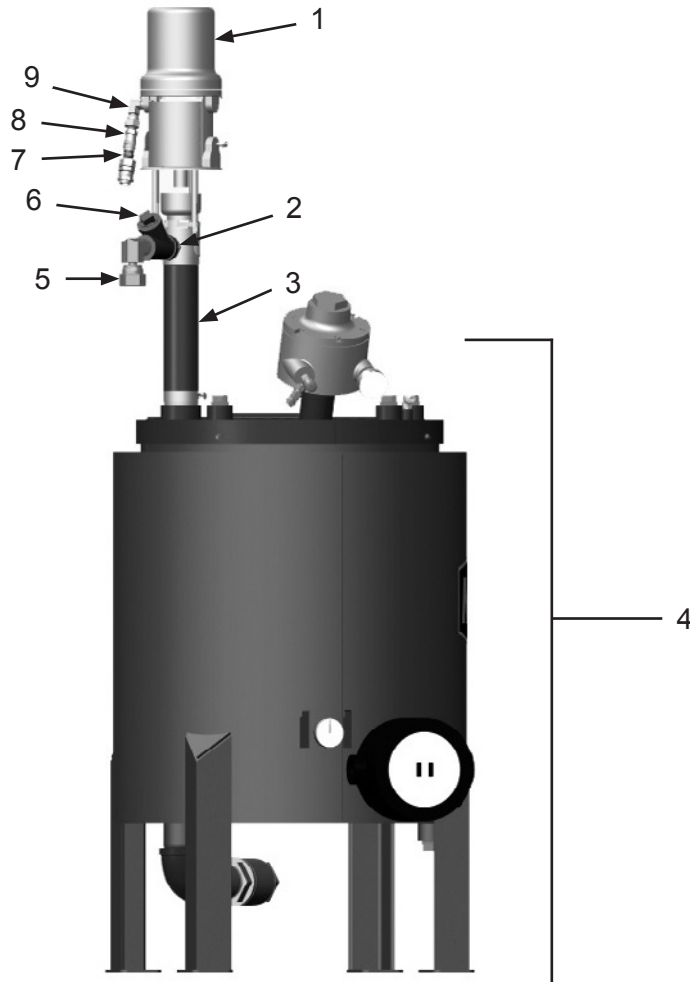
Figure 4: Spraymaster® 25 Gallon Tank 240-Volt AC with 10:1 Transfer Pump



Item #	Part #	Description
Fig. 4		
—	20101085	Spraymaster® 25 Gallon Heated Coating Tank 240-Volt AC with 10:1 Transfer Pump – Complete
1	20G256433	President® 10:1 Feed Pump
2	20PFHA24SA1612	1" X 3/4" NPT Hex Nipple
3	20100942	Tank Pump Spacer
4	20100926	Spraymaster® 25 Gallon Heated Coating Tank 240-Volt AC
5	20PFHA60UA1616	1" NPT (M) X 1" (F) 90° Swivel Elbow
6	20101309	1" Wye Strainer
7	20100286	3/8" NPT 1/4" Female Quick Disconnect
8	20100285	3/8" NPT 1/4" Male Quick Disconnect
9	20PFHA60UA0606	3/8" NPT (M) X 3/8" (F) 90° Swivel Elbow
—	2091000	PC Sprayer Label Kit – Misc.
—	2091001	PC Sprayer Label Kit – A/B
—	205M113	Features & Specifications Guide – Spraymaster® Heated Coating Tank
—	206M113	Part Numbers & Schematics Guide – Spraymaster® Heated Coating Tank
—	206M557	Part Numbers & Schematics Guide – Graco® President® 10:1 Airless Spray Pump
—	2090113	Operator's Manual – Spraymaster® 25 Gallon Heated Coating Tank
—	209V510	Operator's Manual – Merkur® Displacement Pump
—	209V511	Operator's Manual – Graco® Feed and Solvent Flush Kits
—	209V514	Operator's Manual – 10:1 Ratio President® Pump
—	209V515	Operator's Manual – AM Series Lubricated Air Motors

PART NUMBERS AND SCHEMATICS GUIDE

Figure 5: Spraymaster® 25 Gallon Tank 480-Volt AC with 10:1 Transfer Pump



Item #	Part #	Description
Fig. 5		
—	20101086	Spraymaster® 25 Gallon Heated Coating Tank 480-Volt AC with 10:1 Transfer Pump – Complete
1	20G256433	President® 10:1 Feed Pump
2	20PFHA24SA1612	1" X 3/4" NPT Hex Nipple
3	20100942	Tank Pump Spacer
4	20100927	Spraymaster® 25 Gallon Heated Coating Tank 480-Volt AC
5	20PFHA60UA1616	1" NPT (M) X 1" (F) 90° Swivel Elbow
6	20101309	1" Wye Strainer
7	20100286	3/8" NPT 1/4" Female Quick Disconnect
8	20100285	3/8" NPT 1/4" Male Quick Disconnect
9	20PFHA60UA0606	3/8" NPT (M) X 3/8" (F) 90° Swivel Elbow
—	2091000	PC Sprayer Label Kit – Misc.
—	2091001	PC Sprayer Label Kit – A/B
—	205M113	Features & Specifications Guide – Spraymaster® Heated Coating Tank
—	206M113	Part Numbers & Schematics Guide – Spraymaster® Heated Coating Tank
—	206M557	Part Numbers & Schematics Guide – Graco® President® 10:1 Airless Spray Pump
—	2090113	Operator's Manual – Spraymaster® 25 Gallon Heated Coating Tank
—	209V510	Operator's Manual – Merkur® Displacement Pump
—	209V511	Operator's Manual – Graco® Feed and Solvent Flush Kits
—	209V514	Operator's Manual – 10:1 Ratio President® Pump
—	209V515	Operator's Manual – AM Series Lubricated Air Motors

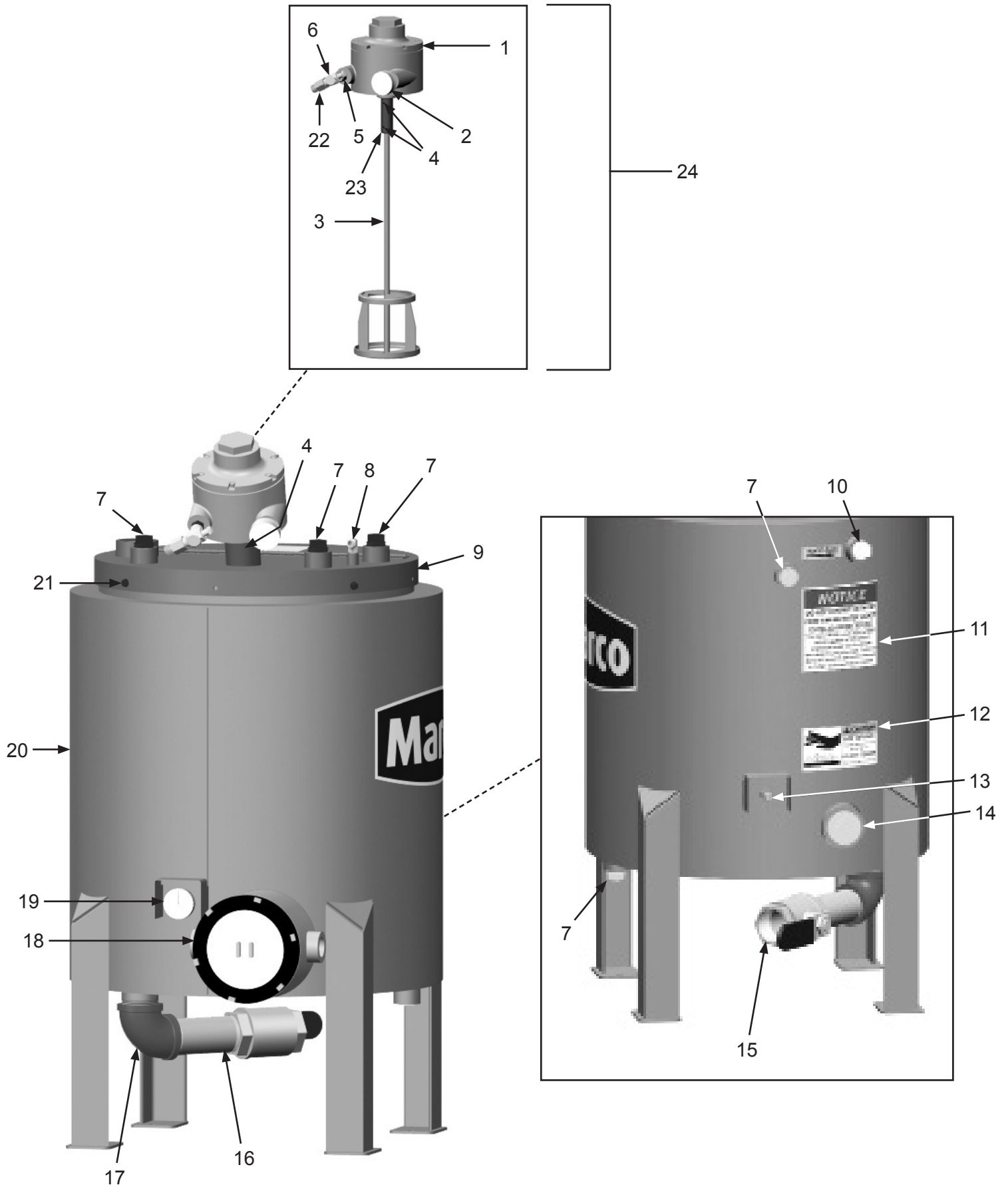
PART NUMBERS AND SCHEMATICS GUIDE

Spraymaster® 25 Gallon Heated Coatings Tank 240/480-Volts AC Intrinsically Safe

Item #	Part #	Description
Fig. 6		
—	20100928	Spraymaster® 25 Gallon Heated Coatings Tank 240-Volt AC Intrinsically Safe – Complete
—	20100929	Spraymaster® 25 Gallon Heated Coatings Tank 480-Volt AC Intrinsically Safe – Complete
1	20GA4AMNRV22B	4AM Air Motor <i>(Includes Item #2)</i>
2	20BK350401	Air Motor Muffler Assembly
3	20JMPS1	Stainless Steel Mixer 20-1/2"
4	20100150	1/4-20 X 1/4" Set Screw <i>(Five Required)</i>
5	20PFHA24SA0604	1/4" X 3/8" Hex Nipple
6	20101193	3/8" NPT Needle Valve
7	1011901	1" NPT Square Head Plug <i>(Five Required)</i>
8	20PFHA25UA0404	1/4" NPT (M) 90° Elbow
9	20101079	Tank Lid
10	20100186	1" NPT Square Head Plug with 1/8" Relief Hole
11	20100173	Hot Surfaces Warning Label
12	20100174	Heater Notice Label
13	1012052	1/4" NPT Square Head Plug
14	1011823	2" NPT Square Head Plug
15	20101151	2" NPT Full Port Ball Valve
16	20100146	2" X 6" NPT Nipple
17	10101339	2" NPT 90° Elbow
18	20101108	240-Volt AC GP Immersion Heater
—	20101109	480-Volt AC GP Immersion Heater
19	20HHH0254F47	1/4" NPT 0-250 Thermometer
20	20100679	Heated Supply Tank
21	20100131	1/4-14 X 1-1/2" Self-Tapping Screw <i>(Four Required)</i>
22	20PFHA24SG0606	3/8" (M) x 3/8" (F) Hex Reducer
23	20100062	Coupling
24	20101285	Round Tank Mixer Assy with Air Motor <i>Includes items # 1—6, 22 and 23</i>
—	20101283	4AM Air Motor Service Kit
—	2091000	PC Sprayer Label Kit – Misc.
—	2091001	PC Sprayer Label Kit – A/B
—	1091130	Hazardous Identification Label, Rotating Parts
—	209V515	Operator's Manual – AM Series Lubricated Air Motors
—	205M113	Features & Specifications Guide – Spraymaster® 25 Gallon Heated Coatings Tank
—	206M113	Part Numbers & Schematics Guide – Spraymaster® 25 Gallon Heated Coatings Tank
—	2090113	Operator's Manual – Spraymaster® 25 Gallon Heated Coatings Tank

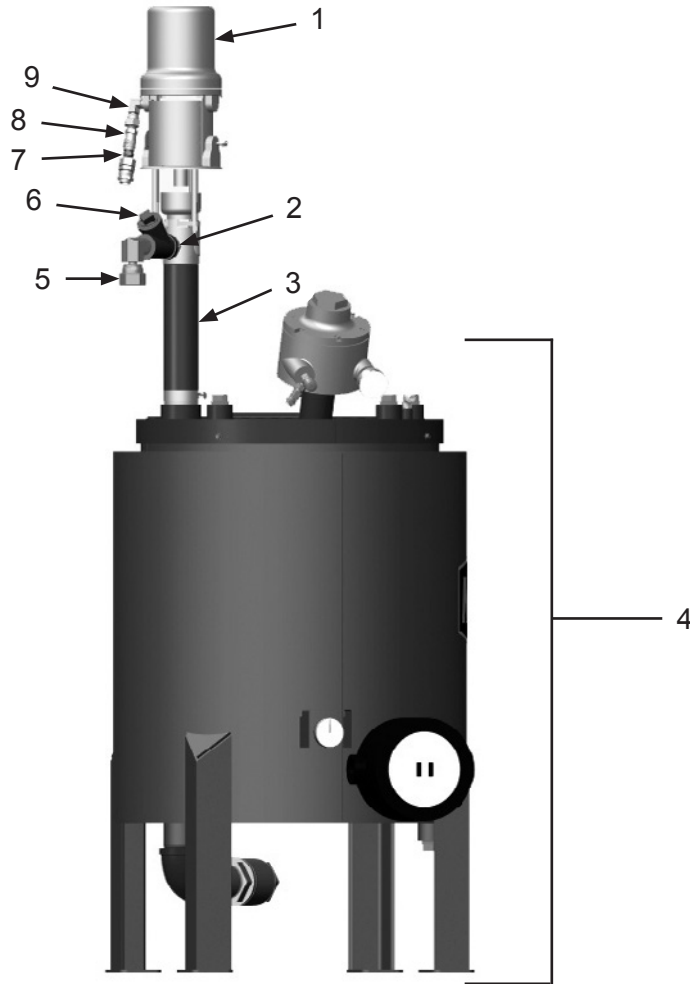
PART NUMBERS AND SCHEMATICS GUIDE

Figure 6: Spraymaster® 25 Gallon Heated Coatings Tank 240/480-Volts AC Intrinsically Safe



PART NUMBERS AND SCHEMATICS GUIDE

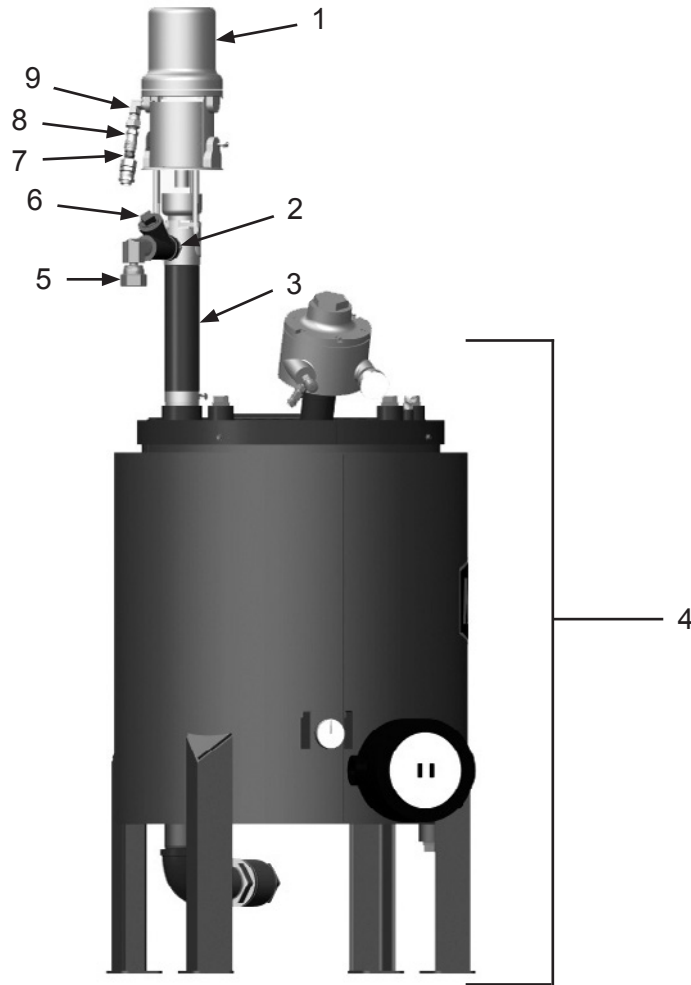
Figure 7: Spraymaster® 25 Gallon Tank 240-Volt AC Hazardous Location with 5:1 Transfer Pump



Item #	Part #	Description
Fig. 7		
—	20101083	Spraymaster® 25 Gallon Heated Coating Tank 240-Volt AC Hazardous Location with 5:1 Transfer Pump – Complete
1	20G248825	Monark® 5:1 Feed Pump
2	20PFHA24SA1612	1" X 3/4" NPT Hex Nipple
3	20100942	Tank Pump Spacer
4	20100928	Spraymaster® 25 Gallon Heated Coating Tank 240-Volt AC Hazardous Location
5	20PFHA60UA1616	1" NPT (M) X 1" (F) 90° Swivel Elbow
6	20101309	1" Wye Strainer
7	20100286	3/8" NPT 1/4" Female Quick Disconnect
8	20100285	3/8" NPT 1/4" Male Quick Disconnect
9	20PFHA60UA0606	3/8" NPT (M) X 3/8" (F) 90° Swivel Elbow
—	2091000	PC Sprayer Label Kit – Misc.
—	2091001	PC Sprayer Label Kit – A/B
—	205M113	Features & Specifications Guide – Spraymaster® 25 Gallon Heated Coating Tank
—	206M113	Part Numbers & Schematics Guide – Spraymaster® 25 Gallon Heated Coating Tank
—	206M555	Part Numbers & Schematics Guide – Graco® Monark® 5:1 Airless Spray Pump
—	2090113	Operator's Manual – Spraymaster® 25 Gallon Heated Coating Tank
—	209V510	Operator's Manual – Merkur® Displacement Pump
—	209V511	Operator's Manual – Graco® Feed and Solvent Flush Kits
—	209V513	Operator's Manual – 5:1 Ratio Monark® Pump
—	209V515	Operator's Manual – AM Series Lubricated Air Motors

PART NUMBERS AND SCHEMATICS GUIDE

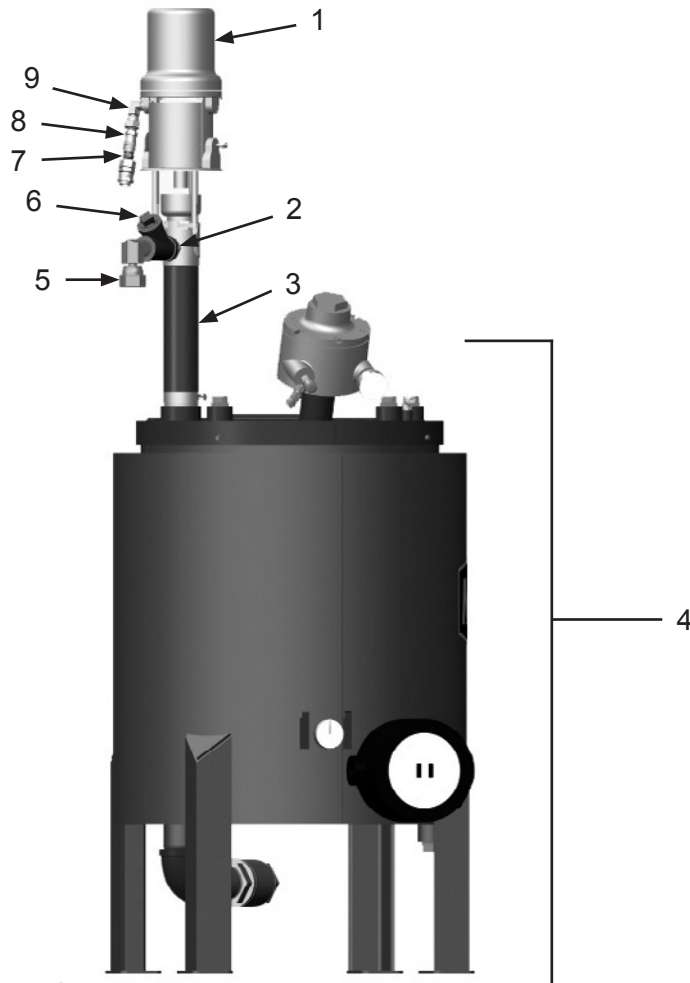
Figure 8: Spraymaster® 25 Gallon Tank 480-Volt AC Hazardous Location with 5:1 Transfer Pump



Item #	Part #	Description
Fig. 8		
—	20101084	Spraymaster® 25 Gallon Heated Coating Tank 480-Volt AC Hazardous Location with 5:1 Transfer Pump – Complete
1	20G248825	Monark® 5:1 Feed Pump
2	20PFHA24SA1612	1" X 3/4" NPT Hex Nipple
3	20100942	Tank Pump Spacer
4	20100929	Spraymaster® 25 Gallon Heated Coating Tank 480-Volt AC Hazardous Location
5	20PFHA60UA1616	1" NPT (M) X 1" (F) 90° Swivel Elbow
6	20101309	1" Wye Strainer
7	20100286	3/8" NPT 1/4" Female Quick Disconnect
8	20100285	3/8" NPT 1/4" Male Quick Disconnect
9	20PFHA60UA0606	3/8" NPT (M) X 3/8" (F) 90° Swivel Elbow
—	2091000	PC Sprayer Label Kit – Misc.
—	2091001	PC Sprayer Label Kit – A/B
—	205M113	Features & Specifications Guide – Spraymaster® 25 Gallon Heated Coating Tank
—	206M113	Part Numbers & Schematics Guide – Spraymaster® 25 Gallon Heated Coating Tank
—	206M555	Part Numbers & Schematics Guide – Graco® Monark® 5:1 Airless Spray Pump
—	2090113	Operator Manual's – Spraymaster® 25 Gallon Heated Coating Tank
—	209V510	Operator Manual's – Merkur® Displacement Pump
—	209V511	Operator Manual's – Graco® Feed and Solvent Flush Kits
—	209V513	Operator Manual's – 5:1 Ratio Monark® Pump
—	209V515	Operator Manual's – AM Series Lubricated Air Motors

PART NUMBERS AND SCHEMATICS GUIDE

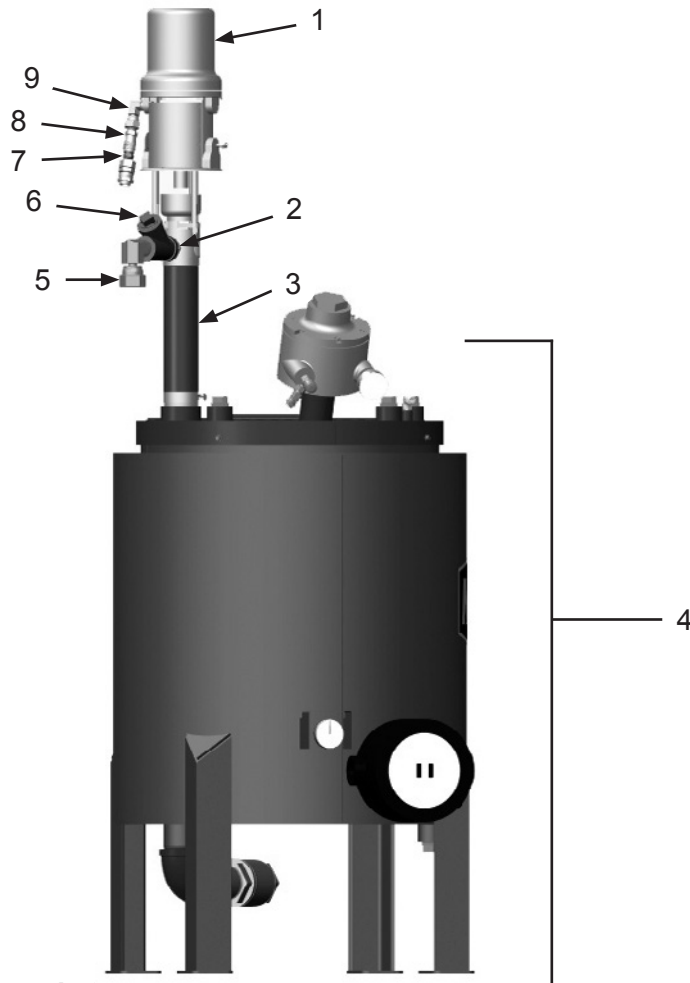
Figure 9: Spraymaster® 25 Gallon Tank 240-Volt AC Hazardous Location with 10:1 Transfer Pump



Item #	Part #	Description
Fig. 9		
—	20101087	Spraymaster® 25 Gallon Heated Coating Tank 240-Volt AC Hazardous Location with 10:1 Transfer Pump – Complete
1	20G256433	President® 10:1 Feed Pump
2	20PFHA24SA1612	1" X 3/4" NPT Hex Nipple
3	20100942	Tank Pump Spacer
4	20100928	Spraymaster® 25 Gallon Heated Coating Tank 240-Volt AC Hazardous Location
5	20PFHA60UA1616	1" NPT (M) X 1" (F) 90° Swivel Elbow
6	20101309	1" Wye Strainer
7	20100286	3/8" NPT 1/4" Female Quick Disconnect
8	20100285	3/8" NPT 1/4" Male Quick Disconnect
9	20PFHA60UA0606	3/8" NPT (M) X 3/8" (F) 90° Swivel Elbow
—	2091000	PC Sprayer Label Kit – Misc.
—	2091001	PC Sprayer Label Kit – A/B
—	205M113	Features & Specifications Guide – Spraymaster® 25 Gallon Heated Coating Tank
—	206M113	Part Numbers & Schematics Guide – Spraymaster® 25 Gallon Heated Coating Tank
—	206M557	Part Numbers & Schematics Guide – Graco® President® 10:1 Airless Spray Pump
—	2090113	Operator's Manual – Spraymaster® 25 Gallon Heated Coating Tank
—	209V510	Operator's Manual – Merkur® Displacement Pump
—	209V511	Operator's Manual – Graco® Feed and Solvent Flush Kits
—	209V514	Operator's Manual – 10:1 Ratio President® Pump
—	209V515	Operator's Manual – AM Series Lubricated Air Motors

PART NUMBERS AND SCHEMATICS GUIDE

Figure 10: Spraymaster® 25 Gallon Tank 480-Volt AC Hazardous Location with 10:1 Transfer Pump



Item #	Part #	Description
Fig. 10		
—	20101088	Spraymaster® 25 Gallon Heated Coating Tank 480-Volt AC Hazardous Location with 10:1 Transfer Pump – Complete
1	20G256433	President® 10:1 Feed Pump
2	20PFHA24SA1612	1" X 3/4" NPT Hex Nipple
3	20100942	Tank Pump Spacer
4	20100929	Spraymaster® 25 Gallon Heated Coating Tank 480-Volt AC Hazardous Location
5	20PFHA60UA1616	1" NPT (M) X 1" (F) 90° Swivel Elbow
6	20101309	1" Wye Strainer
7	20100286	3/8" NPT 1/4" Female Quick Disconnect
8	20100285	3/8" NPT 1/4" Male Quick Disconnect
9	20PFHA60UA0606	3/8" NPT (M) X 3/8" (F) 90° Swivel Elbow
—	2091000	PC Sprayer Label Kit – Misc.
—	2091001	PC Sprayer Label Kit – A/B
—	205M113	Features & Specifications Guide – Spraymaster® 25 Gallon Heated Coating Tank
—	206M113	Part Numbers & Schematics Guide – Spraymaster® 25 Gallon Heated Coating Tank
—	206M557	Part Numbers & Schematics Guide – Graco® President® 10:1 Airless Spray Pump
—	2090113	Operator's Manual – Spraymaster® 25 Gallon Heated Coating Tank
—	209V510	Operator's Manual – Merkur® Displacement Pump
—	209V511	Operator's Manual – Graco® Feed and Solvent Flush Kits
—	209V514	Operator's Manual – 10:1 Ratio President® Pump
—	209V515	Operator's Manual – AM Series Lubricated Air Motors

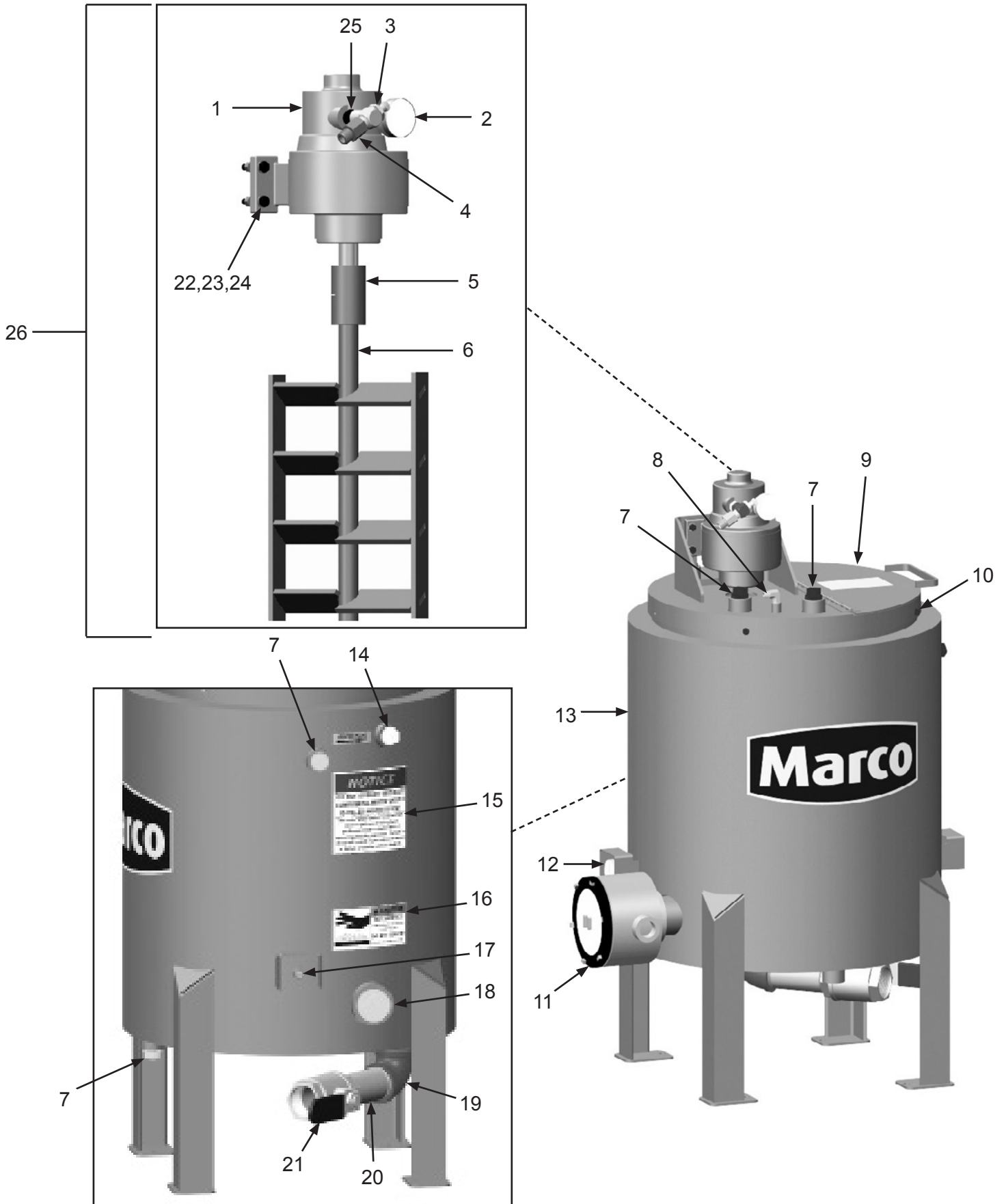
PART NUMBERS AND SCHEMATICS GUIDE

Spraymaster® 25 Gallon Heated Coatings Tank 240/480-Volts AC for High Viscosity Liquid

Item #	Part #	Description
Fig. 11		
—	20100930	Spraymaster® 25 Gallon Heated Coatings Tank 240-Volts AC for High Viscosity Liquid – Complete
—	20100931	Spraymaster® 25 Gallon Heated Coatings Tank 480-Volts AC for High Viscosity Liquid – Complete
1	20100827	15:1 Gear Driven Air Motor <i>(Includes Item # 2)</i>
2	20BK350401	Air Motor Muffler Assembly
3	20101193	3/8" NPT Needle Valve
4	20PFHA24SG0606	3/8" (M) x 3/8" (F) Hex Reducer
5	20100843	1" X 1" Shaft Coupling
6	20100815	6" Mixer Blade
7	1011901	1" NPT Square Head Plug <i>(Five Required)</i>
8	20PFHA25UA0404	1/4" NPT (M) 90° Elbow
9	20101102	25 Gallon Round HVL Lid Weldment
10	20100131	1/4-14 X 1-1/2" Self-Tapping Screw <i>(Four Required)</i>
11	20101106	240V Immersion Heater
—	20101107	480V Immersion Heater
12	20HHH0254F47	1/4" NPT 0-250 Thermometer
13	20100679	Heated Supply Tank
14	20100186	1" NPT Square Head Plug w/ 1/8" Relief Hole
15	20100173	Hot Surfaces Warning Label
16	20100174	Heater Notice Label
17	1012052	1/4" NPT Square Head Plug
18	1011823	2" NPT Square Head Plug
19	10101339	2" NPT 90o Elbow
20	20100146	2" X 6" NPT Nipple
21	20101151	2" NPT Full Port Ball Valve
22	20100897	5/16-18 X 1-1/2" Hex Bolt <i>(Four Required)</i>
23	10L805003	5/16" Flat Washer <i>(Eight Required)</i>
24	20100900	5/16-18 Hex Lock Nut <i>(Four Required)</i>
25	20PFHA24SA0604	1/4" X 3/8" Hex Nipple
26	20101286	HVL Mixer Assembly with Air Motor Includes items # 1—6, 22, 23, 24 and 25
—	20101283	4AM Air Motor Service Kit
—	2091000	PC Sprayer Label Kit - Misc.
—	2091001	PC Sprayer Label Kit - A/B
—	1091130	Rotating Parts Warning Label
—	209V515	Operator's Manual –AM Series Lubricated Air Motors
—	205M113	Features & Specifications Guide - Spraymaster® Heated Coating Tank
—	206M113	Part Numbers & Schematics Guide – Spraymaster® Heated Coating Tank
—	2090113	Operator's Manual – Spraymaster® Heated Coating Tank

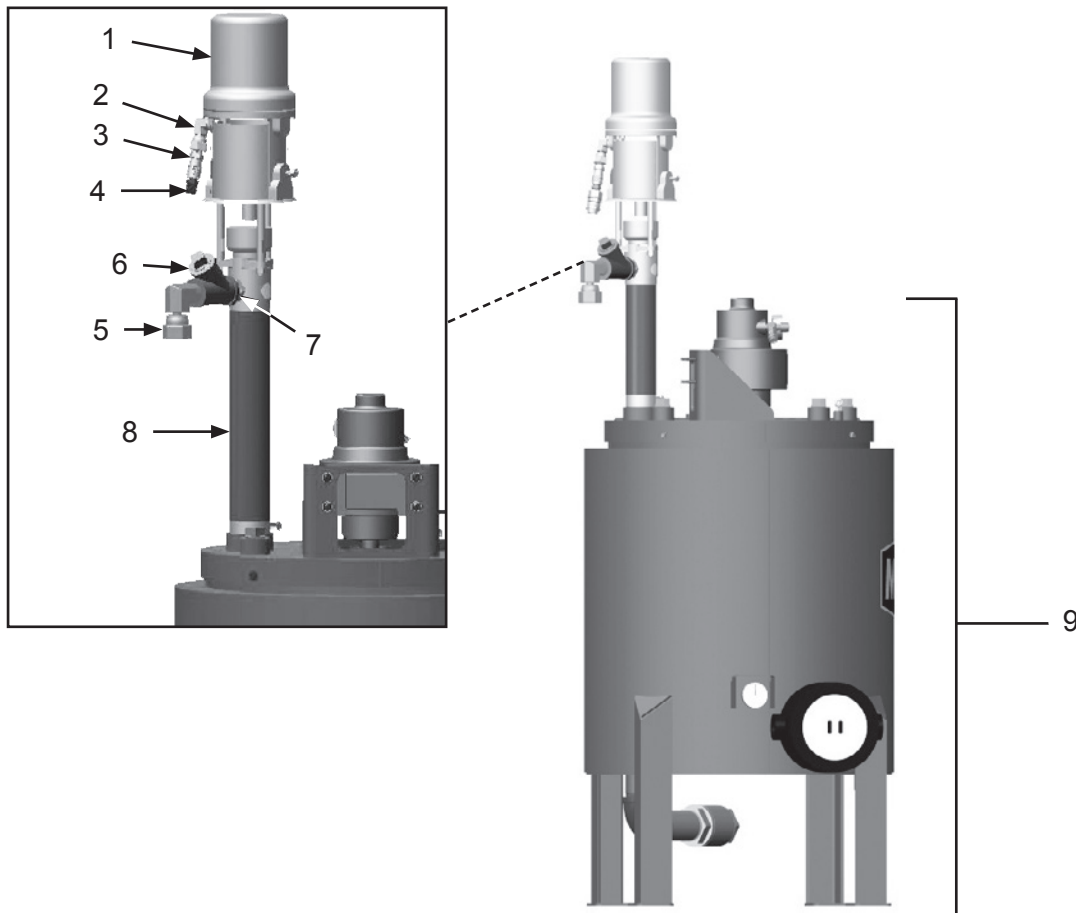
PART NUMBERS AND SCHEMATICS GUIDE

Figure 11: Spraymaster® 25 Gallon Heated Coatings Tank 240/480-Volts AC for High Viscosity Liquid



PART NUMBERS AND SCHEMATICS GUIDE

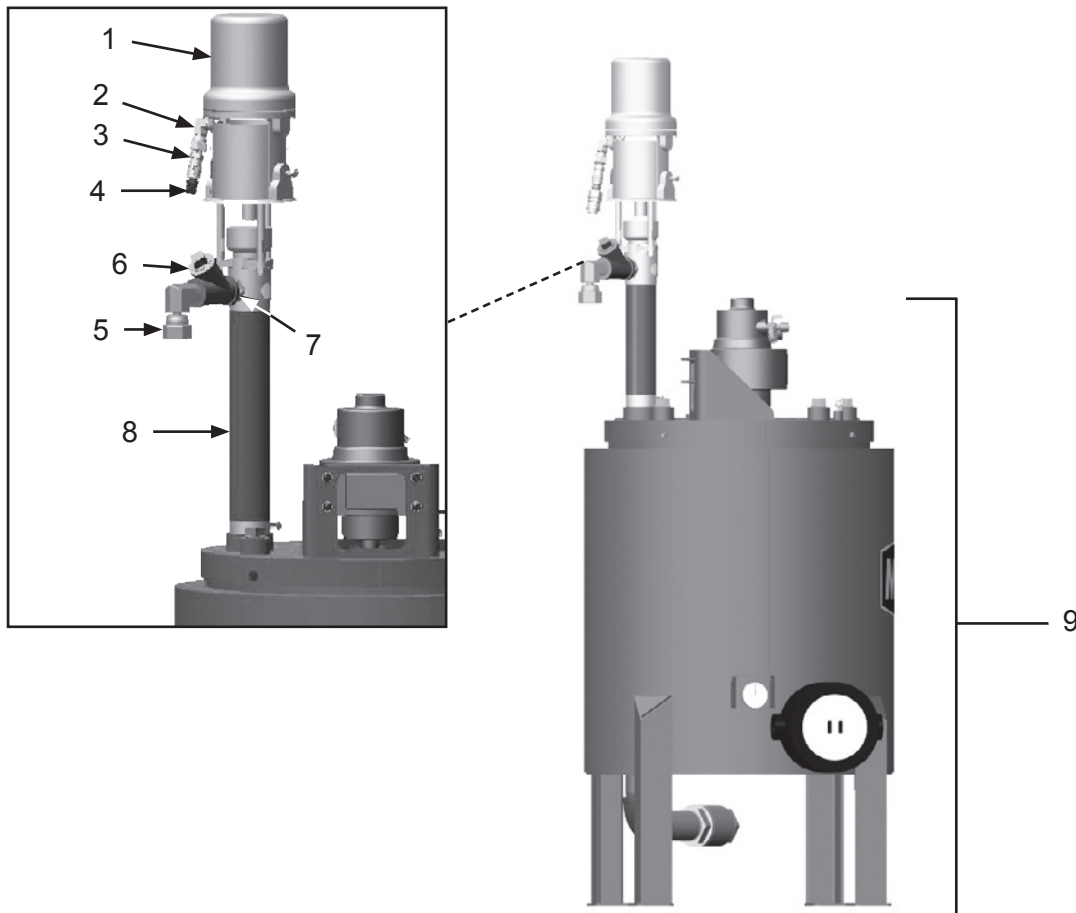
Figure 12: Spraymaster® 25 Gallon Heated Coating Tank 240-Volt AC for High Viscosity Liquid with 5:1 Transfer Pump



Item #	Part #	Description
Fig. 12		
—	20101089	Spraymaster® 25 Gallon Heated Coating Tank 240-Volt AC for High Viscosity Liquid with 5:1 Transfer Pump – Complete
1	20G248825	Monark® 5:1 Feed Pump
2	20PFHA60UA0606	3/8" NPT (M) X 3/8" (F) 90° Swivel Elbow
3	20100285	3/8" NPT 1/4" Male Quick Disconnect
4	20100286	3/8" NPT 1/4" Female Quick Disconnect
5	20PFHA60UA1616	1" NPT (M) X 1" (F) 90° Swivel Elbow
6	20101309	1" Wye Strainer
7	20PFHA24SA1612	1" X 3/4" NPT Hex Nipple
3	20100942	Tank Pump Spacer
9	20100930	Spraymaster® 25 Gallon Heated Coating Tank 240-Volt AC for High Viscosity Liquid
—	2091000	PC Sprayer Label Kit – Misc.
—	2091001	PC Sprayer Label Kit – A/B
—	205M113	Features & Specifications Guide – Spraymaster® 25 Gallon Heated Coating Tank
—	206M113	Part Numbers & Schematics Guide – Spraymaster® 25 Gallon Heated Coating Tank
—	206M555	Part Numbers & Schematics Guide – Graco® Monark® 5:1 Airless Spray Pump
—	2090113	Operator's Manual – Spraymaster® 25 Gallon Heated Coating Tank
—	209V510	Operator's Manual – Merkur® Displacement Pump
—	209V511	Operator's Manual – Graco® Feed and Solvent Flush Kits
—	209V513	Operator's Manual – 5:1 Ratio Monark® Pump
—	209V515	Operator's Manual – AM Series Lubricated Air Motors

PART NUMBERS AND SCHEMATICS GUIDE

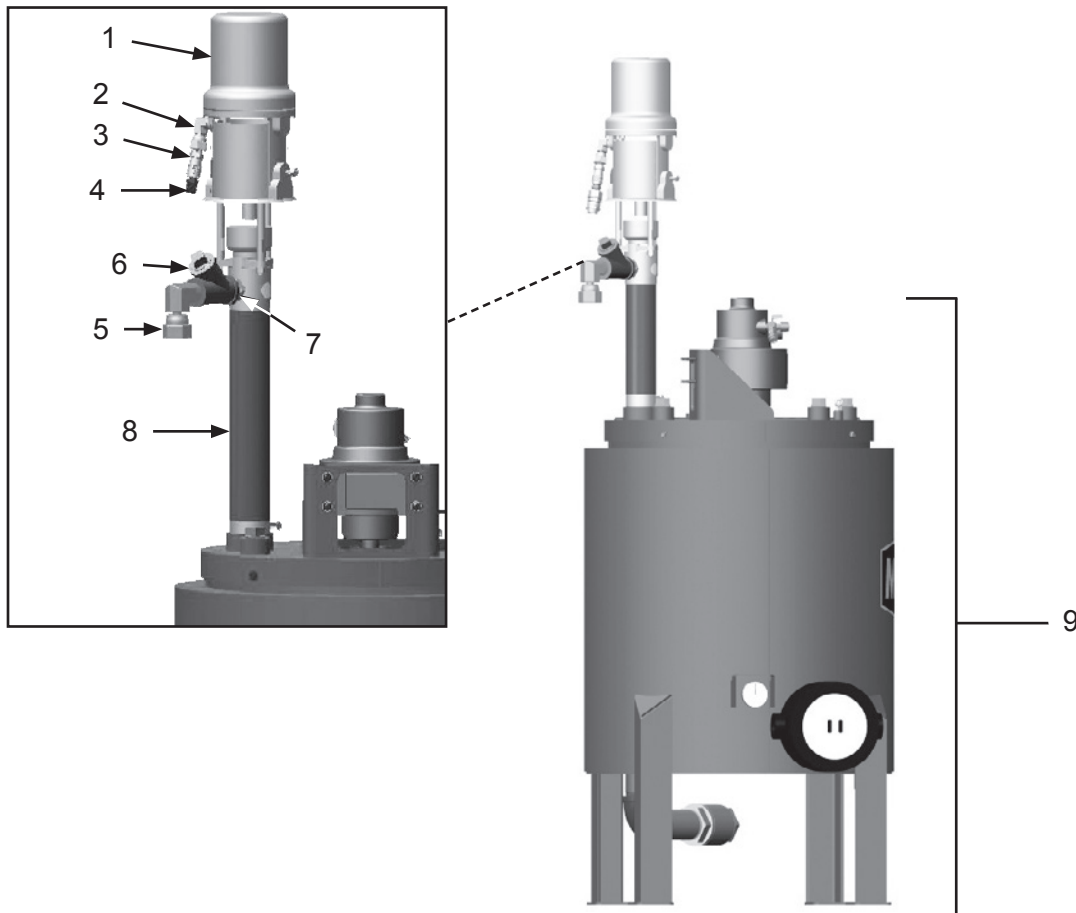
Figure 13: Spraymaster® 25 Gallon Heated Coating Tank 480-Volt AC for High Viscosity Liquid with 5:1 Transfer Pump



Item #	Part #	Description
Fig. 13		
—	20101090	Spraymaster® 25 Gallon Heated Coating Tank 480-Volt AC for High Viscosity Liquid with 5:1 Transfer Pump – Complete
1	20G248825	Monark® 5:1 Feed Pump
2	20PFHA60UA0606	3/8" NPT (M) X 3/8" (F) 90° Swivel Elbow
3	20100285	3/8" NPT 1/4" Male Quick Disconnect
4	20100286	3/8" NPT 1/4" Female Quick Disconnect
5	20PFHA60UA1616	1" NPT (M) X 1" (F) 90° Swivel Elbow
6	20101309	1" Wye Strainer
7	20PFHA24SA1612	1" X 3/4" NPT Hex Nipple
3	20100942	Tank Pump Spacer
9	20100931	Spraymaster® 25 Gallon Heated Coating Tank 480-Volt AC for High Viscosity Liquid
—	2091000	PC Sprayer Label Kit – Misc.
—	2091001	PC Sprayer Label Kit – A/B
—	205M113	Features & Specifications Guide – Spraymaster® 25 Gallon Heated Coating Tank
—	206M113	Part Numbers & Schematics Guide – Spraymaster® 25 Gallon Heated Coating Tank
—	206M555	Part Numbers & Schematics Guide – Graco® Monark® 5:1 Airless Spray Pump
—	2090113	Operator's Manual – Spraymaster® 25 Gallon Heated Coating Tank
—	209V510	Operator's Manual – Merkur® Displacement Pump
—	209V511	Operator's Manual – Graco® Feed and Solvent Flush Kits
—	209V513	Operator's Manual – 5:1 Ratio Monark® Pump
—	209V515	Operator's Manual – AM Series Lubricated Air Motors

PART NUMBERS AND SCHEMATICS GUIDE

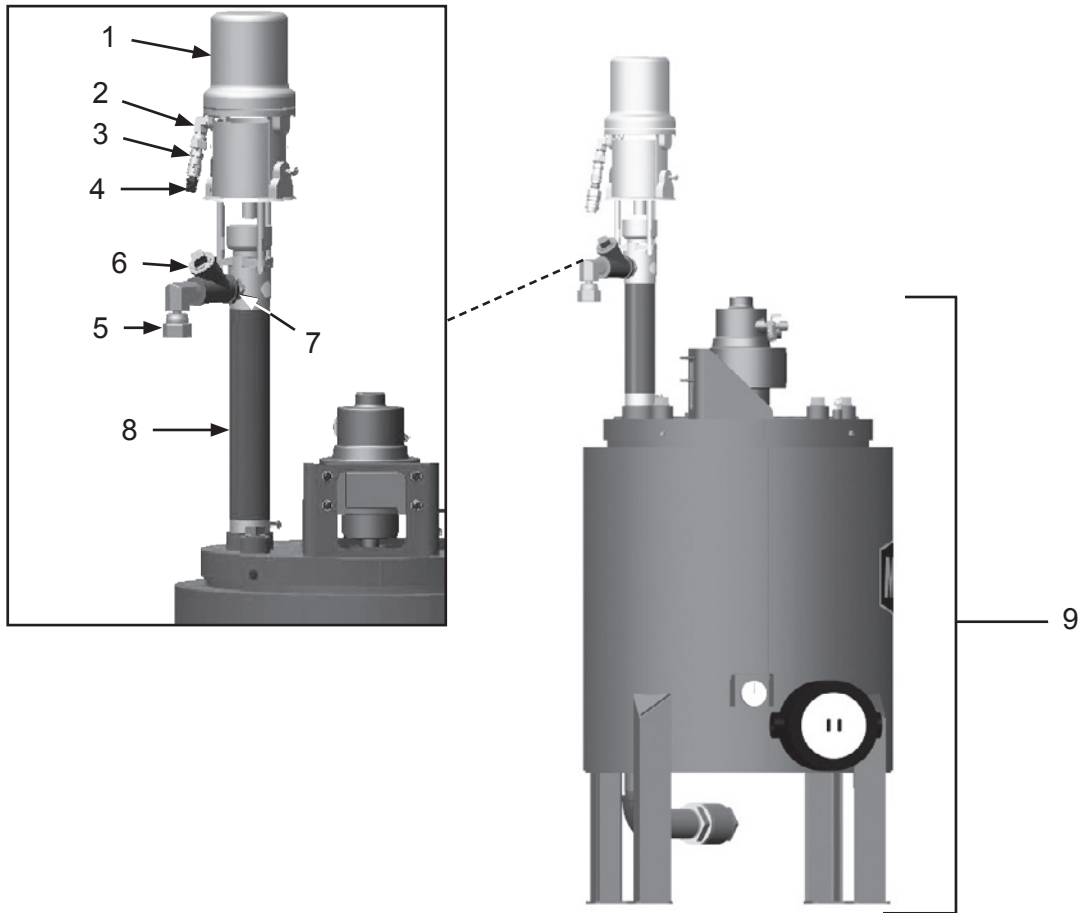
Figure 14: Spraymaster® 25 Gallon Heated Coating Tank 240-Volt AC for High Viscosity Liquid with 10:1 Transfer Pump



Item #	Part #	Description
Fig. 14		
—	20101093	Spraymaster® 25 Gallon Heated Coating Tank 240-Volt AC for High Viscosity Liquid with 10:1 Transfer Pump – Complete
1	20G256433	President® 10:1 Feed Pump
2	20PFHA60UA0606	3/8" NPT (M) X 3/8" (F) 90° Swivel Elbow
3	20100285	3/8" NPT 1/4" Male Quick Disconnect
4	20100286	3/8" NPT 1/4" Female Quick Disconnect
5	20PFHA60UA1616	1" NPT (M) X 1" (F) 90° Swivel Elbow
6	20101309	1" Wye Strainer
7	20PFHA24SA1612	1" X 3/4" NPT Hex Nipple
3	20100942	Tank Pump Spacer
9	20100930	Spraymaster® 25 Gallon Heated Coating Tank 240-Volt AC for High Viscosity Liquid
—	2091000	PC Sprayer Label Kit – Misc.
—	2091001	PC Sprayer Label Kit – A/B
—	205M113	Features & Specifications Guide – Spraymaster® 25 Gallon Heated Coating Tank
—	206M113	Part Numbers & Schematics Guide – Spraymaster® 25 Gallon Heated Coating Tank
—	206M557	Part Numbers & Schematics Guide – Graco® President® 10:1 Airless Spray Pump
—	2090113	Operator's Manual – Spraymaster® 25 Gallon Heated Coating Tank
—	209V510	Operator's Manual – Merkur® Displacement Pump
—	209V511	Operator's Manual – Graco® Feed and Solvent Flush Kits
—	209V514	Operator's Manual – 10:1 Ratio President® Pump
—	209V515	Operator's Manual – AM Series Lubricated Air Motors

PART NUMBERS AND SCHEMATICS GUIDE

Figure 15: Spraymaster® 25 Gallon Heated Coating Tank 480-Volt AC for High Viscosity Liquid with 10:1 Transfer Pump



Item #	Part #	Description
Fig. 15		
—	20101094	Spraymaster® 25 Gallon Heated Coating Tank 480-Volt AC for High Viscosity Liquid with 10:1 Transfer Pump – Complete
1	20G256433	President® 10:1 Feed Pump
2	20PFHA60UA0606	3/8" NPT (M) X 3/8" (F) 90° Swivel Elbow
3	20100285	3/8" NPT 1/4" Male Quick Disconnect
4	20100286	3/8" NPT 1/4" Female Quick Disconnect
5	20PFHA60UA1616	1" NPT (M) X 1" (F) 90° Swivel Elbow
6	20101309	1" Wye Strainer
7	20PFHA24SA1612	1" X 3/4" NPT Hex Nipple
3	20100942	Tank Pump Spacer
9	20100931	Spraymaster® 25 Gallon Heated Coating Tank 480-Volt AC for High Viscosity Liquid
—	2091000	PC Sprayer Label Kit – Misc.
—	2091001	PC Sprayer Label Kit – A/B
—	205M113	Features & Specifications Guide – Spraymaster® 25 Gallon Heated Coating Tank
—	206M113	Part Numbers & Schematics Guide – Spraymaster® 25 Gallon Heated Coating Tank
—	206M557	Part Numbers & Schematics Guide – Graco® President® 10:1 Airless Spray Pump
—	2090113	Operator's Manual – Spraymaster® 25 Gallon Heated Coating Tank
—	209V510	Operator's Manual – Merkur® Displacement Pump
—	209V511	Operator's Manual – Graco® Feed and Solvent Flush Kits
—	209V514	Operator's Manual – 10:1 Ratio President® Pump
—	209V515	Operator's Manual – AM Series Lubricated Air Motors

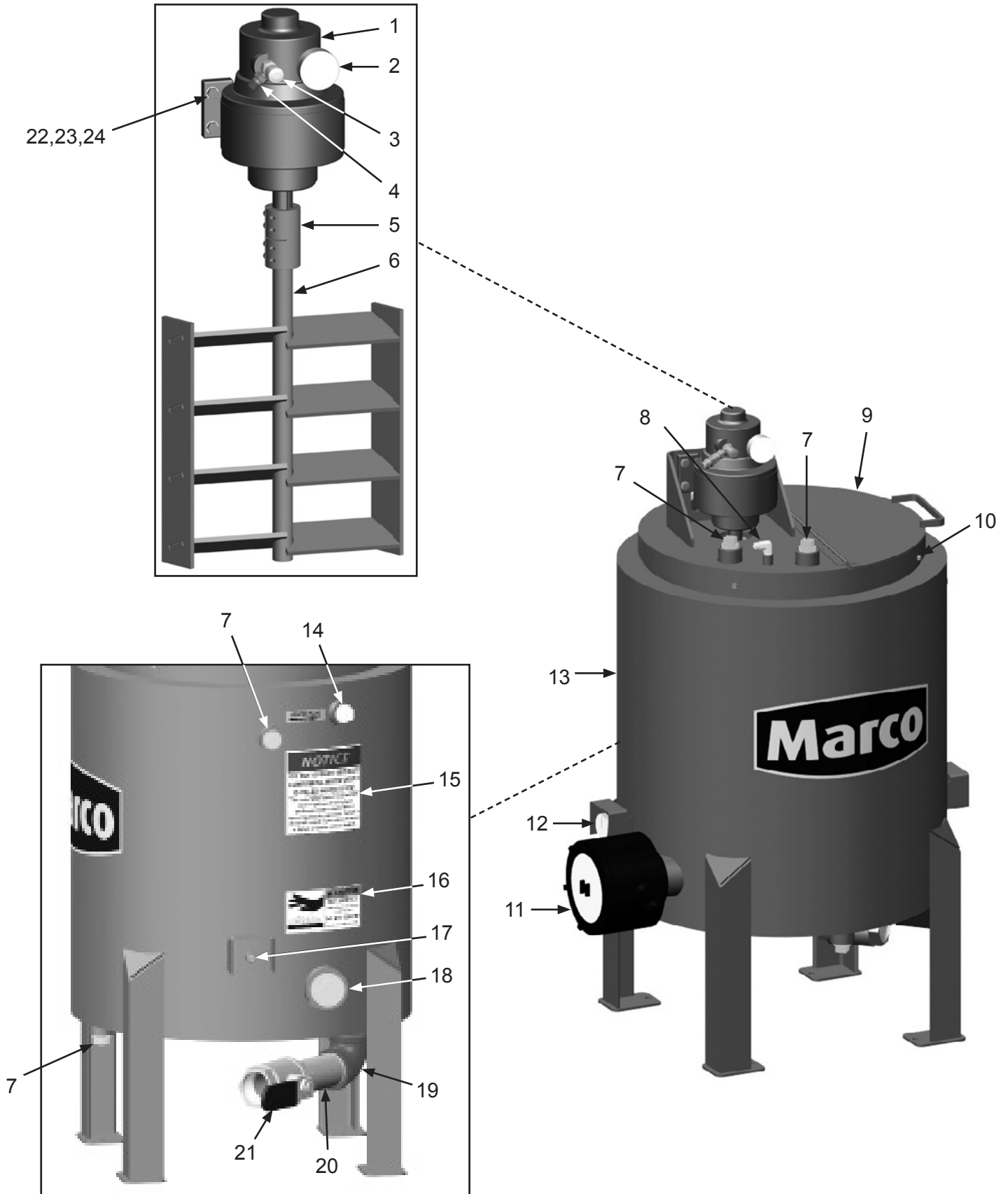
PART NUMBERS AND SCHEMATICS GUIDE

Spraymaster® 25 Gallon Heated Coating Tank 240/480-Volt AC Hazardous Location for High Viscosity Liquid

Item #	Part #	Description
Fig. 16		
—	20100932	Spraymaster® 25 Gallon Heated Coating Tank 240-Volt AC Hazardous Location for High Viscosity Liquid – Complete
—	20100933	Spraymaster® 25 Gallon Heated Coating Tank 480-Volt AC Hazardous Location for High Viscosity Liquid – Complete
1	20100827	15:1 Gear Driven Air Motor <i>(Includes Item #: 2)</i>
2	20BK350401	Air Motor Muffler Assembly
3	20G206264	1/4" NPT Needle Valve
4	20PFHA24SA0402	1/8" X 1/4" NPT Hex Nipple
5	20100843	1" X 1" Shaft Coupling
6	20100815	6" Mixer Blade
7	1011901	1" NPT Square Head Plug <i>(Five Required)</i>
8	20PFHA25UA0404	1/4" NPT (M) 90° Elbow
9	20101098	25 Gallon Round HVL Lid Weldment
10	20100131	1/4-14 X 1-1/2" Self-Tapping Screw <i>(Four Required)</i>
11	20101108	240V Haz. Duty Immersion Heater
—	20101109	480V Haz. Duty Immersion Heater
12	20HHH0254F47	1/4" NPT 0-250 Thermometer
13	20100679	Heated Supply Tank
14	20100186	1" NPT Square Head Plug with 1/8" Relief Hole
15	20100173	Hot Surfaces Warning Label
16	20100174	Heater Notice Label
17	1012052	1/4" NPT Square Head Plug
18	1011823	2" NPT Square Head Plug
19	10101339	2" NPT 90° Elbow
20	20100146	2" X 6" NPT Nipple
21	20101151	2" NPT Full Port Ball Valve
22	20100897	5/16-18 X 1-1/2" Hex Bolt <i>(Four Required)</i>
23	10L805003	5/16" Flat Washer <i>(Eight Required)</i>
24	20100900	5/16-18 Hex Lock Nut <i>(Four Required)</i>
—	2091000	PC Sprayer Label Kit – Misc.
—	2091001	PC Sprayer Label Kit – A/B
—	1091130	Hazardous Identification Label, Rotating Parts
—	209V515	Operator's Manual – AM Series Lubricated Air Motors
—	205M113	Features & Specifications Guide – Spraymaster® 25 Gallon Heated Coating Tank
—	206M113	Part Numbers & Schematics Guide – Spraymaster® 25 Gallon Heated Coating Tank
—	2090113	Operator's Manual – Spraymaster® 25 Gallon Heated Coating Tank

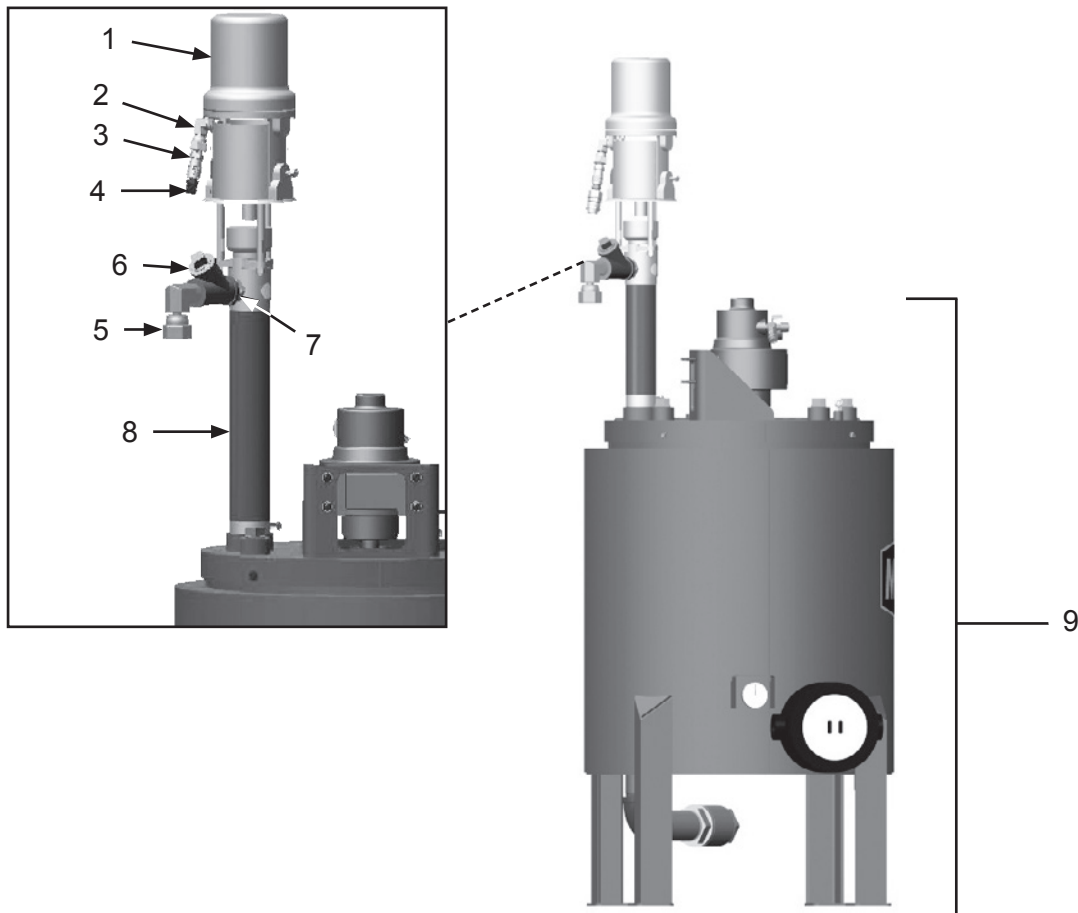
PART NUMBERS AND SCHEMATICS GUIDE

Figure 16: Spraymaster® 25 Gallon Heated Coating Tank 240/480-Volt AC Hazardous Location for High Viscosity Liquid



PART NUMBERS AND SCHEMATICS GUIDE

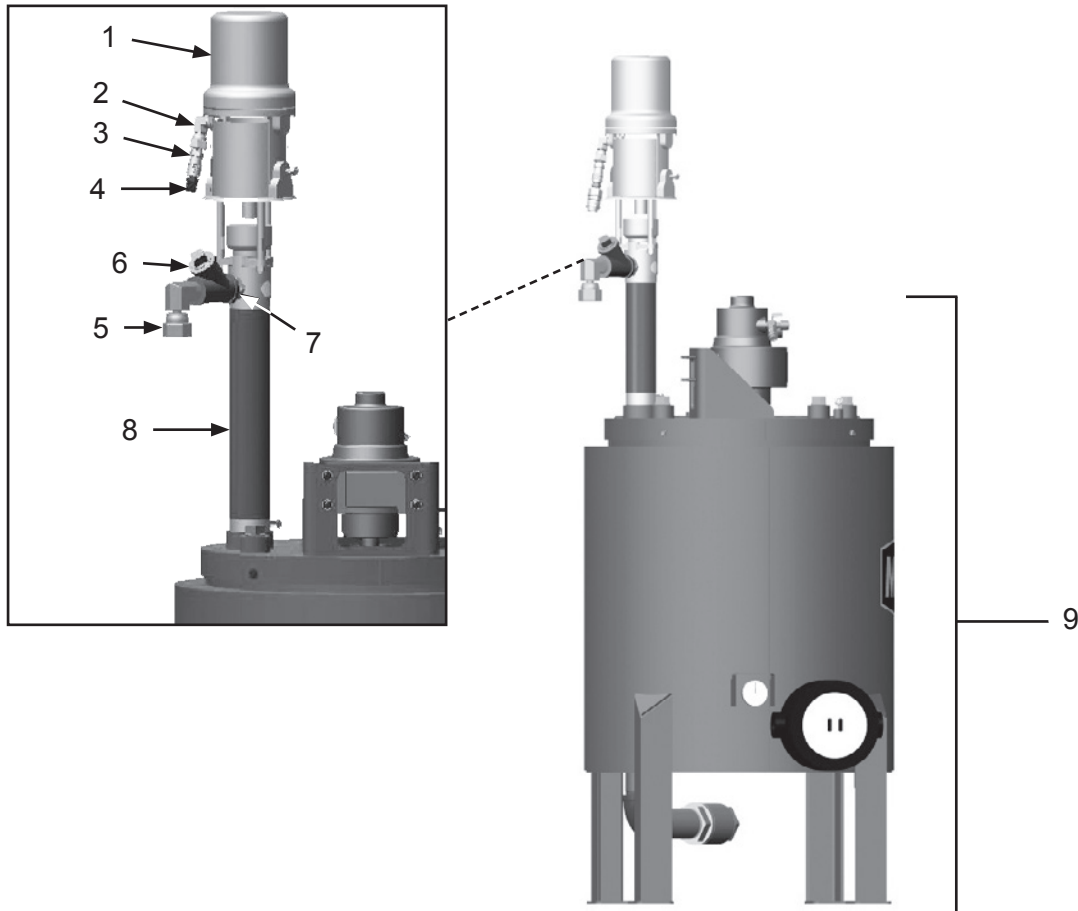
Figure 17: Spraymaster® 25 Gallon Heated Coating Tank 240-Volt AC Hazardous Location for High Viscosity Liquid with 5:1 Transfer Pump



Item #	Part #	Description
Fig. 17		
—	20101091	Spraymaster® 25 Gallon Heated Coating Tank 240-Volt AC Hazardous Location for High Viscosity Liquid with 5:1 Transfer Pump – Complete
1	20G248825	Monark® 5:1 Feed Pump
2	20PFHA60UA0606	3/8" NPT (M) X 3/8" (F) 90° Swivel Elbow
3	20100285	3/8" NPT 1/4" Male Quick Disconnect
4	20100286	3/8" NPT 1/4" Female Quick Disconnect
5	20PFHA60UA1616	1" NPT (M) X 1" (F) 90° Swivel Elbow
6	20101309	1" Wye Strainer
7	20PFHA24SA1612	1" X 3/4" NPT Hex Nipple
3	20100942	Tank Pump Spacer
9	20100932	Spraymaster® 25 Gallon Heated Coating Tank 240-Volt AC Hazardous Location for High Viscosity Liquid
—	2091000	PC Sprayer Label Kit – Misc.
—	2091001	PC Sprayer Label Kit – A/B
—	205M113	Features & Specifications Guide – Spraymaster® 25 Gallon Heated Coating Tank
—	206M113	Part Numbers & Schematics Guide – Spraymaster® 25 Gallon Heated Coating Tank
—	206M555	Part Numbers & Schematics Guide – Graco® Monark® 5:1 Airless Spray Pump
—	2090113	Operator's Manual – Spraymaster® 25 Gallon Heated Coating Tank
—	209V510	Operator's Manual – Merkur® Displacement Pump
—	209V511	Operator's Manual – Graco® Feed and Solvent Flush Kits
—	209V513	Operator's Manual – 5:1 Ratio Monark® Pump
—	209V515	Operator's Manual – AM Series Lubricated Air Motors

PART NUMBERS AND SCHEMATICS GUIDE

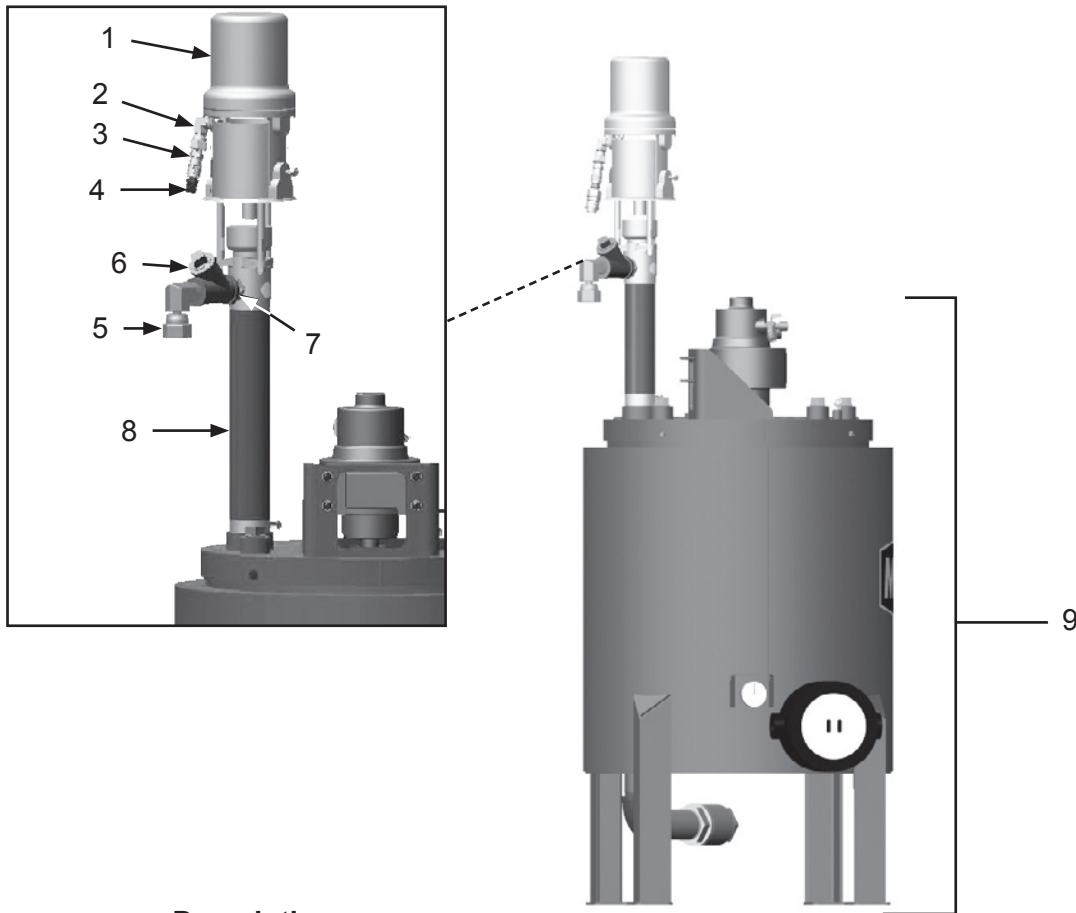
Figure 18: Spraymaster® 25 Gallon Heated Coating Tank 480-Volt AC Hazardous Location for High Viscosity Liquid with 5:1 Transfer Pump



Item #	Part #	Description
Fig. 18		
—	20101092	Spraymaster® 25 Gallon Heated Coating Tank 480-Volt AC Hazardous Location for High Viscosity Liquid with 5:1 Transfer Pump – Complete
1	20G248825	Monark® 5:1 Feed Pump
2	20PFHA60UA0606	3/8" NPT (M) X 3/8" (F) 90° Swivel Elbow
3	20100285	3/8" NPT 1/4" Male Quick Disconnect
4	20100286	3/8" NPT 1/4" Female Quick Disconnect
5	20PFHA60UA1616	1" NPT (M) X 1" (F) 90° Swivel Elbow
6	20101309	1" Wye Strainer
7	20PFHA24SA1612	1" X 3/4" NPT Hex Nipple
3	20100942	Tank Pump Spacer
9	20100933	Spraymaster® 25 Gallon Heated Coating Tank 480-Volt AC Hazardous Location for High Viscosity Liquid
—	2091000	PC Sprayer Label Kit – Misc.
—	2091001	PC Sprayer Label Kit – A/B
—	205M113	Features & Specifications Guide – Spraymaster® 25 Gallon Heated Coating Tank
—	206M113	Part Numbers & Schematics Guide – Spraymaster® 25 Gallon Heated Coating Tank
—	206M555	Part Numbers & Schematics Guide – Graco® Monark® 5:1 Airless Spray Pump
—	2090113	Operator's Manual – Spraymaster® 25 Gallon Heated Coating Tank
—	209V510	Operator's Manual – Merkur® Displacement Pump
—	209V511	Operator's Manual – Graco® Feed and Solvent Flush Kits
—	209V513	Operator's Manual – 5:1 Ratio Monark® Pump
—	209V515	Operator's Manual – AM Series Lubricated Air Motors

PART NUMBERS AND SCHEMATICS GUIDE

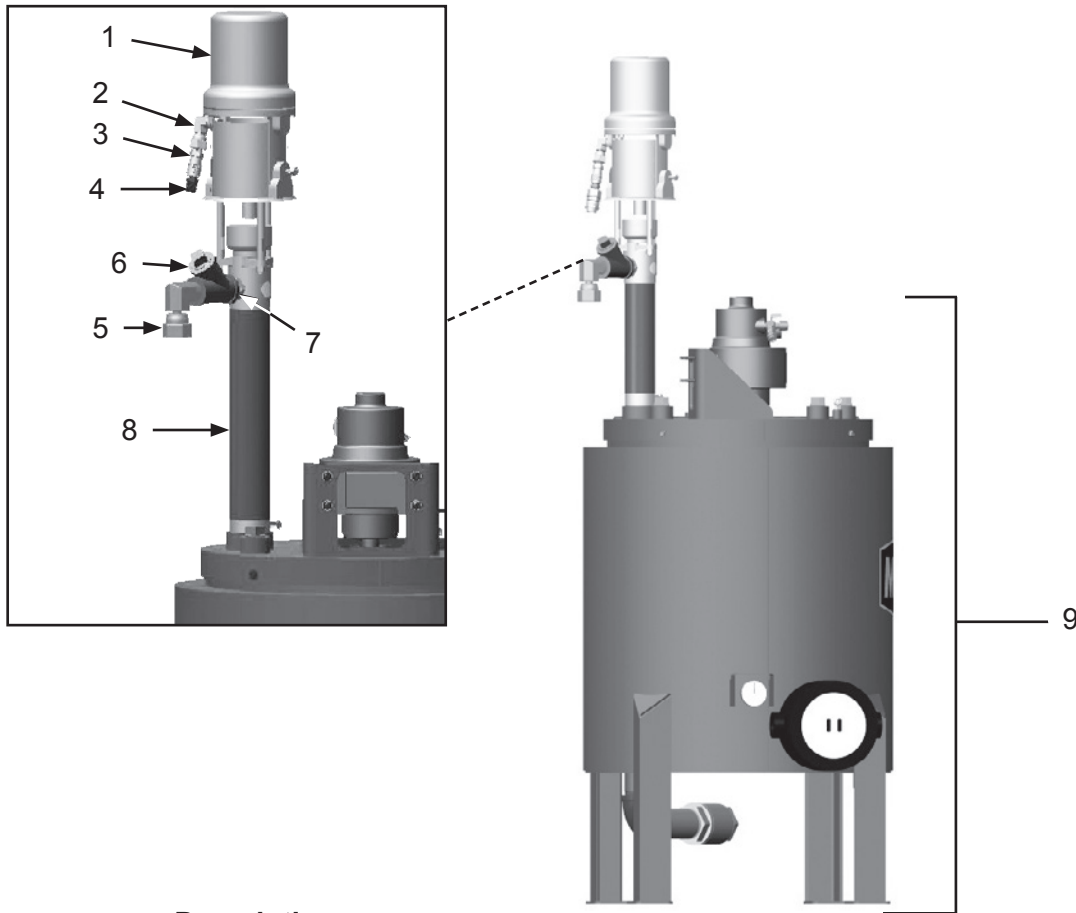
Figure 19: Spraymaster® 25 Gallon Heated Coating Tank 240-Volt AC Hazardous Location for High Viscosity Liquid with 10:1 Transfer Pump



Item #	Part #	Description
Fig. 19		
—	20101095	Spraymaster® 25 Gallon Heated Coating Tank 240-Volt AC Hazardous Location for High Viscosity Liquid with 10:1 Transfer Pump – Complete
1	20G256433	President® 10:1 Feed Pump
2	20PFHA60UA0606	3/8" NPT (M) X 3/8" (F) 90° Swivel Elbow
3	20100285	3/8" NPT 1/4" Male Quick Disconnect
4	20100286	3/8" NPT 1/4" Female Quick Disconnect
5	20PFHA60UA1616	1" NPT (M) X 1" (F) 90° Swivel Elbow
6	20101309	1" Wye Strainer
7	20PFHA24SA1612	1" X 3/4" NPT Hex Nipple
3	20100942	Tank Pump Spacer
9	20100932	Spraymaster® 25 Gallon Heated Coating Tank 240-Volt AC Hazardous Location for High Viscosity Liquid
—	2091000	PC Sprayer Label Kit – Misc.
—	2091001	PC Sprayer Label Kit – A/B
—	205M113	Features & Specifications Guide – Spraymaster® 25 Gallon Heated Coating Tank
—	206M113	Part Numbers & Schematics Guide – Spraymaster® 25 Gallon Heated Coating Tank
—	206M557	Part Numbers & Schematics Guide – Graco® President® 10:1 Airless Spray Pump
—	2090113	Operator's Manual – Spraymaster® 25 Gallon Heated Coating Tank
—	209V510	Operator's Manual – Merkur® Displacement Pump
—	209V511	Operator's Manual – Graco® Feed and Solvent Flush Kits
—	209V514	Operator's Manual – 10:1 Ratio President® Pump
—	209V515	Operator's Manual – AM Series Lubricated Air Motors

PART NUMBERS AND SCHEMATICS GUIDE

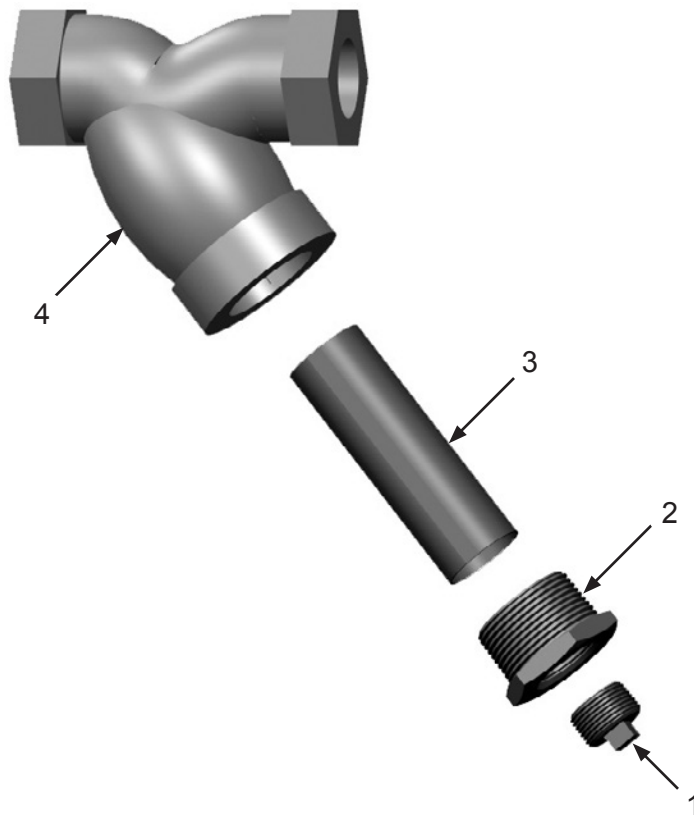
Figure 20: Spraymaster® 25 Gallon Heated Coating Tank 480-Volt AC Hazardous Location for High Viscosity Liquid with 10:1 Transfer Pump



Item #	Part #	Description
Fig. 20		
—	20101096	Spraymaster® 25 Gallon Heated Coating Tank 480-Volt AC Hazardous Location for High Viscosity Liquid with 10:1 Transfer Pump – Complete
1	20G256433	President® 10:1 Feed Pump
2	20PFHA60UA0606	3/8" NPT (M) X 3/8" (F) 90° Swivel Elbow
3	20100285	3/8" NPT 1/4" Male Quick Disconnect
4	20100286	3/8" NPT 1/4" Female Quick Disconnect
5	20PFHA60UA1616	1" NPT (M) X 1" (F) 90° Swivel Elbow
6	20101309	1" Wye Strainer
7	20PFHA24SA1612	1" X 3/4" NPT Hex Nipple
3	20100942	Tank Pump Spacer
9	20100933	Spraymaster® 25 Gallon Heated Coating Tank 480-Volt AC Hazardous Location for High Viscosity Liquid
—	2091000	PC Sprayer Label Kit – Misc.
—	2091001	PC Sprayer Label Kit – A/B
—	205M113	Features & Specifications Guide – Spraymaster® 25 Gallon Heated Coating Tank
—	206M113	Part Numbers & Schematics Guide – Spraymaster® 25 Gallon Heated Coating Tank
—	206M557	Part Numbers & Schematics Guide – Graco® President® 10:1 Airless Spray Pump
—	2090113	Operator's Manual – Spraymaster® 25 Gallon Heated Coating Tank
—	209V510	Operator's Manual – Merkur® Displacement Pump
—	209V511	Operator's Manual – Graco® Feed and Solvent Flush Kits
—	209V514	Operator's Manual – 10:1 Ratio President® Pump
—	209V515	Operator's Manual – AM Series Lubricated Air Motors

PART NUMBERS AND SCHEMATICS GUIDE

Figure 21: Wye Strainer



Item #	Part #	Description
1	10DSHP75	3/4" Square Head Pipe Plug Galvanized
2	20101311	1-1/4" x 3/4" NPT Bushing
3	20101310	Strainer Screen
4	20101309	1" Y Strainer M20 Mesh

GLOBAL HEADQUARTERS

- 3425 East Locust Street
Davenport, IA 52803

ph: 800.BLAST.IT (800.252.7848)

ph: 563.324.2519

fax: 563.324.6258

GULF STATES HEADQUARTERS

- 701 East Boulevard
Deer Park, TX 77536

ph: 800.BLAST.IT (800.252.7848)

ph: 281.930.0905

fax: 281.542.0736

REGIONAL BRANCH OFFICES

- **Iowa**
Davenport
- **Louisiana**
Gonzales
Lafayette
- **Ohio**
Youngstown
- **Texas**
Beaumont
Corpus Christi
Deer Park



ABRASIVES

BLASTING

COATING

DUST COLLECTORS

ENGINEERED SYSTEMS

RENTAL

SAFETY

SERVICE & REPAIR

VACUUMS

40+ NATIONWIDE SHIPPING LOCATIONS



★ Marco Regional Branch Offices
and Shipping Locations

● Direct Shipping Locations

CONTACT MARCO

800.BLAST.IT

(800.252.7848)

563.324.2519

FAX: 563.324.6258

WWW.MARCO.US

SALES@MARCO.US