



MARCO® 2.0 CU. FT. ABRASIVE BLASTING POT



Powered by **ALLREDI**.

PART NUMBERS AND SCHEMATICS GUIDE

Company Profile

Allredi was formed in the early 2020, when two of the largest distributors in the blasting, coating, safety, and environmental industry, APE Companies and Marco Group International, joined forces. While the qualities both companies are known for have not changed, a lot about our business is new. New abilities. New agilities. New ways to help you win. This calls for a new name, Allredi.

This name exemplifies what we have become. It is completely oriented to the needs of our customers. To your needs. It says that when you call us for anything – products, service, expert advice, anything – you can consider it done. Or even better, Allredi done.

We are your right-now supplier. From skills to SKUs, we deliver the goods fast. So you can be more agile every minute, every day. This is who we are. This is what our new name means. Go ahead and expect excellence, because we're bringing it.

Our Mission and Vision

To be the industry's preferred partner in surface preparation solutions through unrivaled technical expertise, customer experience, product availability, and tailored service offerings.

The Allredi Difference

- **Industry Experience** – With Allredi on your team, you have access to expertise which can only come from decades of industry leadership. We have organized our engineering department, production specialists, customer operations, and safety support into a "Center of Competence." As an Allredi customer, you have access to hundreds of years of cumulative experience related to your operations.
- **Manufacturing Excellence** – Allredi is a U.S. based manufacturer of equipment for the Surface Preparation and Protective Coatings industries. Allredi's engineers benchmark the industry to ensure that we design and manufacture superior products that set the "Gold Standard" for performance, safety, and quality.
- **Legendary Customer Service** – Allredi's legendary customer service team is staffed by friendly, highly-trained individuals who are focused on providing the highest level of product support, order accuracy, and customer satisfaction.
- **Product Availability** – We stock over 10,000 SKU's and have over 45 shipping locations to serve North American and International markets for all major brands of blasting, coating, environmental, and safety equipment. Allredi is your right-now supplier, so you can keep your projects moving. From our foundation of strong relationships, we have built a nationwide network that puts vast inventory and ready service close to our customers. We provide advanced expertise, and we deliver the goods fast – so you can easily access the products and services you need to be more agile every minute, every day.
- **Technology Leadership** – Our website provides: Operator's Manuals, Part Numbers and Schematics Guides, SDS information, and key product features and specifications, providing access to information 24/7.

TABLE OF CONTENTS

Company Profile	2
Part Numbers	4
Part Numbers and Schematics	5
Inspection Door Assembly	5
Pop-up Valve Assembly	5
Marco® 2.0 Cu. Ft. Abrasive Blasting Pot – Pneumatic . . .	6
Marco® 2.0 Cu. Ft. Abrasive Blasting Pot – 12-Volt DC Electric	8
Marco® 2.0 Cu. Ft. Abrasive Blasting Pot – 12-Volt DC Electric	10
Marco® Bantam Abrasive Metering Valve	12
Pusher Line Assembly	14
Exhaust Muffler Assembly	15
Marco® 1” GateKeeper Air Valve	16
1” Diaphragm Outlet Valve	18
12-Volt DC 190 Electric Control Assembly	20
12-Volt DC 190 Electric Solenoid	21
12-Volt AC 190 Electric Control Assembly	22
12-Volt AC 190 Electric Solenoid	23
120-Volt AC to 12-Volt AC Power Converter	24
Optional Accessories	26
1-1/4” Junior Extractor Abrasive Blasting Pot Moisture Separator	26
Lid and Screen	27

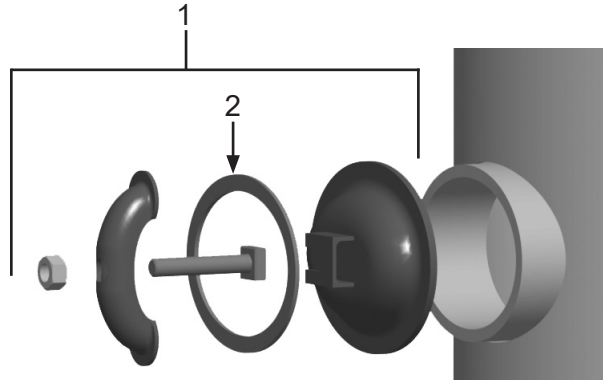
PART NUMBERS

MARCO® 2.0 CU. FT. ABRASIVE BLASTING POT

Part Numbers	Power Source	Marco® Remote Control Switch	Marco® Bantam Abrasive Metering Valve	1-1/4" Junior Extractor Abrasive Blasting Pot Moisture Separator
10107771	Pneumatic	152P	1-1/4"	
10107771PKA	Pneumatic	152P	1-1/4"	X
10107773	12-Volt DC	151E	1-1/4"	
10107773PKA	12-Volt DC	151E	1-1/4"	X
10107775	120-Volt AC	151E	1-1/4"	
10107775PKA	120-Volt AC	151E	1-1/4"	X

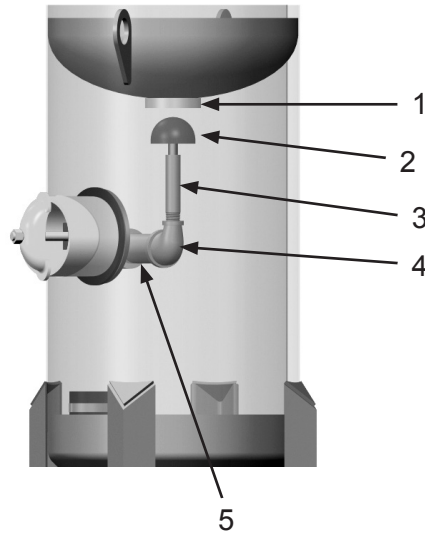
PART NUMBERS AND SCHEMATICS

Figure 1: Inspection Door Assembly



Item #	Part #	Description
Fig. 1		
1	10101752	4" x 6" Inspection Door Assembly
2	10101123	Gasket

Figure 2: Pop-up Valve Assembly



Item #	Part #	Description
Fig. 2		
1	10101132	Pop-Up Seat
2	10101133	Pop-Up Valve
3	10108188	1/2" x 4" Toe Nipple
4	10101141	1-1/4" x 1/2" NPT Elbow
5	1006208	1-1/4" x 5-1/2" Pipe Nipple

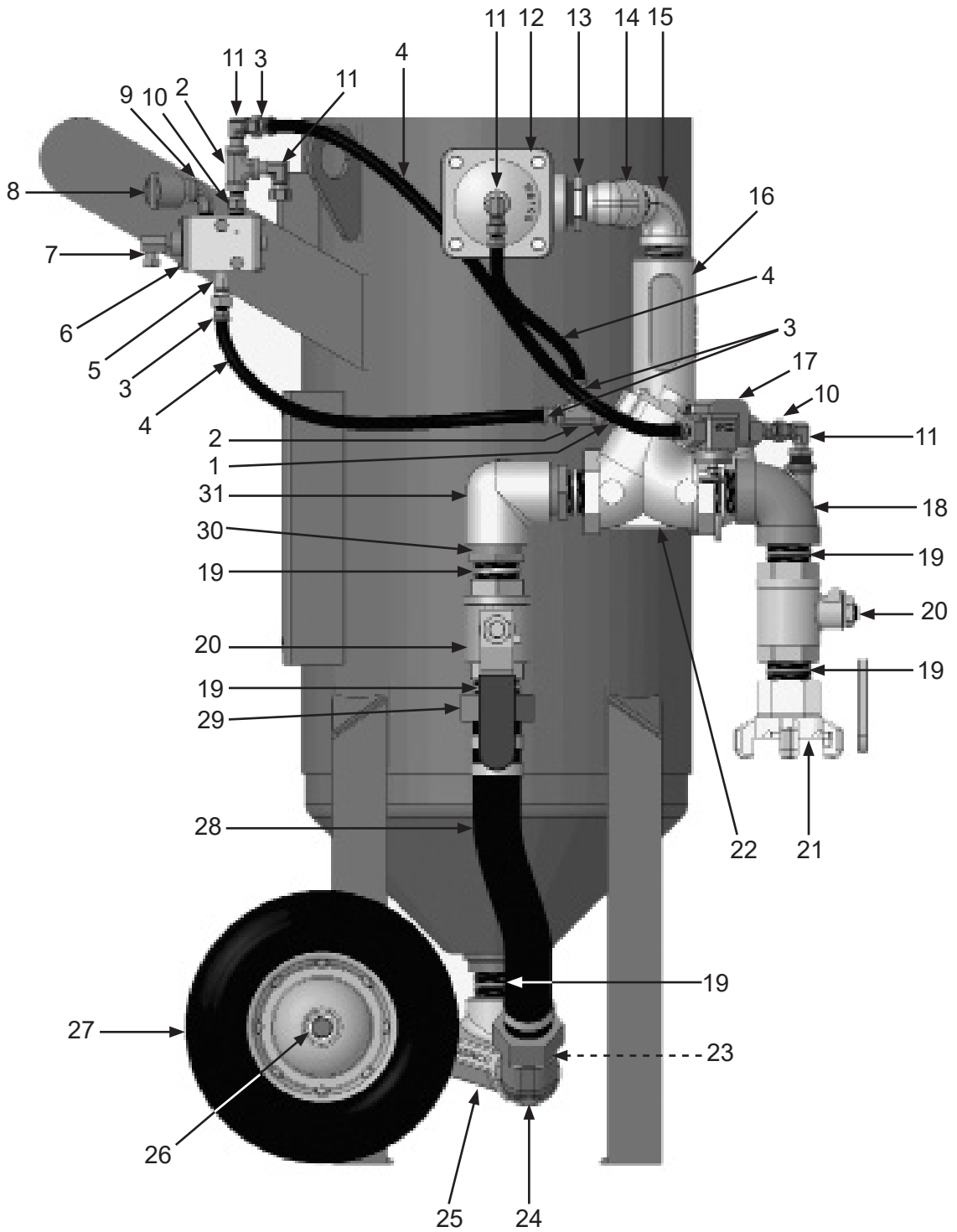
PART NUMBERS AND SCHEMATICS

Marco® 2.0 Cu. Ft. Abrasive Blasting Pot – Pneumatic

Item #	Part #	Description
Fig. 3		
1	10PVFIT1	1/4" x 1/8" Hex Nipple
2	1011844	1/4" Galvanized Pipe Tee
3	10PAF025	1/4" x 1/4" (M) Push-On Fitting
4	10AH025	1/4" I.D. Air Hose (<i>Per Foot</i>)
5	10SME025	1/4" NPT x 1/4" (F) Straight Swivel
6	1019000	190 Pneumatic Control Valve (<i>See Fig. 11</i>)
7	1014239	1/8" x 1/8" x 90° Fitting
8	10DE025	Dust Eliminator
9	1011824	1/4" x 90° Galvanized Street Elbow
10	1017019	1/4" x 1/4" Hex Nipple
11	1012326	1/4" x 1/4" 90° Swivel
12	1012150	Marco® 1" Diaphragm Outlet Valve (<i>See Fig. 10</i>)
13	1012157	1-1/4" x 1" Bushing
14	1011838	1" x 45° Street Elbow
15	1011801	1" Street Elbow
16	1011100	Muffler Assembly (<i>See Fig. 8</i>)
17	10WS	1/4" NPT Inline Strainer
18	1011827	1-1/4" x 1-1/4" 90° Elbow with 1/2" Side-Out
19	1011201	1-1/4" Galvanized Close Nipple (<i>Four Required</i>)
20	1011602	1-1/4" Full Port Ball Valve (<i>Two Required</i>)
21	10ME3	1-1/4" 4-Lug Coupling
22	1013100	Marco® 1" GateKeeper Air Valve (<i>See Fig. 9</i>)
23	10SB2S	1-1/2" Straight Thread Pot Coupling
24	1011830	1-1/4" x 45° Street Elbow
25	1014101	Marco® 1-1/4" Bantam Abrasive Metering Valve (<i>See Fig. 6</i>)
26	10101811	E-Clip for Axle (<i>Two Required</i>)
27	1006067	10" Wheel (<i>Two Required</i>)
28	1006311	1-1/4" Pusher Line Assembly (<i>See Fig. 7</i>)
29	10SFE3	1-1/4" (F) Swivel End (<i>Two Required</i>)
30	1011501	1-1/2" (M) x 1-1/4" (F) Galvanized Bushing
31	1011804	1-1/2" 90° Elbow with Side-Out
—	1015200	Marco® 152P Remote Control Switch (<i>not shown</i>)
—	1016000	1/4" x 1/8" x 55' Remote Control Twinline (<i>not shown</i>)
—	106M153	Part Numbers & Schematics Guide – Marco® 2.0 Cu. Ft. Abrasive Blasting Pot
—	1090153	Operator's Manual – Marco® 2.0 Cu. Ft. Abrasive Blasting Pot

PART NUMBERS AND SCHEMATICS

Figure 3: Marco® 2.0 Cu. Ft. Abrasive Blasting Pot – Pneumatic



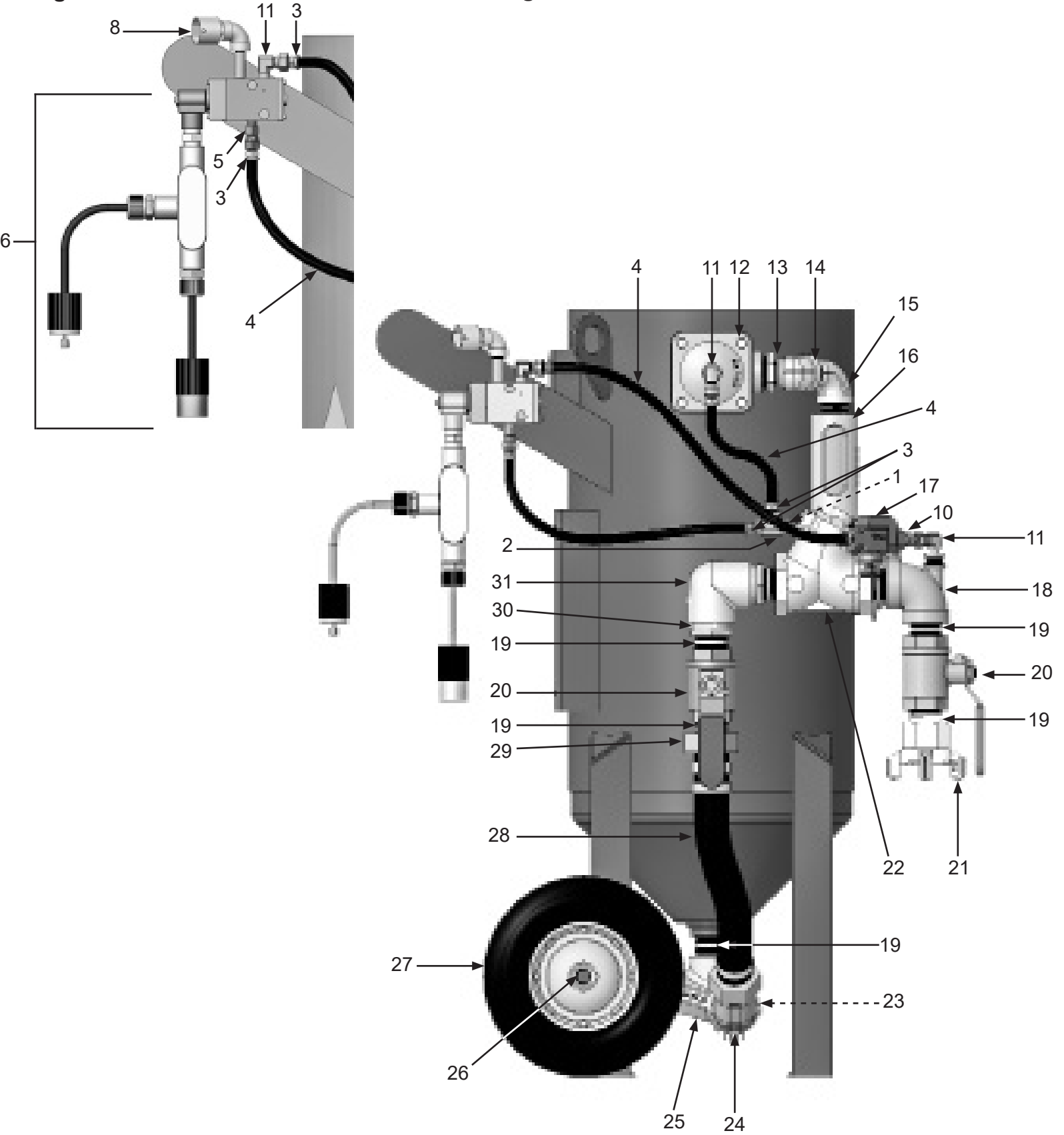
PART NUMBERS AND SCHEMATICS

Marco® 2.0 Cu. Ft. Abrasive Blasting Pot — 12-Volt DC Electric

Item #	Part #	Description
Fig. 4		
1	10PVFIT1	1/4" x 1/8" Hex Nipple
2	1011844	1/4" Galvanized Pipe Tee
3	10PAF025	1/4" x 1/4" (M) Push-On Fitting
4	10AH025	1/4" I.D. Air Hose (<i>Per Foot</i>)
5	10SME025	1/4" NPT x 1/4" (F) Straight Swivel
6	1019001	12-Volt DC 190 Electric Control Assembly (<i>See Fig. 12</i>)
7	1014239	1/8" x 1/8" x 90° Fitting
8	10DE025	Dust Eliminator
9	1011824	1/4" x 90° Galvanized Street Elbow
10	1017019	1/4" x 1/4" Hex Nipple
11	1012326	1/4" x 1/4" 90° Swivel
12	1012150	Marco® 1" Diaphragm Outlet Valve (<i>See Fig. 10</i>)
13	1012157	1-1/4" x 1" Bushing
14	1011838	1" x 45° Street Elbow
15	1011801	1" Street Elbow
16	1011100	Muffler Assembly (<i>See Fig. 8</i>)
17	10WS	1/4" NPT Inline Strainer
18	1011827	1-1/4" x 1-1/4" 90° Elbow with 1/2" Side-Out
19	1011201	1-1/4" Galvanized Close Nipple (<i>Four Required</i>)
20	1011602	1-1/4" Full Port Ball Valve (<i>Two Required</i>)
21	10ME3	1-1/4" 4-Lug Coupling
22	1013100	Marco® 1-1/4" GateKeeper Air Valve (<i>See Fig. 9</i>)
23	10SB2S	1-1/2" Straight Thread Pot Coupling
24	1011830	1-1/4" x 45° Street Elbow
25	1014101	Marco® 1-1/4" Bantam Abrasive Metering Valve (<i>See Fig. 6</i>)
26	10101811	E-Clip for Axle (<i>Two Required</i>)
27	1006067	10" Wheel (<i>Two Required</i>)
28	1006311	1-1/4" Pusher Line Assembly (<i>See Fig. 7</i>)
29	10SFE3	1-1/4" (F) Swivel End (<i>Two Required</i>)
30	1011501	1-1/2" (M) x 1-1/4" (F) Galvanized Bushing
31	1011804	1-1/2" 90° Elbow with Side-Out
—	1015100	Marco® 151E Remote Control Switch (<i>not shown</i>)
—	1015543	50' of 1/2" Xtreme-Duty Power Cable with Male and Female 2-Prong Twist Lock Plugs
—	1015543	25' of 1/2" Xtreme-Duty Power Cable with Male and Female 2-Prong Twist Lock Plugs
—	1015541	Battery Clamps with 2-Prong Twist Lock Plug

PART NUMBERS AND SCHEMATICS

Figure 4: Marco® 2.0 Cu. Ft. Abrasive Blasting Pot — 12-Volt DC Electric



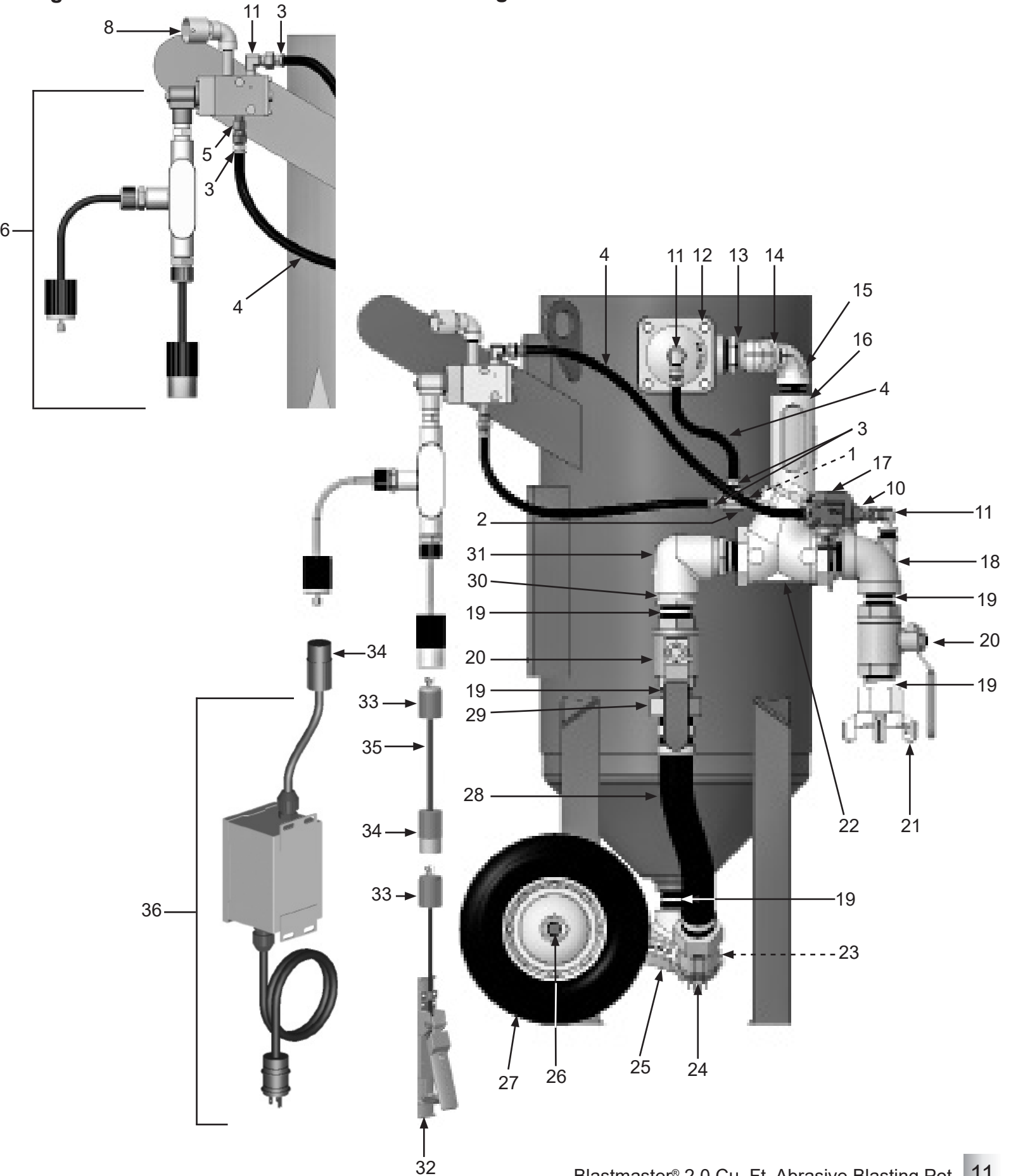
PART NUMBERS AND SCHEMATICS

Marco® 2.0 Cu. Ft. Abrasive Blasting Pot — 120-Volt AC Electric

Item #	Part #	Description
Fig. 5		
1	10PVFIT1	1/4" x 1/8" Hex Nipple
2	1011844	1/4" Galvanized Pipe Tee
3	10PAF025	1/4" x 1/4" (M) Push-On Fitting
4	10AH025	1/4" I.D. Air Hose (<i>Per Foot</i>)
5	10SME025	1/4" NPT x 1/4" (F) Straight Swivel
6	1019002	12-Volt AC 190 Electric Control Assembly (<i>See Fig. 13</i>)
7	1014239	1/8" x 1/8" x 90° Fitting
8	10DE025	Dust Eliminator
9	1011824	1/4" x 90° Galvanized Street Elbow
10	1017019	1/4" x 1/4" Hex Nipple
11	1012326	1/4" x 1/4" 90° Swivel
12	1012150	Marco® 1" Diaphragm Outlet Valve (<i>See Fig. 10</i>)
13	1012157	1-1/4" x 1" Bushing
14	1011838	1" x 45° Street Elbow
15	1011801	1" Street Elbow
16	1011100	Muffler Assembly (<i>See Fig. 8</i>)
17	10WS	1/4" NPT Inline Strainer
18	1011827	1-1/4" x 1-1/4" 90° Elbow with 1/2" Side-Out
19	1011201	1-1/4" Galvanized Close Nipple (<i>Four Required</i>)
20	1011602	1-1/4" Full Port Ball Valve (<i>Two Required</i>)
21	10ME3	1-1/4" 4-Lug Coupling
22	1013100	Marco® 1-1/4" GateKeeper Air Valve (<i>See Fig. 9</i>)
23	10SB2S	1-1/2" Straight Thread Pot Coupling
24	1011830	1-1/4" x 45° Street Elbow
25	1014101	Marco® 1-1/4" Bantam Abrasive Metering Valve (<i>See Fig. 6</i>)
26	10101811	E-Clip for Axle (<i>Two Required</i>)
27	1006067	10" Wheel (<i>Two Required</i>)
28	1006311	1-1/4" Pusher Line Assembly (<i>See Fig. 7</i>)
29	10SFE3	1-1/4" (F) Swivel End (<i>Two Required</i>)
30	1011501	1-1/2" (M) x 1-1/4" (F) Galvanized Bushing
31	1011804	1-1/2" 90° Elbow with Side-Out
32	1015100	Marco® 151E Remote Control Switch (<i>not shown</i>)
33	1015551	2-Prong Twist-Lock Plug - Male
34	1015552	2-Prong Twist-Lock Plug - Female
35	1015542	50' of 1/2" Xtreme-Duty Power Cable with Male and Female 2-Prong Twist Lock Plugs
36	1030020	Marco 120-Volt AC to 12-Volt AC Power Converter (<i>See Fig. 16</i>)

PART NUMBERS AND SCHEMATICS

Figure 5: Marco® 2.0 Cu. Ft. Abrasive Blasting Pot — 120-Volt AC Electric



PART NUMBERS AND SCHEMATICS

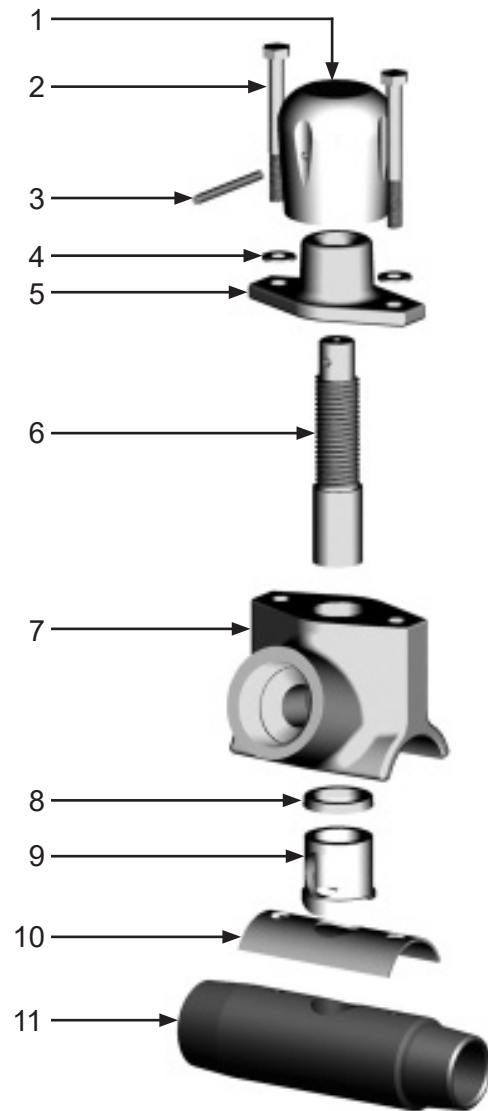
Marco® Bantam Abrasive Metering Valve

Item # Part #

Fig. 6		
—	1014101	1-1/4" Marco® Bantam Abrasive Metering Valve – Complete
1	1014110	Metering Knob
2	1014112	5/16-18 x 3-1/4" Hex Bolt (<i>Two Required</i>)
3	1014111	Knob Pin
4	10L805003	5/16" Washer (<i>Two Required</i>)
5	1014113	Cap
6	1014114	Plunger
7	1014115	Valve Body
8	1014219	Plunger Seal
9	1014117	Urethane Sleeve
10	1014118	Gasket
11	1014120	1-1/4" Male x 1-1/2" Male Nipple
—	1014123	Repair Kit <i>(Includes Item #'s: 2,6,8,9, and 10)</i>
—	1014116	Soft Seal Kit <i>(Includes Item #'s: 8, 9, and 10)</i>
—	10SB2S	1-1/2" NPS Brass Tank Coupling
—	106M022	Part Numbers and Schematics Guide – Marco® Bantam Abrasive Metering Valve
—	1090022	Operator's Manual – Marco® Bantam Abrasive Metering Valve
—	1091045	Warning Tag

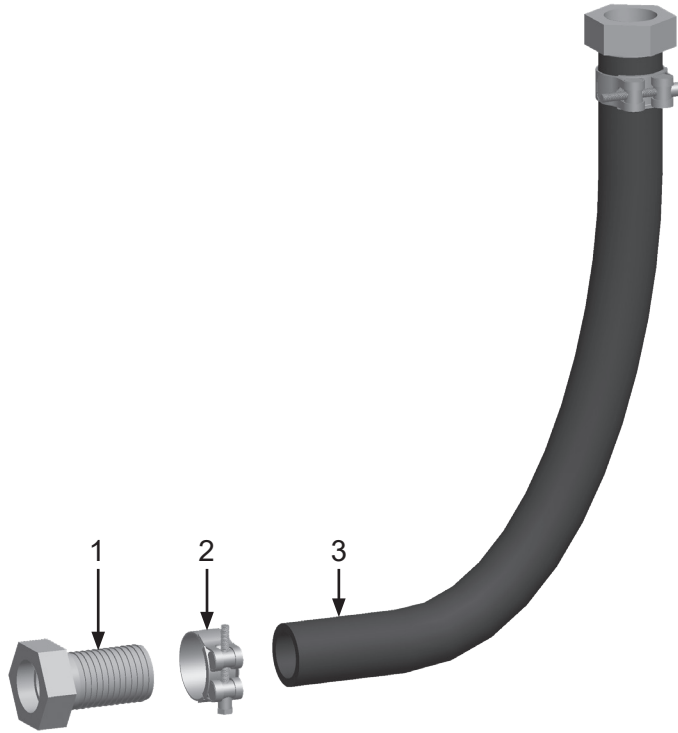
PART NUMBERS AND SCHEMATICS

Figure 6: Marco® Bantam Abrasive Metering Valve



PART NUMBERS AND SCHEMATICS

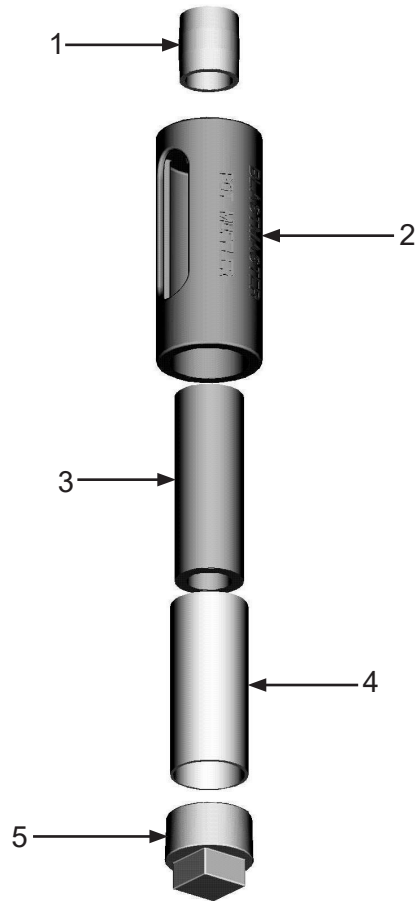
Figure 7: Pusher Line Assembly



Item #	Part #	Description
Fig. 7		
—	1006311	1-1/4" I.D. Pusher Line Assembly <i>Includes Item #: 1, 2, and 3 (Quantity of Three Feet)</i>
1	10SFE3	1-1/4" Female Swivel Air Hose End <i>(Two Required)</i>
2	10103737	1-1/4" T-Bolt Hose Clamp <i>(Two Required)</i>
3	10AH114B	1-1/4" I.D. Air Hose
—	10SFE3G	Gasket for 10SFE3 Swivel Air Hose End <i>(Not Shown)</i>
—	1090059	Technical Data Sheet – Pusher Line Assemblies

PART NUMBERS AND SCHEMATICS

Figure 8: Exhaust Muffler Assembly



Item #	Part #	Description
Fig. 8		
—	1011100	Marco® Abrasive Blasting Pot Muffler – Complete
1	1012151	1" Close Nipple
2	1011102	Body
3	1011103	Filter Element
4	1011104	Screen
5	1011101	1-1/2" Pipe Plug
—	1011105	Marco® Abrasive Blasting Pot Muffler Service Kit <i>Includes Item #'s: 3 (Quantity of Three), 4, and 5</i>
—	106M347	Part Numbers And Schematics Guide – Marco® Abrasive Blasting Pot Mufflers

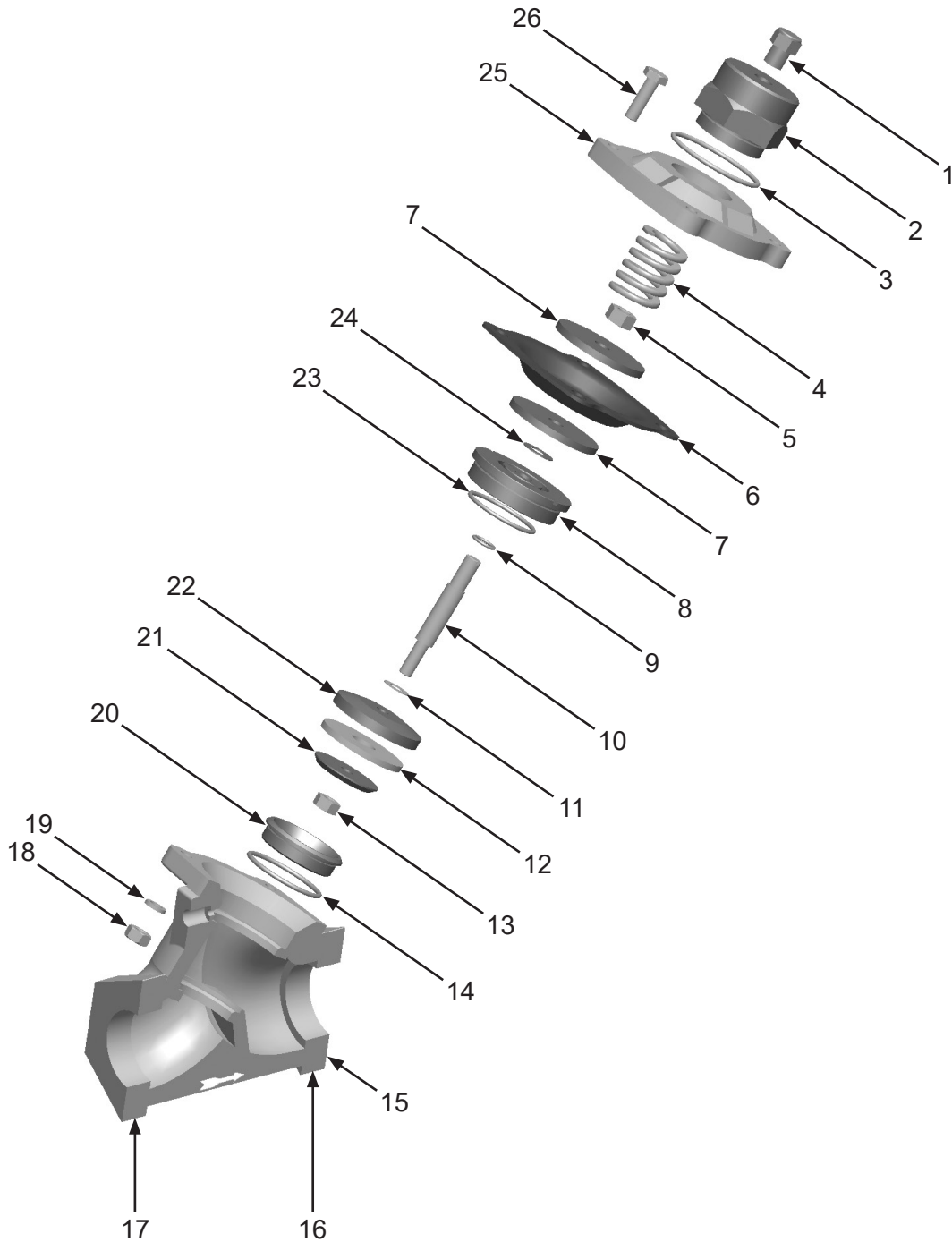
PART NUMBERS AND SCHEMATICS

Marco® 1-1/4" GateKeeper Air Valve

Item #	Part #	Description
Fig. 9		
—	1013100	Marco® 1-1/4" GateKeeper Air Valve – Complete
1	1012905	1/8" Breather Muffler
2	1013122	Spring Retainer
3	1013121	Spring Retainer O-ring
4	1013123	Spring
5	1013113	5/16–24 Hex Nut
6	1013103	Diaphragm
7	1013115	Diaphragm Plate <i>(Two Required)</i>
8	1013105	Retainer Bushing
9	1013106	Retainer Bushing O-ring
10	1013118	Shaft
11	1013119	Shaft Gasket
12	1013120	Disc
13	1013111	Lock Nut
14	1013108	Seat O-ring
15	1013117	Body – 1-1/4" GateKeeper Air Valve
16	1091050	Sticker – AIR INLET
17	1091051	Sticker – AIR OUTLET
18	1013116	Hex Nut <i>(Four Required)</i>
19	1012153	Lock Washer <i>(Four Required)</i>
20	1013109	Seat
21	1013110	Disc Plate
22	1013107	Disc Retainer
23	1013104	O-ring
24	1013102	Gasket
25	1013112	Cap
26	1013114	Bolt <i>(Four Required)</i>
—	1013101	GateKeeper Repair Kit <i>(Includes Item #'s: 5, 6, 11–14, 23, and 24)</i>
—	1013124	Seat Tool
—	1013125	Retainer Bushing Tool
—	1090011	Operator's Manual – KwikFire 130E Remote Control System

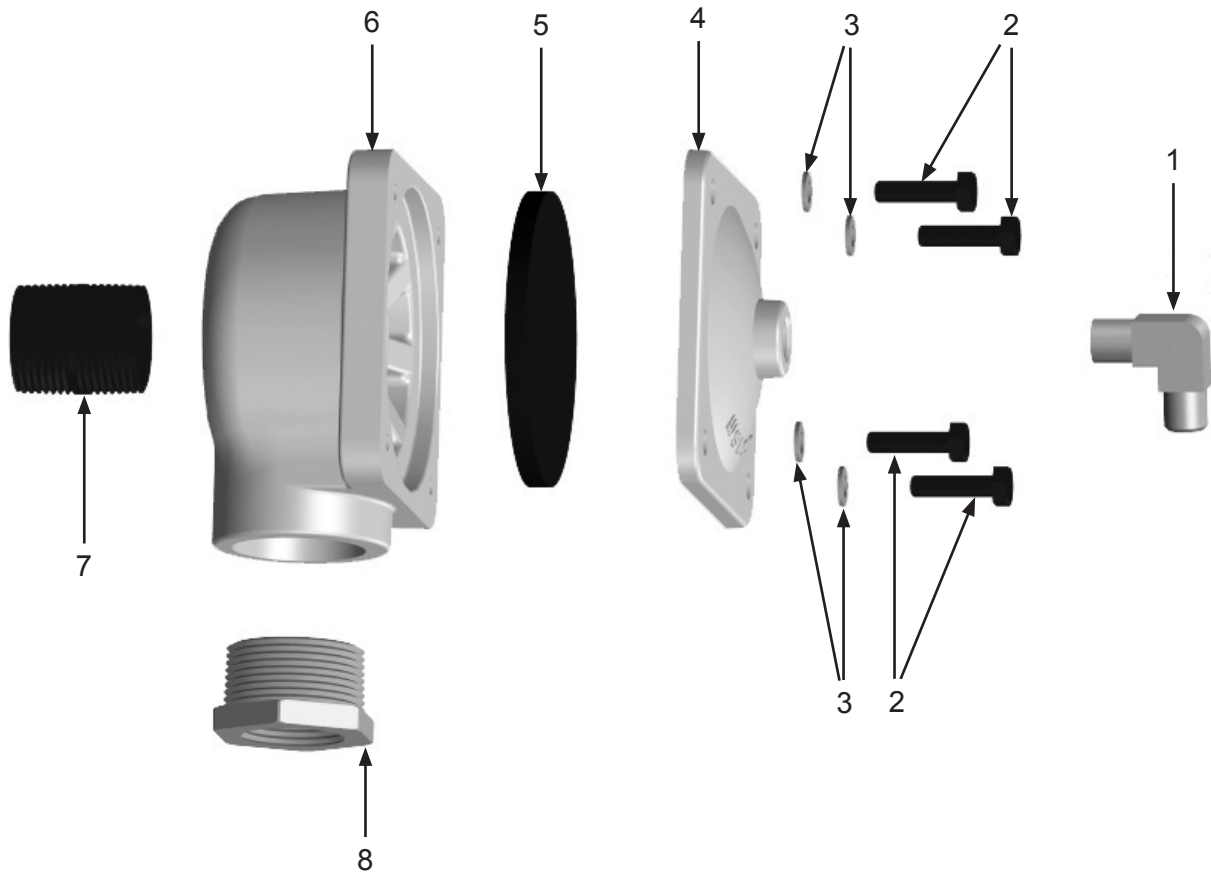
PART NUMBERS AND SCHEMATICS

Figure 9: Marco® 1-1/4" GateKeeper Air Valve



PART NUMBERS AND SCHEMATICS

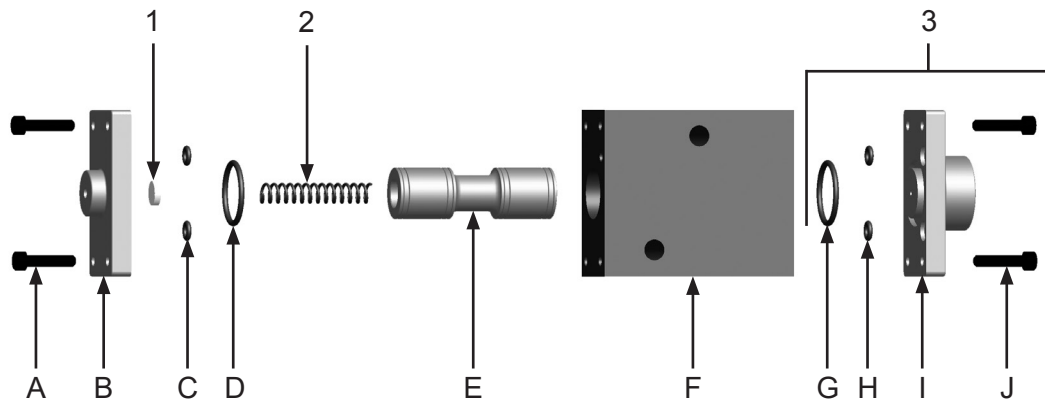
Figure 10: 1" Diaphragm Outlet Valve



Item #	Part #	Description
Fig. 10		
—	1012150	1" Diaphragm Outlet Valve Complete
1	1012051	Elbow 1/4" NPT x 7/16-20 Tap
2	1012154	1/4-20 x 1 Hex Bolt (<i>Four Required</i>)
3	1012153	1/4" Lock Washer (<i>Four Required</i>)
4	1012155	Cap Diaphragm Outlet Valve
5	1012152	Diaphragm Only
6	1012156	Body Diaphragm Outlet Valve
7	1012151	1" Galvanized Close Nipple
8	1012157	1-1/4" x 1" Bushing
—	1091045	Hazard Identification Tag
—	106M136	Part Numbers & Schematics Guide – Marco® 1" Diaphragm Outlet Valve
—	1090136	Operator's Manual – Marco® 1" Diaphragm Outlet Valve

PART NUMBERS AND SCHEMATICS

Figure 11: 190 Pneumatic Solenoid



Item #	Part #	Description
--------	--------	-------------

Fig. 4

—	1019000	190 Pneumatic Solenoid Normally-Closed — Complete
---	----------------	--

1	1019029	Felt Filter
---	---------	-------------

2	1019032	Spring
---	---------	--------

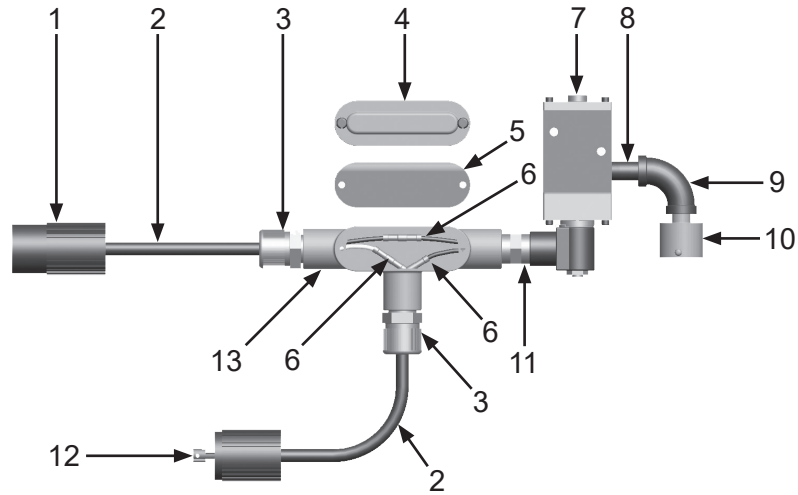
3	1019027	Pneumatic Solenoid Operator Assembly (Includes Items: G, H, I, and J)
---	---------	--

—	1019028	Pneumatic Solenoid Repair Kit (Includes Items: #1, #2, C, D, E, G, and H)
---	---------	--

* Items A–J are not available individually

PART NUMBERS AND SCHEMATICS

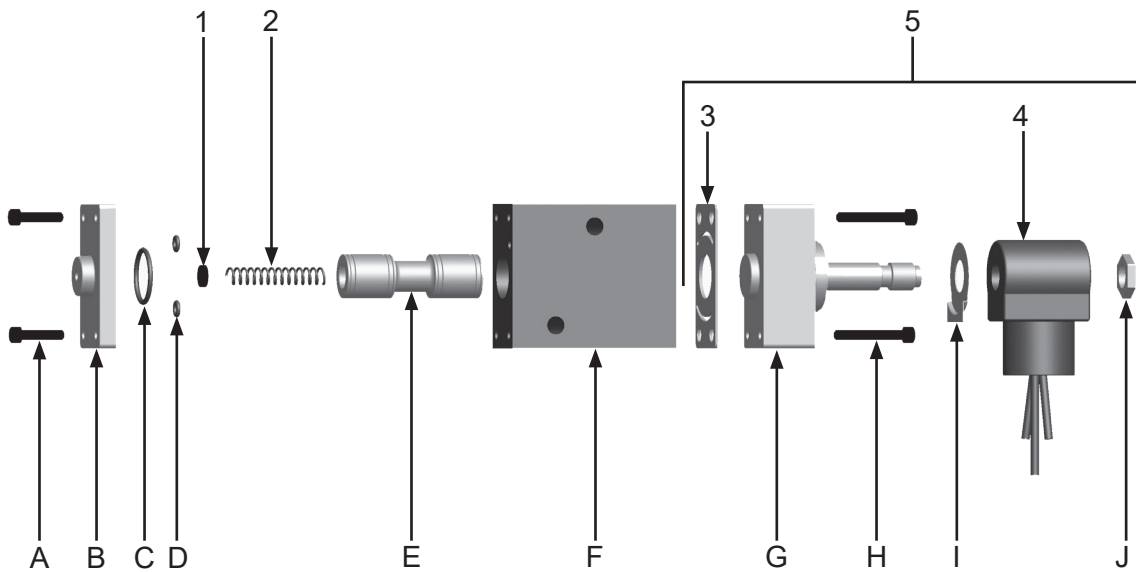
Figure 12: 12-Volt DC 190 Electric Control Assembly



Item #	Part #	Description
Fig. 12		
—	1019001	12-Volt DC 190 Electric Control Assembly – Complete
1	1015552	2-prong Twist-Lock Plug – Female
2	1015540	16/2 Electric Cord – per foot
3	1019021	Cord Grip (<i>Two Required</i>)
4	1019022	Conduit Box Cover
5	1019023	Conduit Box Cover Gasket
6	1030028	Butt Splicer
7	1019010	12-Volt DC Electric Solenoid – Complete (<i>see Figure 13</i>)
8	1011217	1/4" x 2" Pipe Nipple
9	1011832	1/4" NPT 90° Pipe Nipple
10	10DE025	Dust Eliminator
11	20100677	1/2" x 1/2" NPT Hex Nipple
12	1015551	2-prong Twist-Lock Plug – Male
13	1090020	1/2" Tee Conduit Box

PART NUMBERS AND SCHEMATICS

Figure 13: 12-Volt DC 190 Electric Solenoid

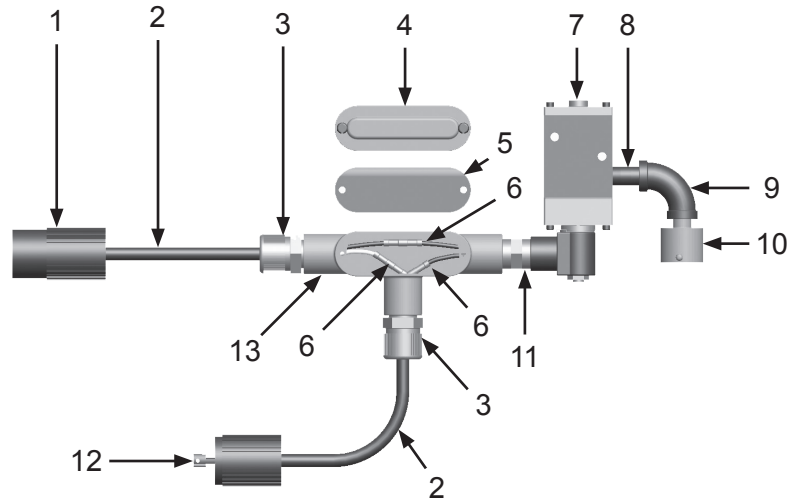


Item #	Part #	Description
Fig. 13		
—	1019010	12-Volt DC 190 Electric Solenoid – Complete
1	1019029	Felt Filter
2	1019032	Spring
3	1019033	Gasket
4	1019039	12-Volt DC Coil
5	1019034	12-Volt DC Operator Assembly (Includes Items: #3, #4, G, H, I, and J)
—	1019030	Electric Solenoid Repair Kit (Includes Items: #1, #2, #3, C, D, and E)

* Items A–J are not available individually

PART NUMBERS AND SCHEMATICS

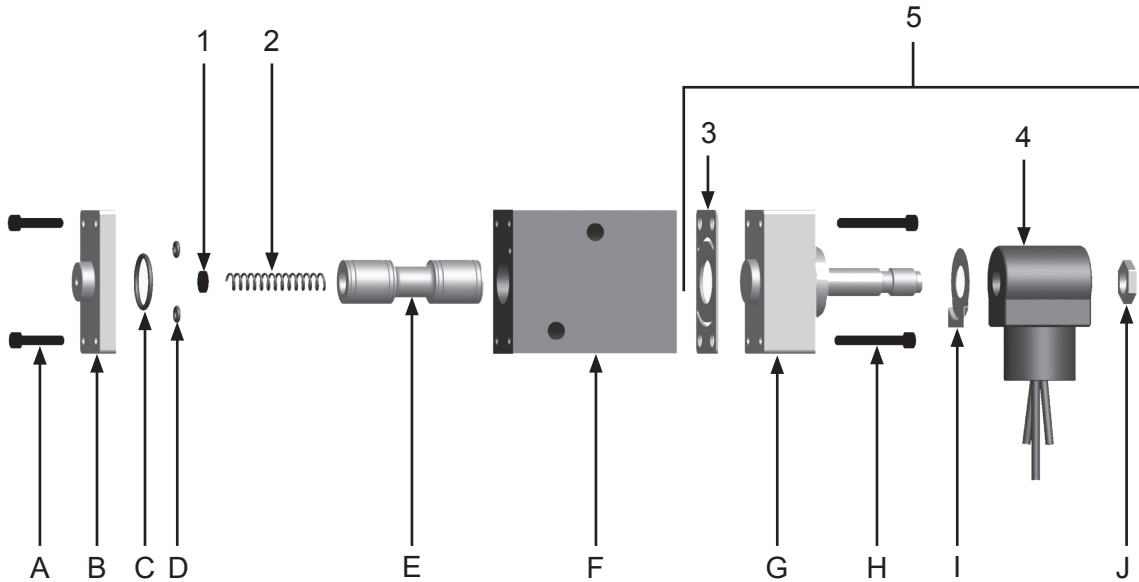
Figure 14: 12-Volt AC 190 Electric Control Assembly



Item #	Part #	Description
Fig. 14		
—	1019002	12-Volt AC 190 Electric Control Assembly – Complete
1	1015552	2-prong Twist-Lock Plug – Female
2	1015540	16/2 Power Cord – per foot
3	1019021	Cord Grip (<i>Two Required</i>)
4	1019022	Conduit Box Cover
5	1019023	Conduit Box Cover Gasket
6	1030028	Butt Splicer
7	1019011	12-Volt AC Electric Solenoid – Complete (<i>see Figure 15</i>)
8	1011217	1/4" x 2" Pipe Nipple
9	1011832	1/4" NPT 90° Pipe Nipple
10	10DE025	Dust Eliminator
11	20100677	1/2" x 1/2" NPT Hex Nipple
12	1015551	2-prong Twist-Lock Plug – Male
13	1090020	1/2" Tee Conduit Box

PART NUMBERS AND SCHEMATICS

Figure 15: 12-Volt AC 190 Electric Solenoid



Item #	Part #	Description
Fig. 15		
—	1019011	12-Volt AC 190 Electric Solenoid – Complete
1	1019029	Felt Filter
2	1019032	Spring
3	1019033	Gasket
4	1019040	12-Volt AC Coil
5	1019035	12-Volt AC Electric Operator Assembly (Includes Items: #3, #4, G, H, I, and J)
—	1019030	12-Volt AC Electric Solenoid Repair Kit (Includes Items: #1, #2, #3, C, D, and E)
* Items A–J are not available individually		

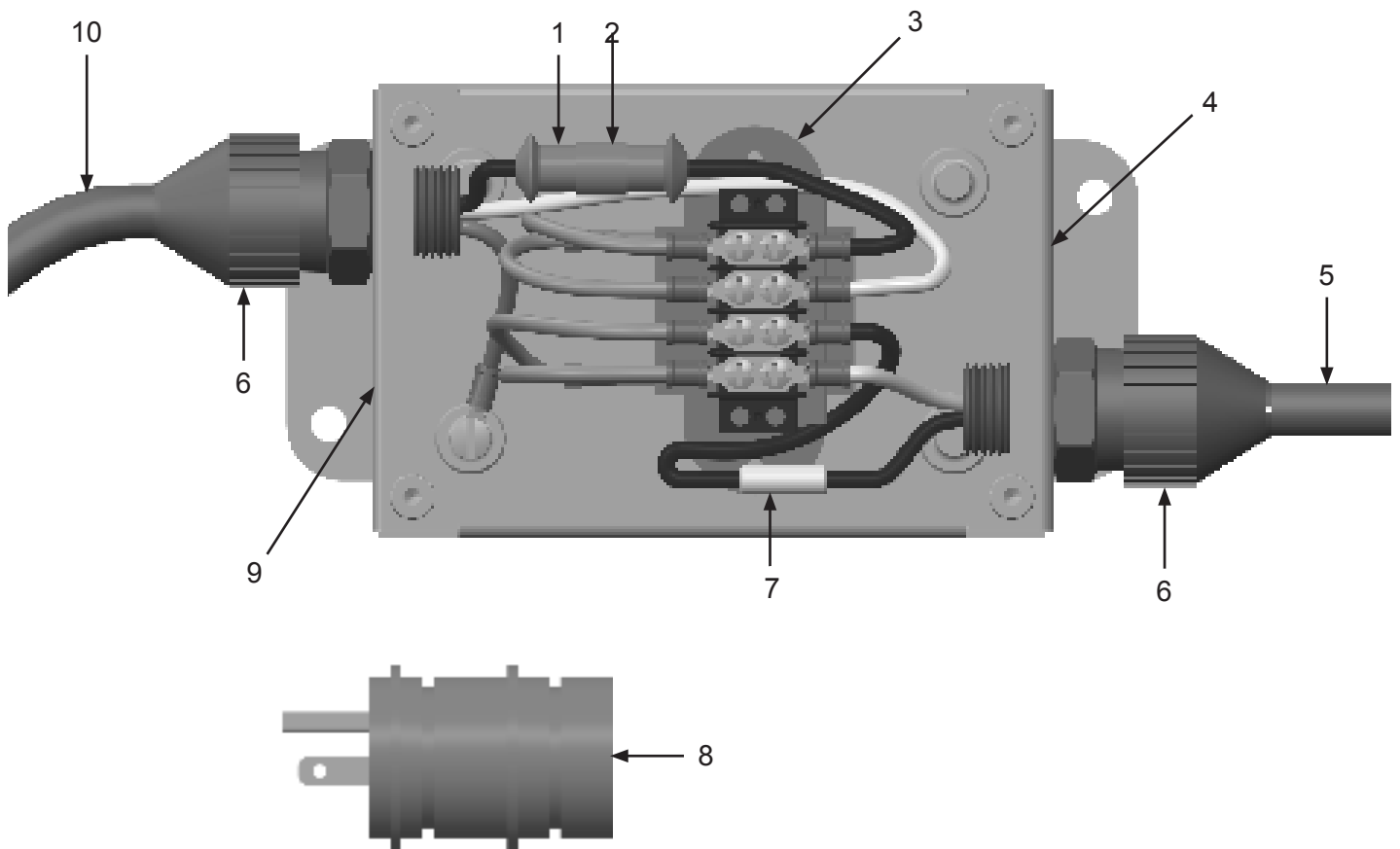
PART NUMBERS AND SCHEMATICS

Marco® 120-Volt AC to 12-Volt AC Power Converter

Item #	Part #	Description
Fig. 16		
—	1030020	Marco® 120-Volt AC to 12-Volt AC Power Converter with 3 feet of 14/2 Electric Cord and Plug – Complete
1	10105331	2 Amp Fuse
2	1030023	In-Line Fuse Holder
3	1030022	Transformer – Marco 120-Volt AC to 12-Volt AC Power Converter
4	1091067	Power-Out Decal (<i>Not Shown</i>)
5	1030013	14/2 SEOW Electric Cord (<i>Per Foot</i>)
6	1030025	Strain Relief (<i>Two Required</i>)
7	1030021	Resistor
8	1030026	3-prong, 120-Volt AC Plug – Male
9	1092014	Power-In Decal (<i>Not Shown</i>)
10	1015550	14/3 SEOW Electric Cord (<i>Per Foot</i>)
—	1091063	Hazard Identification Decal

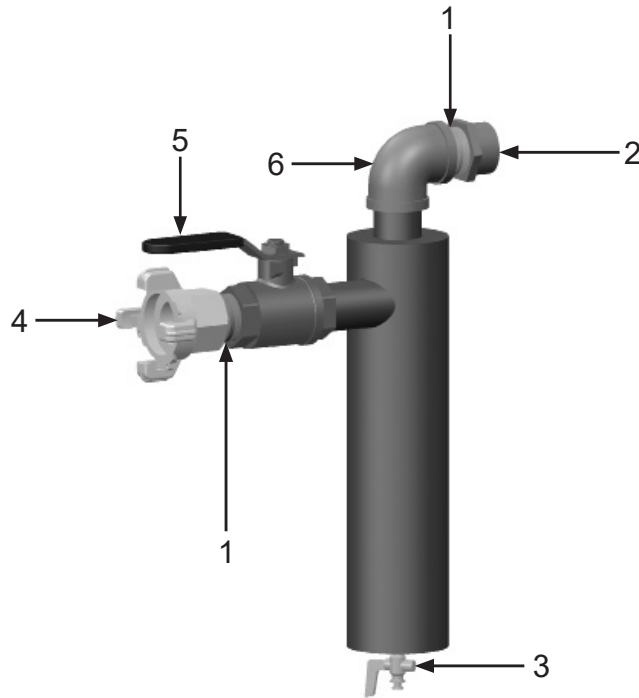
PART NUMBERS AND SCHEMATICS

Figure 16: Marco® 120-Volt AC to 12-Volt AC Power Converter



OPTIONAL ACCESSORIES

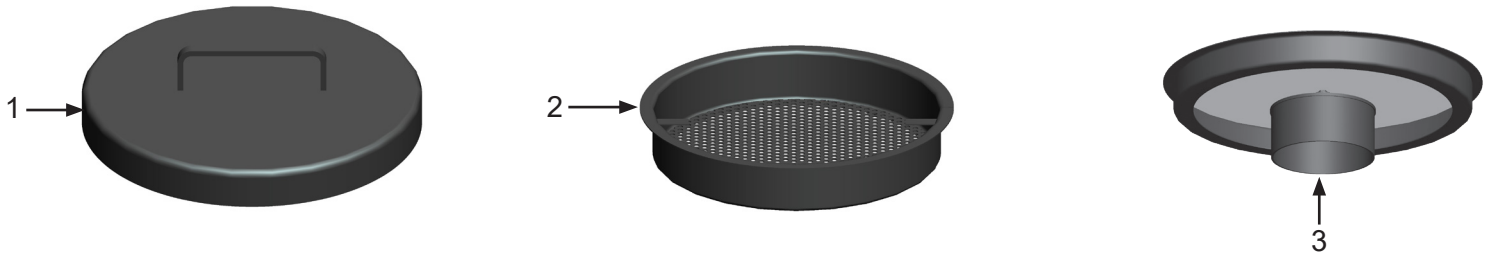
Figure 17: 1-1/4" Junior Extractor Abrasive Blasting Pot Moisture Separator



Item #	Part #	Description
Fig. 17		
—	10101314	1-1/4" Junior Extractor Abrasive Blasting Pot Moisture Separator
1	1011201	1-1/4" NPT Close Nipple (<i>Two Required</i>)
2	1011501	1-1/2" x 1-1/4" Bushing
3	1012101	1/4" NPT Brass Petcock
4	10ME3	4-lug Air Hose End - 1-1/4" NPT (F)
5	1011602	1-1/4" NPT Full Port Ball Valve
6	1006204	1-1/4" NPT 90° Elbow

OPTIONAL ACCESSORIES

Figure 18: Lid and Screen



Item #	Part #	Description
1	1002101	14" Lid
2	1002102	14" Screen
3	10100732	Abrasive Umbrella (<i>Screen Not Included</i>)



ALLREDI THERE

Serving these industries: Bridge, Pipeline, Tank & Tower, Concrete Services, Rail, Shipyard & Marine, Pools & Fountains and Foundry

UNITED STATES

Pasadena, TX (*Headquarters*)
844.361.7038

Beaumont, TX
409.722.1284

Bristol, PA
215.826.8080

Corpus Christi, TX
361.887.2038

Davenport, IA
563.324.2519

Deer Park, TX
(*Service & Rental Location*)
281.930.0905

Duluth, GA
800.535.4564

Gonzales, LA
225.647.7575

Harvey, LA
504.367.8090

Houma, LA
985.580.4273

Jacksonville, FL
904.262.2120

Lafayette, LA
337.267.1440

Theodore, AL
251.338.7525

Youngstown, OH
330.448.6267

CANADA

Calgary, Alberta
403.279.1924

Coquitlam, BC
604.464.6979

Edmonton, Alberta
780.468.2588 (Manus)
780.425.5510 (Mod-U-Blast)

Hamilton, Ontario
905.527.6000 / 888.794.5665

Mississauga, Ontario
905.890.5837

Winnipeg, Manitoba
204.256.3324

800-252-7848 / WWW.ALLREDI-US.COM

Allredi™ and Marco® are registered trademarks of Allredi, LLC.
All other brand names or marks are used for identification purposes and are trademarks of their respective owners.

ALLREDI™

Literature #106M153_4/26/2022