



BLASTMASTER® 130E REMOTE CONTROL SYSTEM CONVERSION KITS



BUILT MARCO TOUGH
MARCO MANUFACTURED

PART NUMBERS AND SCHEMATIC GUIDE

Company Profile

Since 1944, Marco has developed a strong tradition of providing innovative and reliable products and services to the surface preparation and protective coatings industries. We are the world's premier provider of Abrasives, Blasting, Coating, Dust Collectors, Engineered Systems, Rental, Safety, Service, Repair, & Modernization, and Vacuums.

Through innovative designs and a total commitment to quality, Marco manufactures products that increase production rates, create a safer workplace, and reduce maintenance costs. Marco's industry experience, manufacturing capabilities, legendary customer service, product availability, logistics services, and technology leadership is your assurance that we deliver high quality products and services, providing the best value to you, our customer.

The Marco Difference

- **Industry Experience** – With Marco on your team, you have access to expertise which can only come from decades of industry leadership. We have organized our engineering department, production specialists, customer operations, and safety support into a “Center of Competence.” As a Marco customer, you have access to hundreds of years of cumulative experience related to your operations.
- **Manufacturing Excellence** – Marco is a U.S. based, ISO 9001:2008 certified manufacturer of equipment for the Surface Preparation and Protective Coatings industries. Marco's engineers benchmark the industry to ensure that we design and manufacture superior products that set the “Gold Standard” for performance, safety, and quality.
- **Legendary Customer Service** – Marco's legendary customer service team is staffed by friendly, highly-trained individuals who are focused on providing the highest level of product support, order accuracy, and customer satisfaction.
- **Product Availability** – We stock over 10,000 SKU's and have more than 45 shipping locations to serve North American and International markets for all major brands of blasting and coating equipment. As the largest provider of surface preparation and protective coatings equipment in the world, our inventory levels and product availability are unmatched.
- **Logistics Services** – Marco's in-house logistics team is dedicated to moving your shipment anywhere in the world. We move more than 14,000 truckloads every year, allowing you to save on freight costs by leveraging our buying power. Lower your process costs with a single invoice, which includes product and freight.
- **Technology Leadership** – Our website provides: Operator's Manuals, Part Numbers and Schematics Guides, SDS information, and Features & Specifications Guides, providing access to information 24/7. Our Extranet application allows you to receive quotes and place orders online. Our Intranet maintains a complete record of your purchase history to assist with ongoing support of your existing equipment and future purchasing decisions.

Vision Statement

Marco is the world's premier provider of Abrasives, Blasting, Coating, Dust Collectors, Engineered Systems, Rental, Safety, Service, Repair, & Modernization, and Vacuums.

Mission Statement

Marco provides strong leadership and innovation to the surface preparation and protective coatings industries. We dedicate our efforts to the continuous improvement of our products, services, processes, people, and most importantly, the quality of our customer's experience.

Quality Statement

Marco is committed to providing superior quality in the design, manufacturing, distribution, rental, service, and repair of our products. Our ISO 9001:2008 certification extends throughout all operations in all locations. Continuous improvement of our processes and supply chain Integration comprise the core of our business strategy for delivering exceptional quality and value in all Marco products and services.

Management Philosophy

We are a company dedicated to the success of every customer and associate. We discuss, debate, challenge, measure, and test our ideas. We will be boundless and limitless in our passion to improve. Through sound leadership and dedicated associates, we will ensure a long term, profitable future for Marco, our associates, customers, and suppliers.

TABLE OF CONTENTS

Company Profile	2	Optional Accessories	52-56
Table of Contents	3	Power Converters	52-53
Complete Remote Control System		Battery Clamps	54
Conversion Kits	4-39	Electric Cord	55
3.0 and 3.5 Cu. Ft. Abrasive Blasting Pots		Electric Control Line and Plugs	56
Part Numbers – 12-Volt DC	4-5	Literature References	57
Single Outlet	6-7	Maintenance Notes	58-59
Part Numbers – 120-Volt AC	8-9		
Single Outlet	10-11		
6.0 and 6.5 Cu. Ft. Abrasive Blasting Pots			
Part Numbers – 12-Volt DC	12-13		
Single Outlet	14-15		
Part Numbers – 120-Volt AC	16-17		
Single Outlet	18-19		
120 Cu. Ft. and Larger Abrasive Blasting Pots			
Part Numbers – 12-Volt DC	20-21		
One Outlet	22-23		
Two Outlet	24-25		
Three Outlet	26-27		
Four Outlet	28-29		
Part Numbers – 120-Volt AC	30-31		
One Outlet	32-33		
Two Outlet	34-35		
Three Outlet	36-37		
Four Outlet	38-39		
Pneumatic-to-Electric			
Conversion Kits	40-51		
120 Cu. Ft. and Larger Abrasive Blasting Pots			
Part Numbers – 12-Volt DC	40-41		
One Outlet	42-43		
Two Outlet	44-45		
Three Outlet	44-45		
Four Outlet	44-45		
120 Cu. Ft. and Larger Abrasive Blasting Pots			
Part Numbers – 120-Volt AC	46-47		
One Outlet	48-49		
Two Outlet	50-51		
Three Outlet	50-51		
Four Outlet	50-51		

PART NUMBERS AND SCHEMATICS GUIDE

12-VOLT DC ELECTRIC CONVERSION KITS – 3.0 AND 3.5 CU. FT. ABRASIVE BLASTING POT

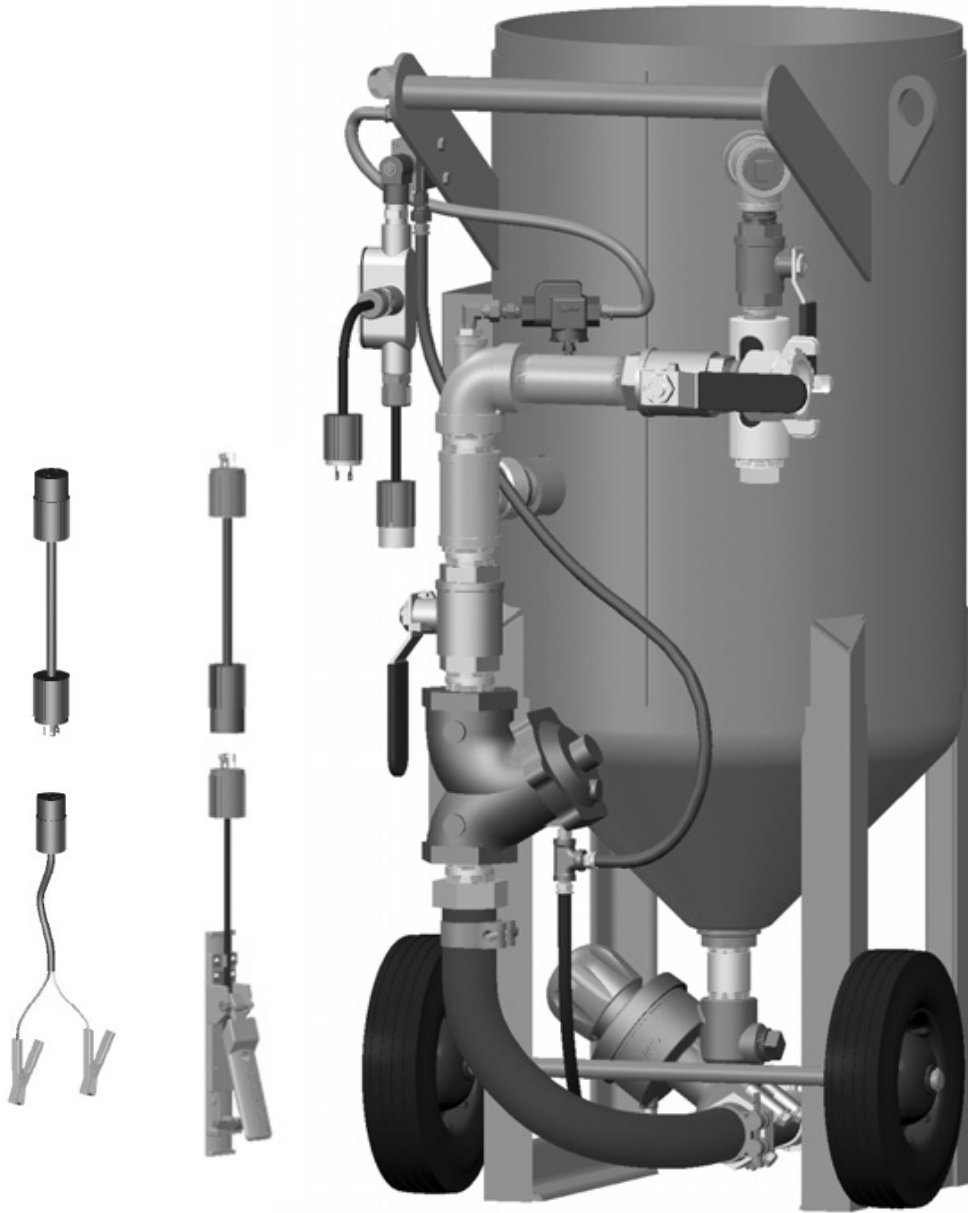
Part Numbers	Blastmaster® 1-1/2" Maxum III Abrasive Metering Valve		GateKeeper Air Valve	Abrasive Blasting Pot Muffler	Blastmaster® 151E Remote Control Switch	Electric Control Line <i>(Includes Connectors)</i>	Battery Clamps	Power Cord <i>(Includes Connectors)</i>
	Urethane	Tungsten Carbide						
10104973	X		1-1/2"	X	X	50 Ft.	X	25 Ft.
10104974		X	1-1/2"	X	X	50 Ft.	X	25 Ft.

For converting bare pot to electric remote control system.

Includes: Blastmaster® Maxum III Abrasive Metering Valve, 1-1/2" GateKeeper, Blastmaster® 151E Remote Control Switch, Electric Control Line, and various pipe fittings

Note that due to the wide variety of blast pots you may need to purchase additional fittings, bushing, etc.

PART NUMBERS AND SCHEMATICS GUIDE



PART NUMBERS AND SCHEMATICS GUIDE

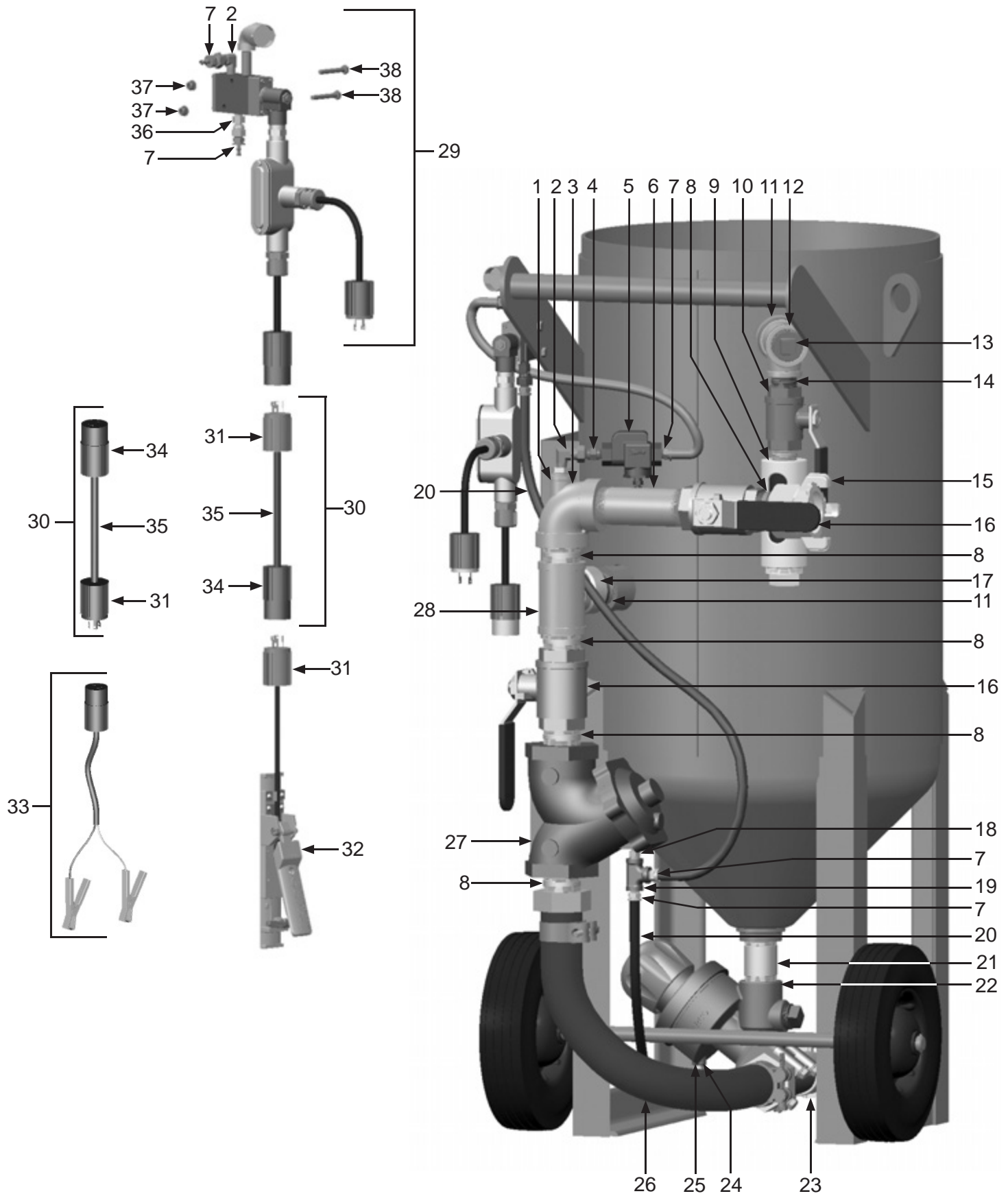
Complete 12-Volt DC Electric Conversion Kits – 3.0 and 3.5 Cu. Ft. Abrasive Blasting Pot

Item #	Part #	Description
Fig. 1		
—	10104973	12-Volt DC Electric Conversion Kit – 3.0 and 3.5 Cu. Ft. (Urethane)
—	10104974	12-Volt DC Electric Conversion Kit – 3.0 and 3.5 Cu. Ft. (Tungsten Carbide)
1	1011818	1/2" x 1/4" Bushing
2	1012326	1/4" Swivel 90° Fitting (<i>Two Required</i>)
3	1011828	1-1/2" NPT Elbow with 1/2" Side-Out
4	1017019	1/4" x 1/4" Brass Hex Nipple
5	10WS	Watts Strainer
6	1011211	1-1/2" x 5-1/2" NPT Pipe Nipple
7	10PAF025	1/4" Push-On Hose Fitting (<i>Five Required</i>)
8	1014015	1-1/2" NPT Close Nipple (<i>Five Required</i>)
9	1011100	Exhaust Muffler
10	1011601	1" NPT Full Port Brass Ball Valve
11	1011201	1-1/4" NPT Close Nipple (<i>Two Required</i>)
12	1011817	1-1/4" x 1-1/4" x 1" NPT Pipe Tee
13	1011902	1-1/4" NPT Pipe Plug
14	1012151	1" NPT Close Nipple
15	10ME4	1-1/2" NPT (F) 4-Lug Air Hose Fitting
16	1011603	1-1/2" NPT Full Port Brass Ball Valve (<i>Two Required</i>)
17	1011830	1-1/4" 45° Street Elbow
18	10PVFIT1	1/4" x 1/8" Hex Union
19	1011844	1/4" NPT Pipe Tee
20	10AH025	1/4" Push-On Air Hose – Per Foot
21	1011204	1-1/4" x 3" NPT Pipe Nipple
22	10101950	1-1/2" Maxum III Abrasive Metering Valve – Tungsten Carbide Sleeve (<i>For use with 10104974</i>)
—	10101946	1-1/2" Maxum III Abrasive Metering Valve – Urethane Sleeve (<i>For use with 10104973</i>)
23	10SB2S	1-1/2" Straight Thread Pot Coupling
24	10PAF0125	1/8" Push-On Air Hose Fitting
25	1014239	1/8" 90° Swivel Fitting
26	1006312	1-1/2" I.D. Air Hose Pusher Line Assembly
27	1013200	1-1/2" GateKeeper Air Valve
28	1011836	1-1/2" x 1-1/2" x 1-1/4" NPT Pipe Tee
29	1019051	Blastmaster® 190 12-Volt DC Electric Control Assembly – Complete
30	1015545	50' of 16/2 SO Power Cord with 3-Prong Twist-Lock Plugs Installed (<i>Includes Item #'s: 31, 34, and 35</i>)
31	1015555	3-Prong Twist-Lock Plug – Male (<i>Three Required</i>)
32	1015100	Blastmaster® 151E Remote Control Switch
33	1015544	Battery Clamp Kit with 3-Prong Twist Lock Plug Installed
34	1015556	3-Prong Twist-Lock Plug – Female (<i>Two Required</i>)
35	1015540	16/2 SO Power Cord – Per Foot
36	10SME025	1/4" Straight Swivel
37	1012323	1/4–20 Zinc Lock Nut with Nylon Insert (<i>Two Required</i>)
38	1019044	1/4–20 x 1-3/4" Zinc Bolt (<i>Two Required</i>)

See page 57 for product literature

PART NUMBERS AND SCHEMATICS GUIDE

Figure 1: Complete 12-Volt DC Electric Conversion Kits – 3.0 and 3.5 Cu. Ft. Abrasive Blasting Pot



PART NUMBERS AND SCHEMATICS GUIDE

120-VOLT AC ELECTRIC CONVERSION KITS – 3.0 AND 3.5 CU. FT. ABRASIVE BLASTING POT

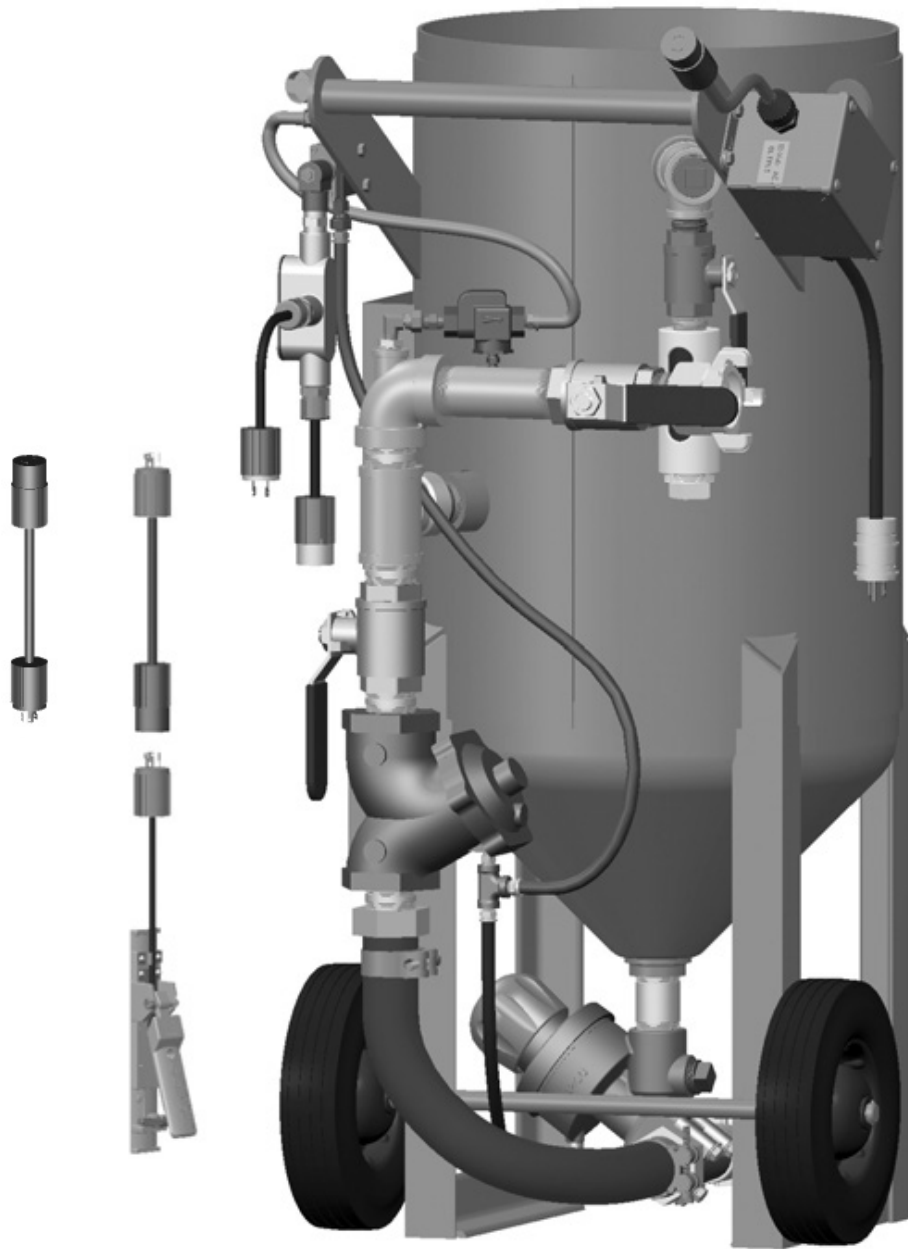
Part Numbers	Blastmaster® 1-1/2" Maxum III Abrasive Metering Valve		GateKeeper Air Valve	Abrasive Blasting Pot Muffler	Blastmaster® 151E Remote Control Switch	120-Volt AC to 12-Volt AC Power Converter	Electric Control Line <i>(Includes Connectors)</i>	Power Cord <i>(Includes Connectors)</i>
	Urethane	Tungsten Carbide						
10105503	X		1-1/2"	X	X	X	50 Ft.	25 Ft.
10105504		X	1-1/2"	X	X	X	50 Ft.	25 Ft.

For converting bare pot to electric remote control system.

Includes: Blastmaster® Maxum III Abrasive Metering Valve, 1-1/2" GateKeeper, Blastmaster® 151E Remote Control Switch, Electric Control Line, and various pipe fittings

Note that due to the wide variety of blast pots you may need to purchase additional fittings, bushing, etc.

PART NUMBERS AND SCHEMATICS GUIDE



PART NUMBERS AND SCHEMATICS GUIDE

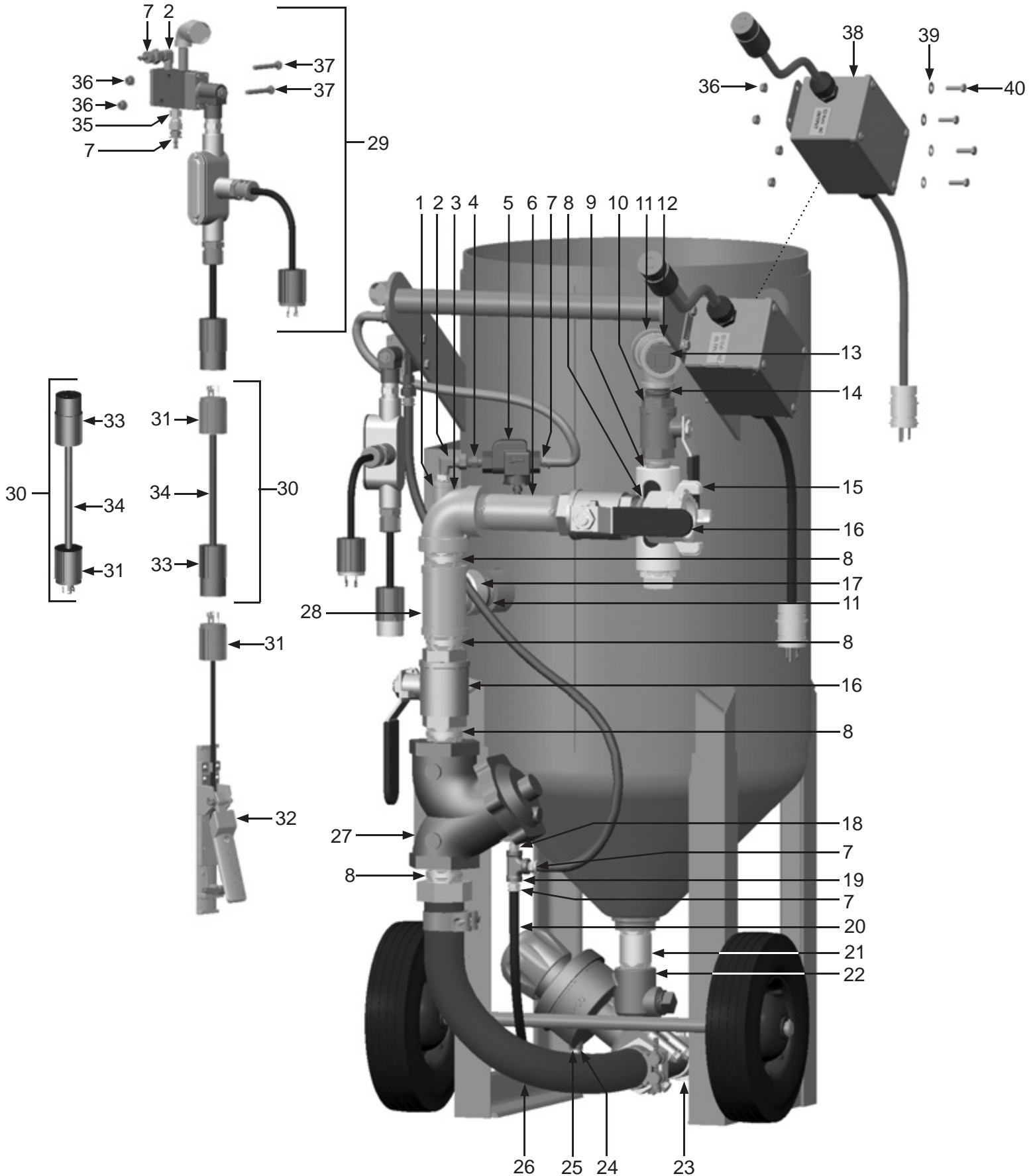
Complete 120-Volt AC Electric Conversion Kits – 3.0 and 3.5 Cu. Ft. Abrasive Blasting Pot

Item #	Part #	Description
Fig. 2		
—	10105503	120-Volt AC Electric Conversion Kit – 3.0 and 3.5 Cu. Ft. (Urethane)
—	10105504	120-Volt AC Electric Conversion Kit – 3.0 and 3.5 Cu. Ft. (Tungsten Carbide)
1	1011818	1/2" x 1/4" Bushing
2	1012326	1/4" Swivel 90° Fitting (<i>Two Required</i>)
3	1011828	1-1/2" NPT Elbow with 1/2" Side-Out
4	1017019	1/4" x 1/4" Brass Hex Nipple
5	10WS	Watts Strainer
6	1011211	1-1/2" x 5-1/2" NPT Pipe Nipple
7	10PAF025	1/4" Push-On Hose Fitting (<i>Five Required</i>)
8	1014015	1-1/2" NPT Close Nipple (<i>Five Required</i>)
9	1011100	Exhaust Muffler
10	1011601	1" NPT Full Port Brass Ball Valve
11	1011201	1-1/4" NPT Close Nipple (<i>Two Required</i>)
12	1011817	1-1/4" x 1-1/4" x 1" NPT Pipe Tee
13	1011902	1-1/4" NPT Pipe Plug
14	1012151	1" NPT Close Nipple
15	10ME4	1-1/2" NPT (F) 4-Lug Air Hose Fitting
16	1011603	1-1/2" NPT Full Port Brass Ball Valve (<i>Two Required</i>)
17	1011830	1-1/4" 45° Street Elbow
18	10PVFIT1	1/4" x 1/8" Hex Union
19	1011844	1/4" NPT Pipe Tee
20	10AH025	1/4" Push-On Air Hose
21	1011204	1-1/4" x 3" NPT Pipe Nipple
22	10101950	1-1/2" Maxum III Abrasive Metering Valve – Tungsten Carbide Sleeve (<i>For use with 10105504</i>)
—	10101946	1-1/2" Maxum III Abrasive Metering Valve – Urethane Sleeve (<i>For use with 10105503</i>)
23	10SB2S	1-1/2" Straight Thread Pot Coupling
24	10PAF0125	1/8" Push-On Air Hose Fitting
25	1014239	1/8" 90° Swivel Fitting
26	1006312	1-1/2" I.D. Air Hose Pusher Line Assembly
27	1013200	1-1/2" GateKeeper Air Valve
28	1011836	1-1/2" x 1-1/2" x 1-1/4" NPT Pipe Tee
29	1019052	Blastmaster® 190 12-Volt AC Electric Control Assembly – Complete
30	1015545	50' of 16/2 SO Power Cord with 3-Prong Twist-Lock Plugs Installed (<i>Includes Item #'s: 31, 33, and 34</i>) (<i>Two Required</i>)
31	1015555	3-Prong Twist-Lock Plug – Male (<i>Three Required</i>)
32	1015100	Blastmaster® 151E Remote Control Switch
33	1015556	3-Prong Twist-Lock Plug – Female (<i>Two Required</i>)
34	1015540	16/2 SO Power Cord – Per Foot
35	10SME025	1/4" Straight Swivel
36	1012323	1/4–20 Zinc Lock Nut with Nylon Insert (<i>Six Required</i>)
37	1019044	1/4–20 x 1-3/4" Zinc Bolt (<i>Two Required</i>)
38	1030020	120-Volt AC to 12-Volt AC Power Converter
39	1014017	1/4" Flat Washer (<i>Four Required</i>)
40	1012154	1/4–20 x 1" Hex Bolt (<i>Four Required</i>)

See page 57 for product literature

PART NUMBERS AND SCHEMATICS GUIDE

Figure 2: Complete 120-Volt AC Electric Conversion Kits – 3.0 and 3.5 Cu. Ft. Abrasive Blasting Pot



PART NUMBERS AND SCHEMATICS GUIDE

12-VOLT DC ELECTRIC CONVERSION KITS – 6.0 AND 6.5 CU. FT. ABRASIVE BLASTING POT

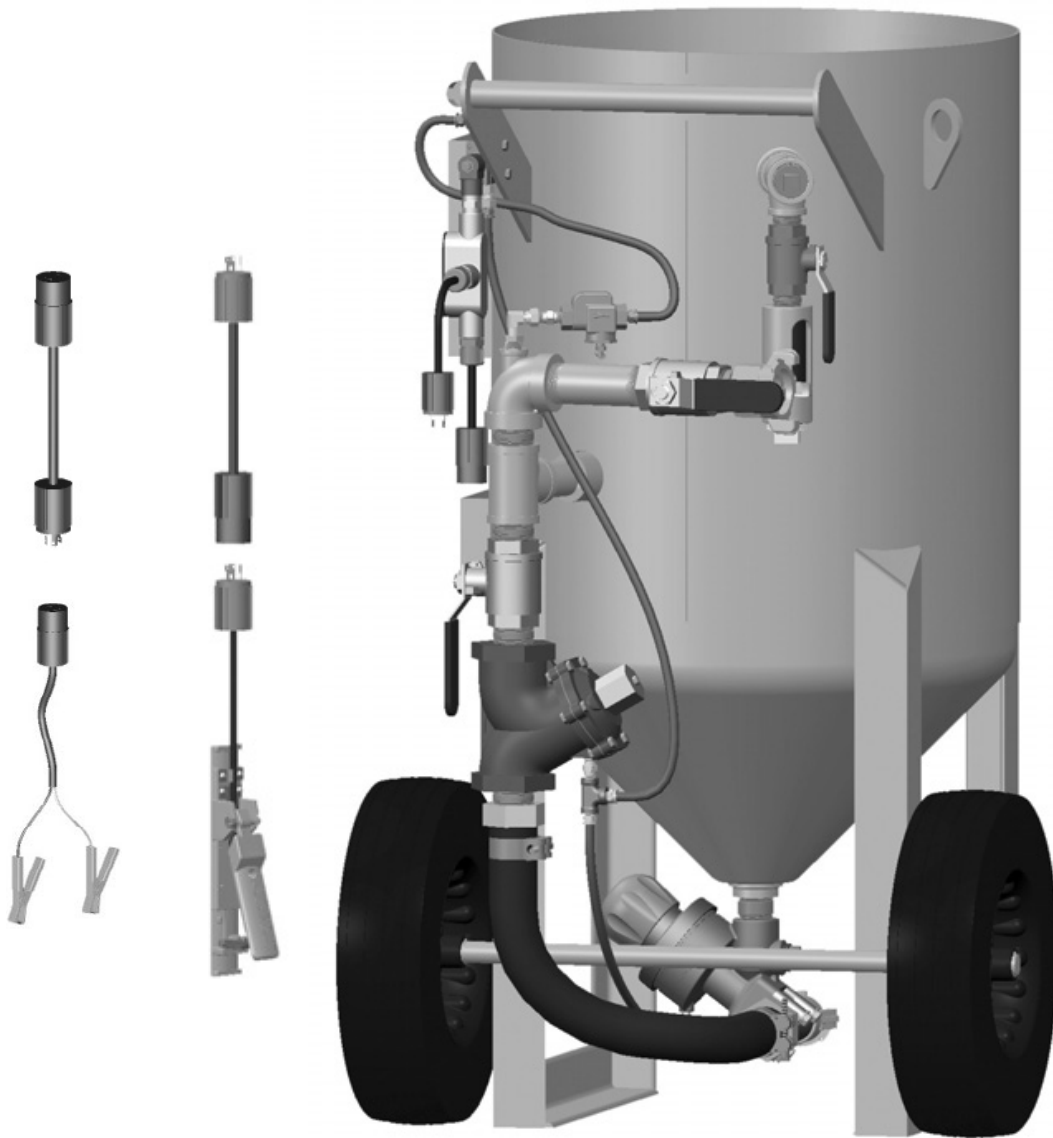
Part Numbers	Blastmaster® 1-1/2" Maxum III Abrasive Metering Valve		GateKeeper Air Valve	Abrasive Blasting Pot Muffler	Blastmaster® 151E Remote Control Switch	Electric Control Line (Includes Connectors)	Battery Clamps	Power Cord (Includes Connectors)
	Urethane	Tungsten Carbide						
10105928	X		1-1/2" High-Flow	X	X	50 Ft.	X	25 Ft.
10104975		X	1-1/2" High-Flow	X	X	50 Ft.	X	25 Ft.

For converting bare pot to electric remote control system.

Includes: Blastmaster® Maxum III Abrasive Metering Valve, 1-1/2" High-Flow GateKeeper, Blastmaster® 151E Remote Control Switch, Electric Control Line, and various pipe fittings

Note that due to the wide variety of blast pots you may need to purchase additional fittings, bushing, etc.

PART NUMBERS AND SCHEMATICS GUIDE



PART NUMBERS AND SCHEMATICS GUIDE

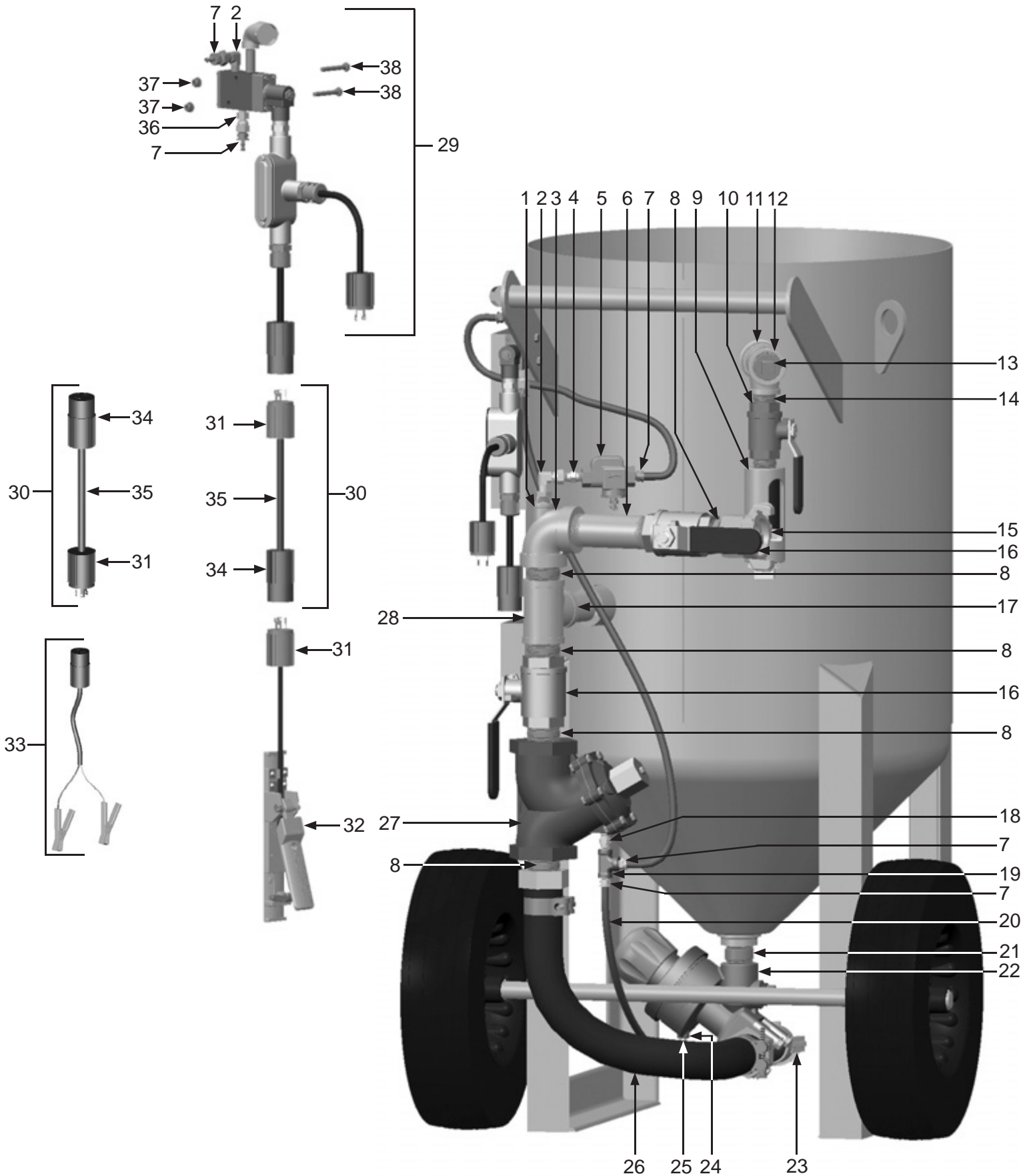
Complete 12-Volt DC Electric Conversion Kits – 6.0 and 6.5 Cu. Ft. Abrasive Blasting Pot

Item #	Part #	Description
Fig. 3		
—	10105928	12-Volt DC Electric Conversion Kit – 6.0 and 6.5 Cu. Ft. (Urethane)
—	10104975	12-Volt DC Electric Conversion Kit – 6.0 and 6.5 Cu. Ft. (Tungsten Carbide)
1	1011818	1/2" x 1/4" Bushing
2	1012326	1/4" Swivel 90° Fitting (<i>Two Required</i>)
3	1011828	1-1/2" NPT Elbow with 1/2" Side-Out
4	1017019	1/4" x 1/4" Brass Hex Nipple
5	10WS	Watts Strainer
6	1011211	1-1/2" x 5-1/2" NPT Pipe Nipple
7	10PAF025	1/4" Push-On Hose Fitting (<i>Five Required</i>)
8	1014015	1-1/2" NPT Close Nipple (<i>Five Required</i>)
9	1011100	Exhaust Muffler
10	1011601	1" NPT Full Port Brass Ball Valve
11	1011201	1-1/4" NPT Close Nipple
12	1011817	1-1/4" x 1-1/4" x 1" NPT Pipe Tee
13	1011902	1-1/4" NPT Pipe Plug
14	1012151	1" NPT Close Nipple
15	10ME4	1-1/2" NPT (F) 4-Lug Air Hose Fitting
16	1011603	1-1/2" NPT Full Port Brass Ball Valve (<i>Two Required</i>)
17	1011204	1-1/4" x 3" Galvanized Nipple
18	1017019	1/4" x 1/4" Brass Hex Nipple, 250 psi
19	1011844	1/4" NPT Pipe Tee
20	10AH025	1/4" Push-On Air Hose – Per Foot
21	1011813	1-1/4" x 2" Pipe Nipple
22	10101950	1-1/2" Maxum III Abrasive Metering Valve – Tungsten Carbide Sleeve (<i>For use with 10104975</i>)
—	10101946	1-1/2" Maxum III Abrasive Metering Valve – Urethane Sleeve (<i>For use with 10105928</i>)
23	10SB2S	1-1/2" Straight Thread Pot Coupling
24	10PAF0125	1/8" Push-On Air Hose Fitting
25	1014239	1/8" 90° Swivel Fitting
26	1006312	1-1/2" I.D. Air Hose Pusher Line Assembly
27	1013600	1-1/2" High-Flow GateKeeper Air Valve
28	1011836	1-1/2" x 1-1/2" x 1-1/4" NPT Pipe Tee
29	1019051	Blastmaster® 190 12-Volt DC Electric Control Assembly – Complete
30	1015545	50' of 16/2 SO Power Cord with 3-Prong Twist-Lock Plugs Installed (<i>Includes Item #'s: 31, 34, and 35</i>) (<i>Two Required</i>)
31	1015555	3-Prong Twist-Lock Plug – Male (<i>Three Required</i>)
32	1015100	Blastmaster® 151E Remote Control Switch
33	1015544	Battery Clamp Kit with 3-Prong Twist Lock Plug Installed
34	1015556	3-Prong Twist-Lock Plug – Female (<i>Two Required</i>)
35	1015540	16/2 SO Power Cord – Per Foot
36	10SME025	1/4" Straight Swivel
37	1012323	1/4–20 Zinc Lock Nut with Nylon Insert (<i>Two Required</i>)
38	1019044	1/4–20 x 1-3/4" Zinc Bolt (<i>Two Required</i>)

See page 57 for product literature

PART NUMBERS AND SCHEMATICS GUIDE

Figure 3: Complete 12-Volt DC Electric Conversion Kits – 6.0 and 6.5 Cu. Ft. Abrasive Blasting Pot



PART NUMBERS AND SCHEMATICS GUIDE

120-VOLT AC ELECTRIC CONVERSION KITS – 6.0 AND 6.5 CU. FT. ABRASIVE BLASTING POT

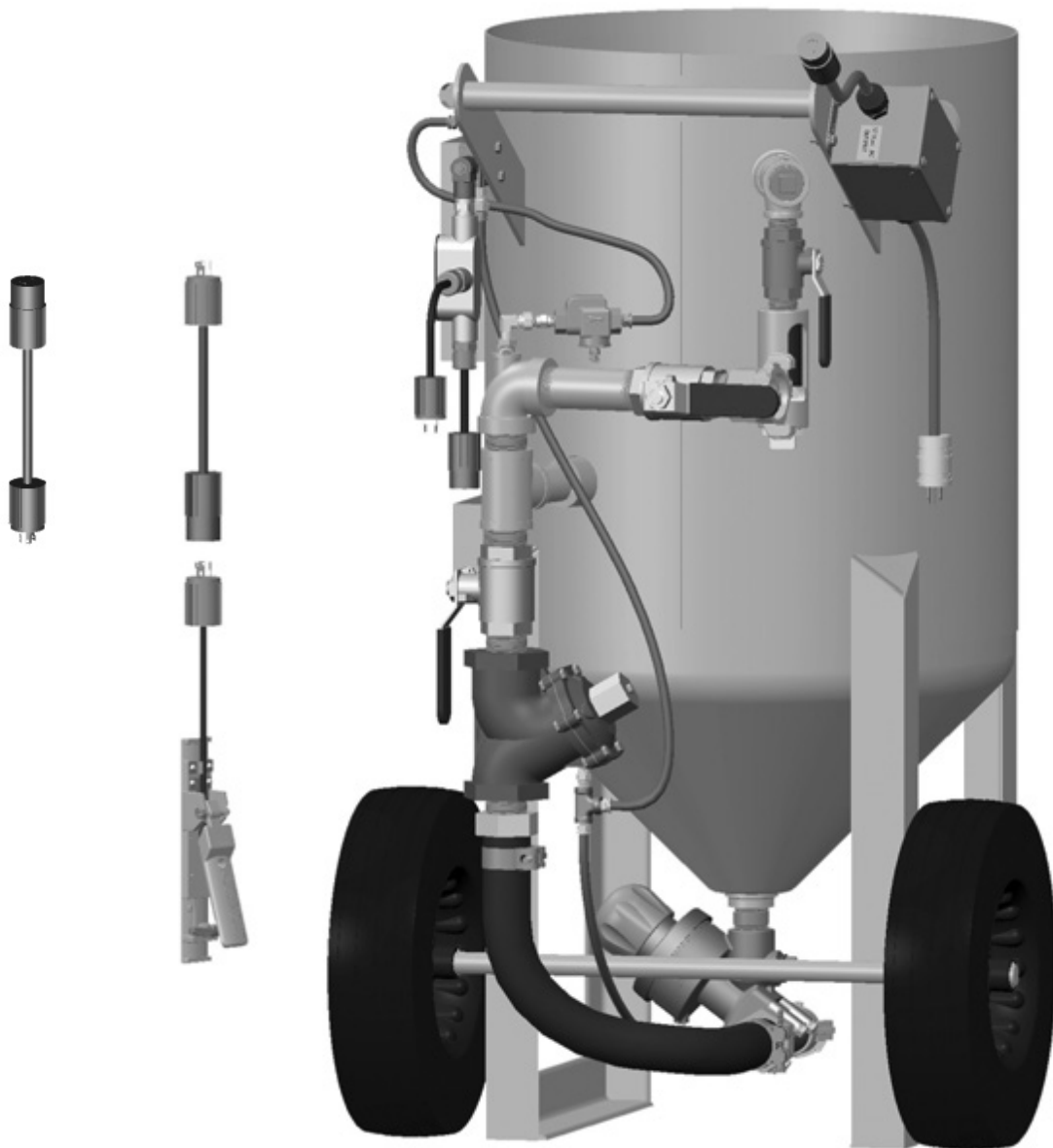
Part Numbers	Blastmaster® 1-1/2" Maxum III Abrasive Metering Valve		GateKeeper Air Valve	Abrasive Blasting Pot Muffler	Blastmaster® 151E Remote Control Switch	120-Volt AC to 12-Volt AC Power Converter	Electric Control Line <i>(Includes Connectors)</i>	Power Cord <i>(Includes Connectors)</i>
	Urethane	Tungsten Carbide						
10105929	X		1-1/2" High-Flow	X	X	X	50 Ft.	25 Ft.
10105505		X	1-1/2" High-Flow	X	X	X	50 Ft.	25 Ft.

For converting bare pot to electric remote control system.

Includes: Blastmaster® Maxum III Abrasive Metering Valve, 1-1/2" High-Flow GateKeeper, Blastmaster® 151E Remote Control Switch, Electric Control Line, and various pipe fittings

Note that due to the wide variety of blast pots you may need to purchase additional fittings, bushing, etc.

PART NUMBERS AND SCHEMATICS GUIDE



PART NUMBERS AND SCHEMATICS GUIDE

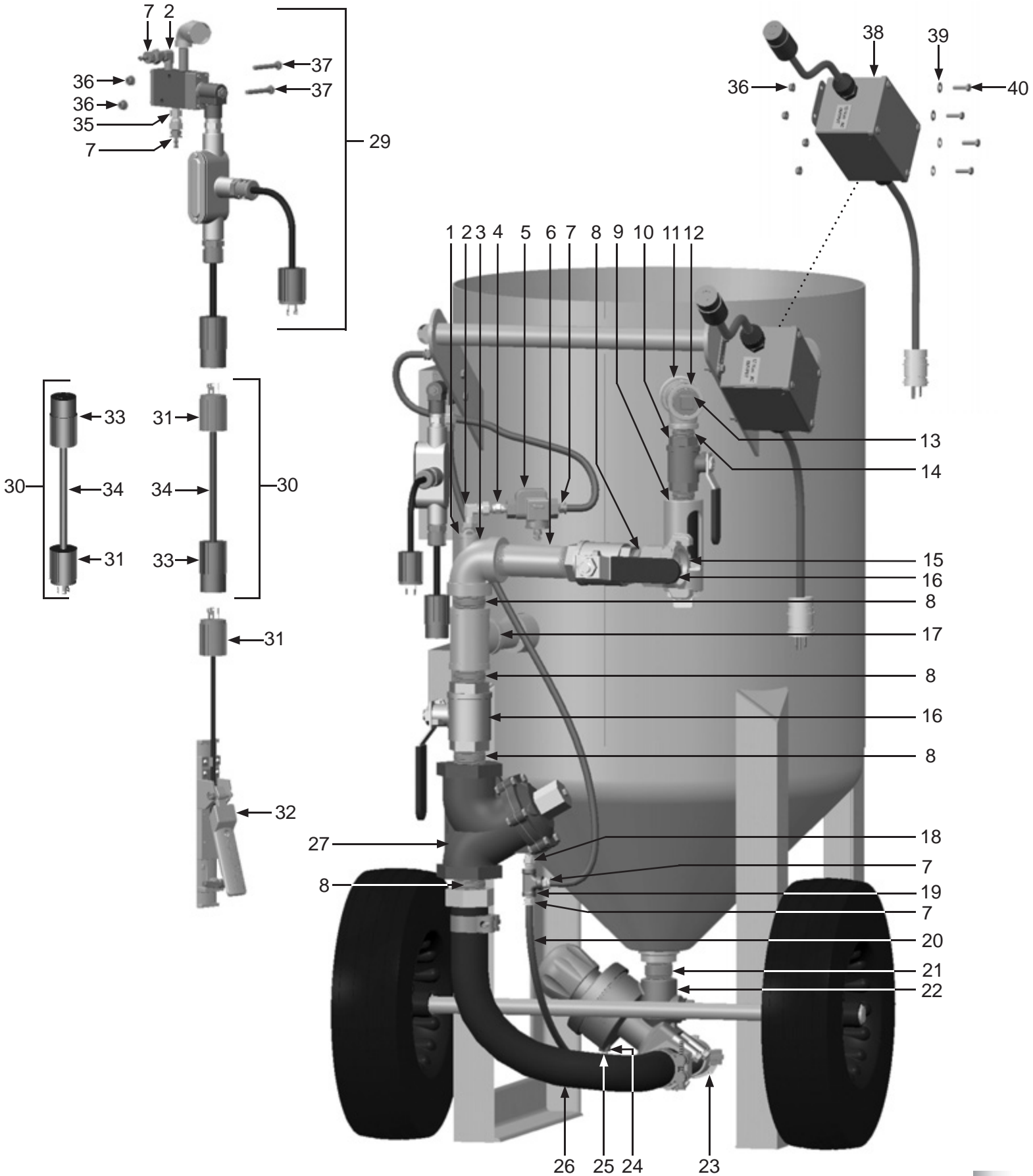
Complete 120-Volt AC Electric Conversion Kits – 6.0 and 6.5 Cu. Ft. Abrasive Blasting Pot

Item #	Part #	Description
Fig. 4		
—	10105929	120-Volt AC Electric Conversion Kit – 6.0 and 6.5 Cu. Ft. (Urethane)
—	10105505	120-Volt AC Electric Conversion Kit – 6.0 and 6.5 Cu. Ft. (Tungsten Carbide)
1	1011818	1/2" x 1/4" Bushing
2	1012326	1/4" Swivel 90° Fitting (<i>Two Required</i>)
3	1011828	1-1/2" NPT Elbow with 1/2" Side-Out
4	1017019	1/4" x 1/4" Brass Hex Nipple
5	10WS	Watts Strainer
6	1011211	1-1/2" x 5-1/2" NPT Pipe Nipple
7	10PAF025	1/4" Push-On Hose Fitting (<i>Five Required</i>)
8	1014015	1-1/2" NPT Close Nipple (<i>Five Required</i>)
9	1011100	Exhaust Muffler
10	1011601	1" NPT Full Port Brass Ball Valve
11	1011201	1-1/4" NPT Close Nipple
12	1011817	1-1/4" x 1-1/4" x 1" NPT Pipe Tee
13	1011902	1-1/4" NPT Pipe Plug
14	1012151	1" NPT Close Nipple
15	10ME4	1-1/2" NPT (F) 4-Lug Air Hose Fitting
16	1011603	1-1/2" NPT Full Port Brass Ball Valve (<i>Two Required</i>)
17	1011204	1-1/4" x 3" Galvanized Nipple
18	1017019	1/4" x 1/4" Brass Hex Nipple, 250 psi
19	1011844	1/4" NPT Pipe Tee
20	10AH025	1/4" Push-On Air Hose – Per Foot
21	1011813	1-1/4" x 2" Pipe Nipple
22	10101950	1-1/2" Maxum III Abrasive Metering Valve – Tungsten Carbide Sleeve (<i>For use with 10105505</i>)
—	10101946	1-1/2" Maxum III Abrasive Metering Valve – Urethane Sleeve (<i>For use with 10105929</i>)
23	10SB2S	1-1/2" Straight Thread Pot Coupling
24	10PAF0125	1/8" Push-On Air Hose Fitting
25	1014239	1/8" 90° Swivel Fitting
26	1006312	1-1/2" I.D. Air Hose Pusher Line Assembly
27	1013600	1-1/2" High-Flow GateKeeper Air Valve
28	1011836	1-1/2" x 1-1/2" x 1-1/4" NPT Pipe Tee
29	1019052	Blastmaster® 190 12-Volt AC Electric Control Assembly – Complete
30	1015545	50' of 16/2 SO Power Cord with 3-Prong Twist-Lock Plugs Installed (<i>Includes Item #'s: 31, 33, and 34</i>) (<i>Two Required</i>)
31	1015555	3-Prong Twist-Lock Plug – Male (<i>Three Required</i>)
32	1015100	Blastmaster® 151E Remote Control Switch
33	1015556	3-Prong Twist-Lock Plug – Female (<i>Two Required</i>)
34	1015540	16/2 SO Power Cord – Per Foot
35	10SME025	1/4" Straight Swivel
36	1012323	1/4–20 Zinc Lock Nut with Nylon Insert (<i>Six Required</i>)
37	1019044	1/4–20 x 1-3/4" Zinc Bolt (<i>Two Required</i>)
38	1030020	120-Volt AC to 12-Volt AC Power Converter
39	1014017	1/4" Flat Washer (<i>Four Required</i>)
40	1012154	1/4–20 x 1" Hex Bolt (<i>Four Required</i>)

See page 57 for product literature

PART NUMBERS AND SCHEMATICS GUIDE

Figure 4: Complete 120-Volt AC Electric Conversion Kits – 6.0 and 6.5 Cu. Ft. Abrasive Blasting Pot



PART NUMBERS AND SCHEMATICS GUIDE

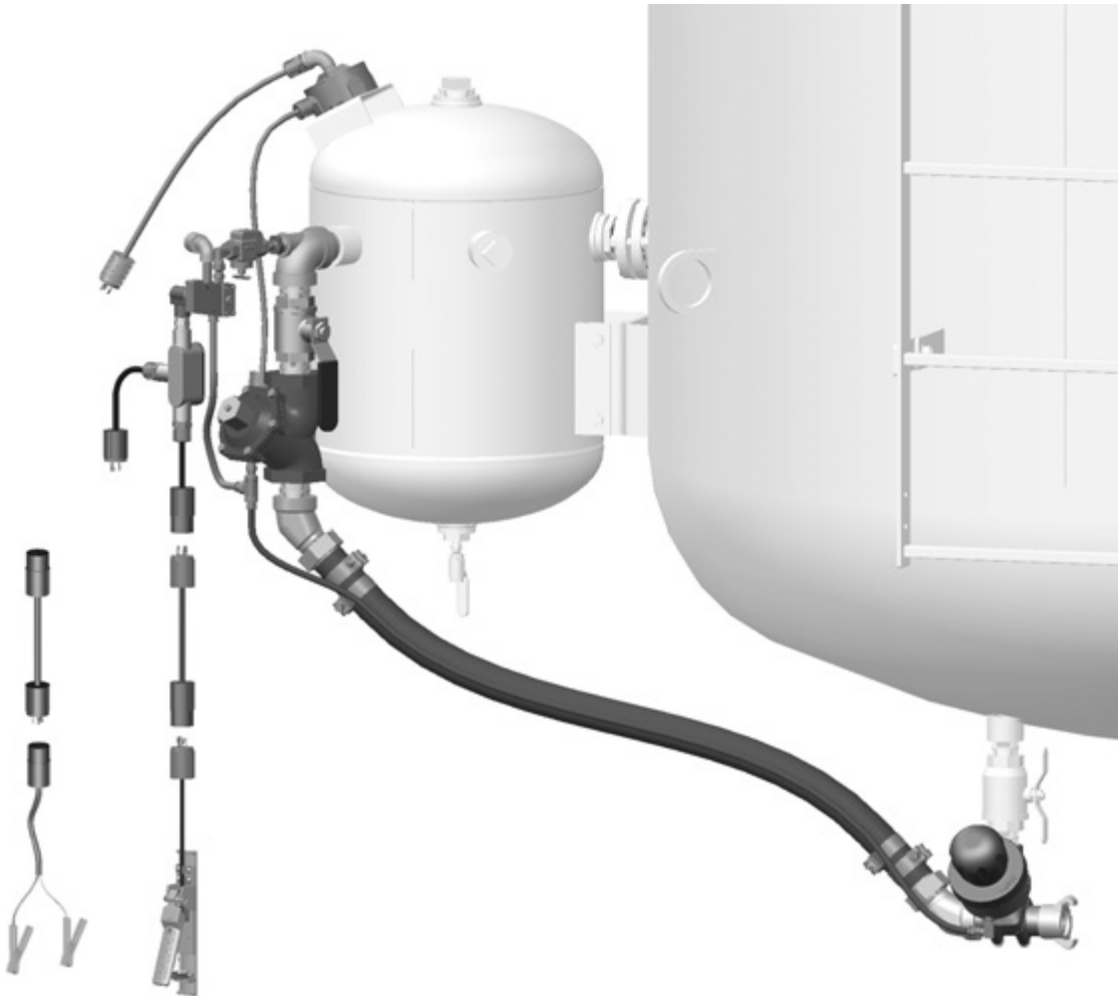
12-VOLT DC ELECTRIC CONVERSION KITS – 120 CU. FT. AND LARGER ABRASIVE BLASTING POT												
Part Numbers	Number of Outlets				Blastmaster® 1-1/2" Maxum III Abrasive Metering Valve		GateKeeper Air Valve	Blastmaster® 151E Remote Control Switch	Electric Control Line (Includes Connectors)	Junction Box	Battery Clamps	Power Cord (Includes Connectors)
	1	2	3	4	Urethane	Tungsten Carbide						
10106190	X				X		1-1/2" High-Flow	X	50 Ft.		X	25 Ft.
10106191	X					X	1-1/2" High-Flow	X	50 Ft.		X	25 Ft.
10105064		X			X		1-1/2" High-Flow	X	50 Ft.	X	X	25 Ft.
10104993		X				X	1-1/2" High-Flow	X	50 Ft.	X	X	25 Ft.
10105065			X		X		1-1/2" High-Flow	X	50 Ft.	X	X	25 Ft.
10104994			X			X	1-1/2" High-Flow	X	50 Ft.	X	X	25 Ft.
10105066				X	X		1-1/2" High-Flow	X	50 Ft.	X	X	25 Ft.
10104995				X		X	1-1/2" High-Flow	X	50 Ft.	X	X	25 Ft.

For converting bare pot to electric remote control system.

Includes: Blastmaster® Maxum III Abrasive Metering Valve, Blastmaster® 130E Remote Control System with 1-1/2" High-Flow GateKeeper, Pusher Line, Junction Box, Blastmaster® 190 Remote Control Valve

Note that due to the wide variety of blast pots you may need to purchase additional fittings, bushing, etc.

PART NUMBERS AND SCHEMATICS GUIDE



PART NUMBERS AND SCHEMATICS GUIDE

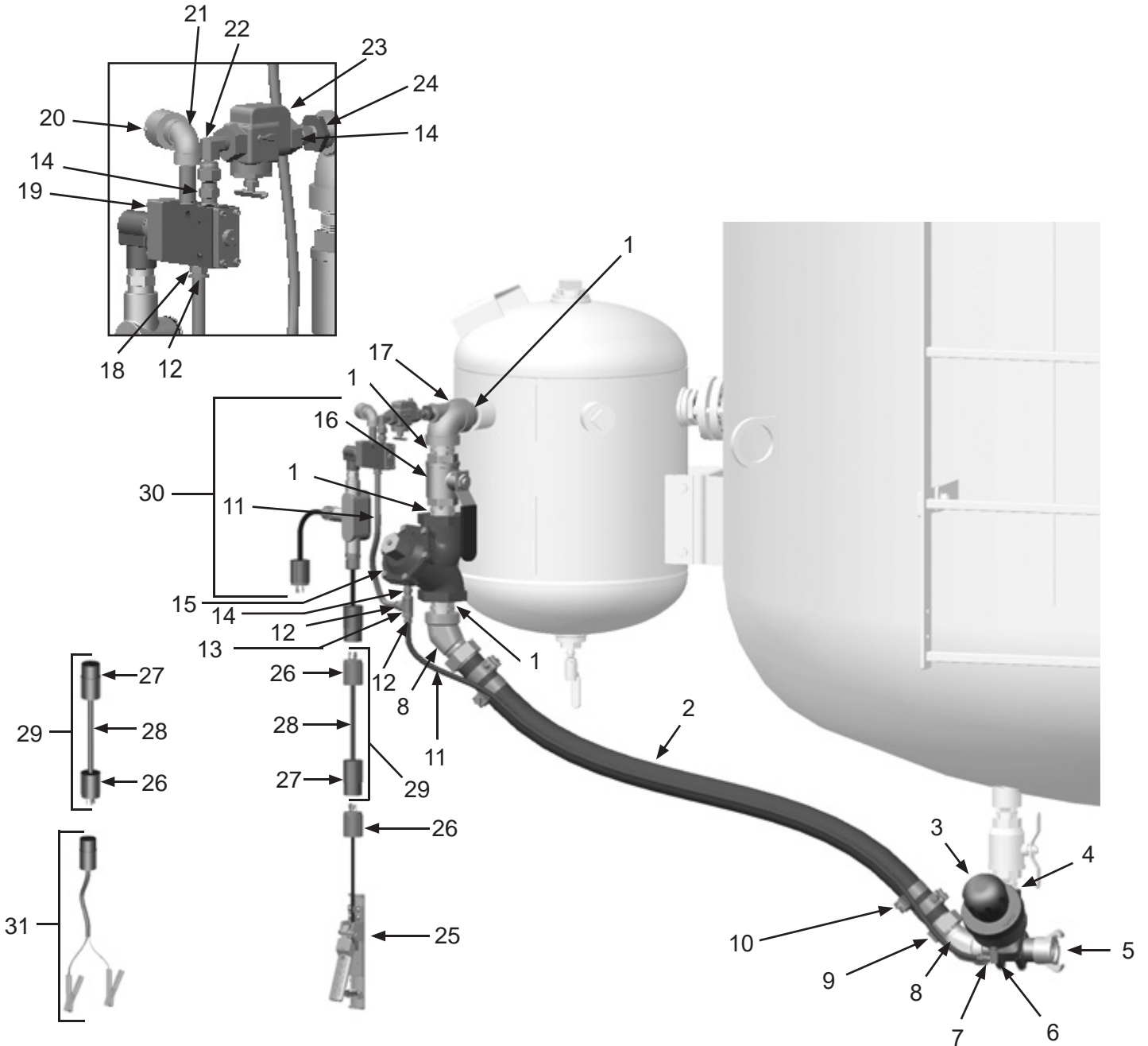
Complete 12-Volt DC Electric Conversion Kit – 120 Cu. Ft and Larger Abrasive Blasting Pot – 1-Outlet

Item #	Part #	Description
Fig. 5		
—	10106190	12-Volt DC Electric Conversion Kit – 120 Cu. Ft. and Larger – 1-Outlet (Urethane)
—	10106191	12-Volt DC Electric Conversion Kit – 120 Cu. Ft. and Larger – 1-Outlet (Tungsten Carbide)
1	1014015	1-1/2" Close Nipple <i>(Four Required)</i>
2	10AH112B	1-1/2" I.D. Air Hose - Per Foot
3	10101950	1-1/2" Maxum III Abrasive Metering Valve – Tungsten Carbide Sleeve <i>(For use with 10106191)</i>
—	10101946	1-1/2" Maxum III Abrasive Metering Valve – Urethane Sleeve <i>(For use with 10106190)</i>
4	1011201	1-1/4" NPT Close Nipple
5	10SB2S	1-1/2" NPT Brass Tank Coupling
6	1014239	1/8" 90° Swivel Fitting
7	10PAF0125	1/8" Push-On Air Hose Fitting
8	1011805	1-1/2" NPT 45° Street Elbow <i>(Two Required)</i>
9	10SFE4	1-1/2" NPT Swivel Female Air Hose Fitting <i>(Two Required)</i>
10	10103738	1-1/2" T-Bolt Hose Clamp <i>(Four Required)</i>
11	10AH025	1/4" Push-On Air Hose - Per Foot
12	10PAF025	1/4" Push-On Hose Fitting <i>(Three Required)</i>
13	1011844	1/4" NPT Pipe Tee
14	1017019	1/4" NPT Hex Nipple <i>(Three Required)</i>
15	1013600	1-1/2" High-Flow GateKeeper Air Valve
16	1011603	1-1/2" NPT Full Port Brass Ball Valve
17	1011829	1-1/2" NPT Elbow with 3/4" Side-Out
18	10SME025	1/4" Straight Swivel
19	1019010	12-Volt DC 190 Electric Solenoid
20	10DE025	1/4" NPT Dust Eliminator
21	1011824	1/4" Street Elbow
22	1012326	1/4" Swivel 90° Fitting
23	10WS	Watts Strainer
24	10100524	3/4" X 1/4" Bushing
25	1015100	Blastmaster® 151E Remote Control Switch
26	1015555	3-Prong Twist-Lock Plug – Male
27	1015556	3-Prong Twist-Lock Plug – Female
28	1015540	16/2 SJ Power Cord – Per Foot
29	1015545	50' of 16/2 SO Power Cord with 3-Prong Twist-Lock Plugs Installed <i>(Includes Item #'s: 26, 27, and 28) (Two Required)</i>
30	1019051	Blastmaster® 190 12-Volt DC Electric Control Assembly – Complete <i>(Includes Item #'s: 19, 20, and 21)</i>
31	1015544	Battery Clamp Kit with 3-Prong Twist-Lock Plug Installed

See page 57 for product literature

PART NUMBERS AND SCHEMATICS GUIDE

Figure 5: Complete 12-Volt DC Electric Conversion Kit – 120 Cu. Ft and Larger Abrasive Blasting Pot – 1-Outlet



PART NUMBERS AND SCHEMATICS GUIDE

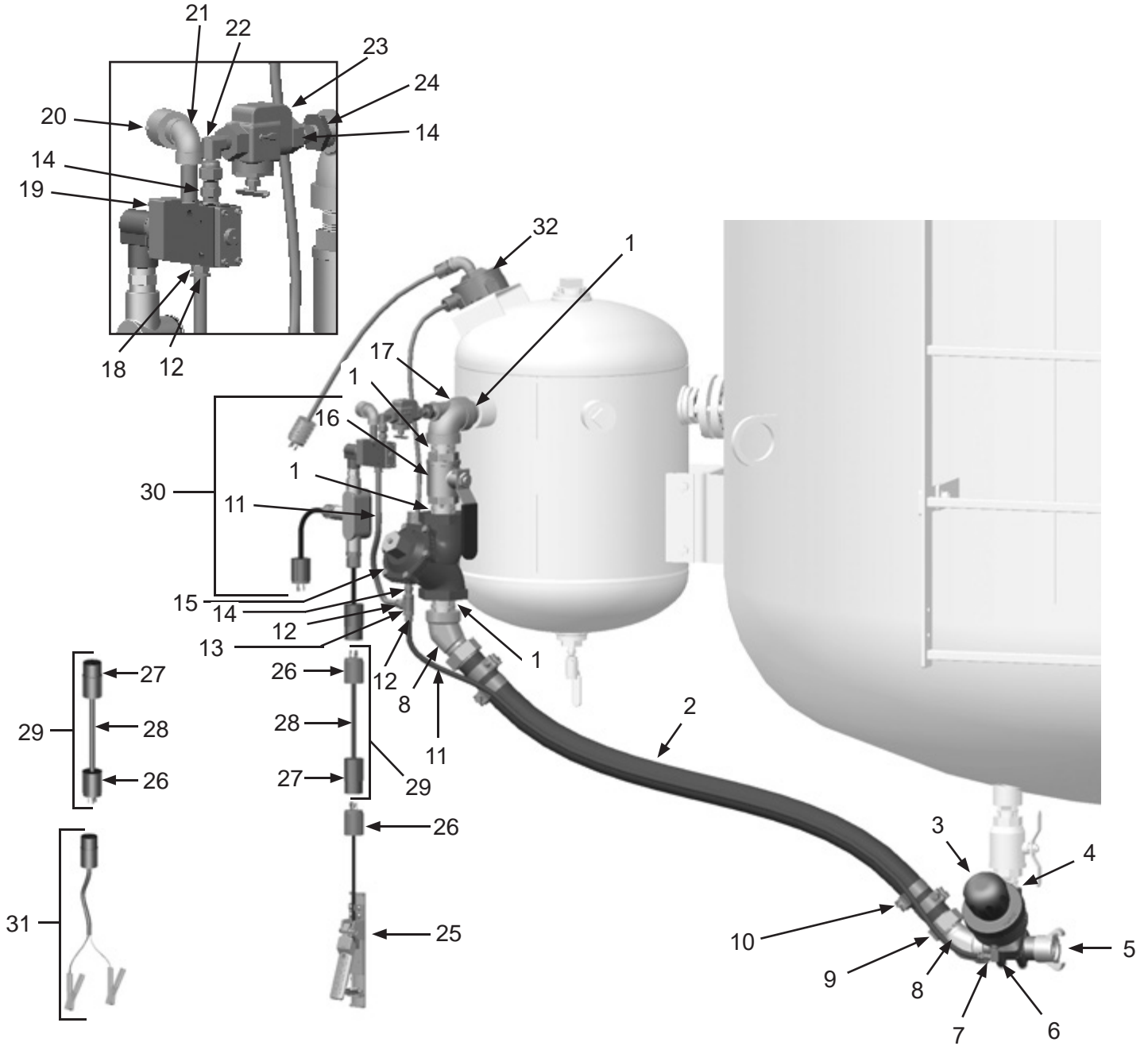
Complete 12-Volt DC Electric Conversion Kit – 120 Cu. Ft and Larger Abrasive Blasting Pot – 2-Outlet

Item #	Part #	Description
Fig. 6		
—	10105064	12-Volt DC Electric Conversion Kit – 120 Cu. Ft. and Larger – 2-Outlet (Urethane)
—	10104993	12-Volt DC Electric Conversion Kit – 120 Cu. Ft. and Larger – 2-Outlet (Tungsten Carbide)
1	1014015	1-1/2" Close Nipple (<i>Eight Required</i>)
2	10AH112B	1-1/2" I.D. Air Hose - Per Foot
3	10101950	1-1/2" Maxum III Abrasive Metering Valve – Tungsten Carbide Sleeve (<i>Two Required</i>) (<i>For use with 10104993</i>)
—	10101946	1-1/2" Maxum III Abrasive Metering Valve – Urethane Sleeve (<i>Two Required</i>) (<i>For use with 10105064</i>)
4	1011201	1-1/4" NPT Close Nipple (<i>Two Required</i>)
5	10SB2S	1-1/2" NPT Brass Tank Coupling (<i>Two Required</i>)
6	1014239	1/8" 90° Swivel Fitting (<i>Two Required</i>)
7	10PAF0125	1/8" Push-On Air Hose Fitting (<i>Two Required</i>)
8	1011805	1-1/2" NPT 45° Street Elbow (<i>Four Required</i>)
9	10SFE4	1-1/2" NPT Swivel Female Air Hose Fitting (<i>Four Required</i>)
10	10103738	1-1/2" T-Bolt Hose Clamp (<i>Eight Required</i>)
11	10AH025	1/4" Push-On Air Hose - Per Foot
12	10PAF025	1/4" Push-On Hose Fitting (<i>Six Required</i>)
13	1011844	1/4" NPT Pipe Tee (<i>Two Required</i>)
14	1017019	1/4" NPT Hex Nipple (<i>Three Required</i>)
15	1013600	1-1/2" High-Flow GateKeeper Air Valve (<i>Two Required</i>)
16	1011603	1-1/2" NPT Full Port Brass Ball Valve (<i>Two Required</i>)
17	1011829	1-1/2" NPT Elbow with 3/4" Side-Out (<i>Two Required</i>)
18	10SME025	1/4" Straight Swivel (<i>Two Required</i>)
19	1019010	12-Volt DC 190 Electric Solenoid (<i>Two Required</i>)
20	10DE025	1/4" NPT Dust Eliminator (<i>Two Required</i>)
21	1011824	1/4" Street Elbow (<i>Two Required</i>)
22	1012326	1/4" Swivel 90° Fitting (<i>Two Required</i>)
23	10WS	Watts Strainer (<i>Two Required</i>)
24	10100524	3/4" X 1/4" Bushing (<i>Two Required</i>)
25	1015100	Blastmaster® 151E Remote Control Switch (<i>Two Required</i>)
26	1015555	3-Prong Twist-Lock Plug – Male (<i>Two Required</i>)
27	1015556	3-Prong Twist-Lock Plug – Female (<i>Two Required</i>)
28	1015540	16/2 Power Cord – Per Foot
29	1015545	50' of 16/2 Power Cord with 3-Prong Twist-Lock Plugs Installed (<i>Includes Item #'s: 26, 27, and 28</i>) (<i>Three Required</i>)
30	1019051	Blastmaster® 190 12-Volt DC Electric Control Assembly –Complete (<i>Includes Item #'s: 19, 20, and 21</i>) (<i>Two Required</i>)
31	1015544	Battery Clamp Kit with 3-Prong Twist-Lock Plug Installed
32	10100559	2-Outlet Power Distribution Box

See page 57 for product literature

PART NUMBERS AND SCHEMATICS GUIDE

Figure 6: Complete 12-Volt DC Electric Conversion Kit – 120 Cu. Ft and Larger Abrasive Blasting Pot – 2-Outlet



PART NUMBERS AND SCHEMATICS GUIDE

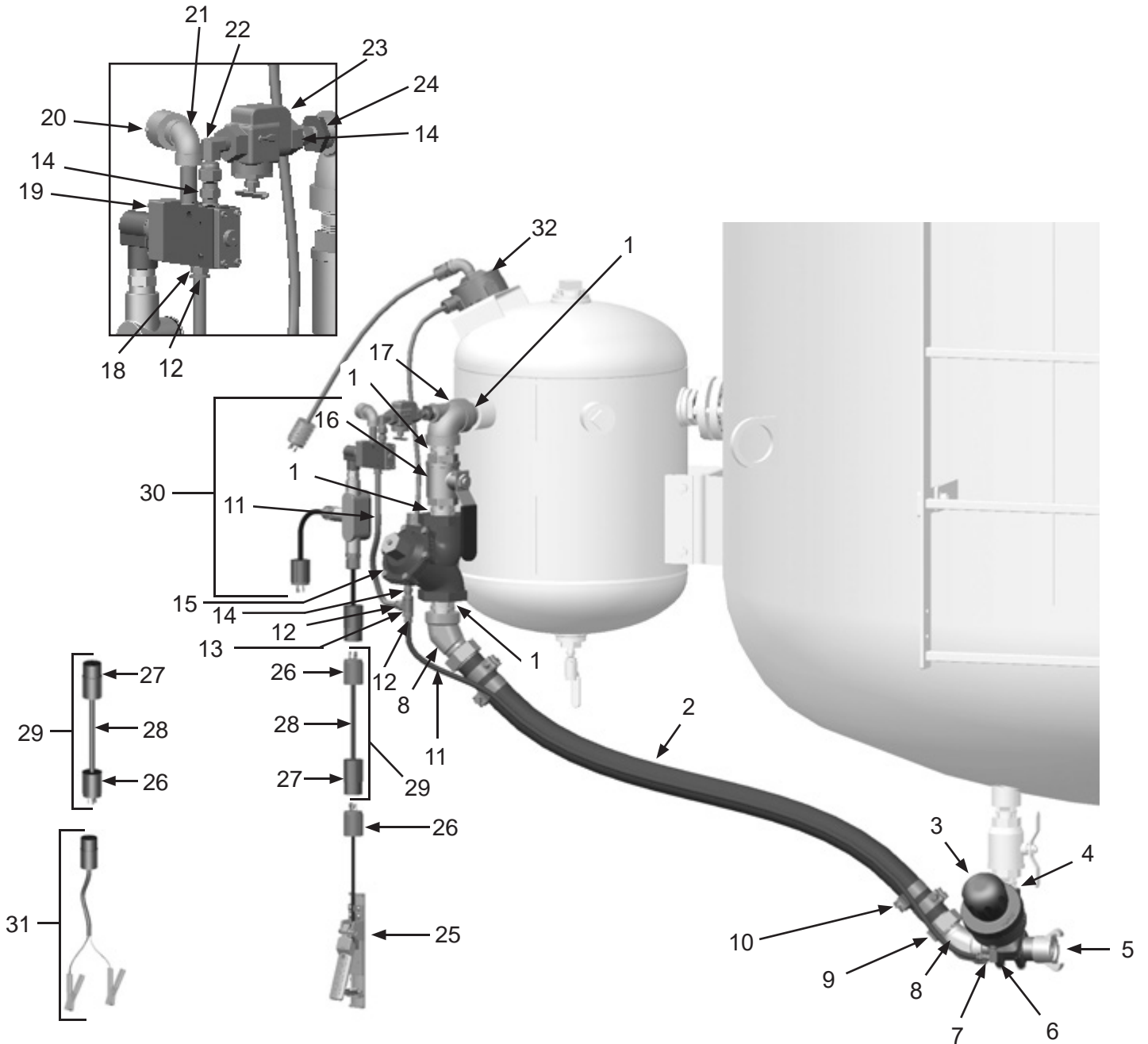
Complete 12-Volt DC Electric Conversion Kit – 120 Cu. Ft and Larger Abrasive Blasting Pot – 3-Outlet

Item #	Part #	Description
Fig. 7		
—	10105065	12-Volt DC Electric Conversion Kit – 120 Cu. Ft. and Larger – 3-Outlet (Urethane)
—	10104994	12-Volt DC Electric Conversion Kit – 120 Cu. Ft. and Larger – 3-Outlet (Tungsten Carbide)
1	1014015	1-1/2" Close Nipple (<i>Twelve Required</i>)
2	10AH112B	1-1/2" I.D. Air Hose - Per Foot
3	10101950	1-1/2" Maxum III Abrasive Metering Valve – Tungsten Carbide Sleeve (<i>Three Required</i>)
—		(<i>For use with 10104994</i>)
	10101946	1-1/2" Maxum III Abrasive Metering Valve – Urethane Sleeve (<i>Three Required</i>) (<i>For use with 10105065</i>)
4	1011201	1-1/4" NPT Close Nipple (<i>Three Required</i>)
5	10SB2S	1-1/2" NPT Brass Tank Coupling (<i>Three Required</i>)
6	1014239	1/8" 90° Swivel Fitting (<i>Three Required</i>)
7	10PAF0125	1/8" Push-On Air Hose Fitting (<i>Three Required</i>)
8	1011805	1-1/2" NPT 45° Street Elbow (<i>Six Required</i>)
9	10SFE4	1-1/2" NPT Swivel Female Air Hose Fitting (<i>Six Required</i>)
10	10103738	1-1/2" T-Bolt Hose Clamp (<i>12 Required</i>)
11	10AH025	1/4" Push-On Air Hose - Per Foot
12	10PAF025	1/4" Push-On Hose Fitting (<i>Nine Required</i>)
13	1011844	1/4" NPT Pipe Tee (<i>Three Required</i>)
14	1017019	1/4" NPT Hex Nipple (<i>Nine Required</i>)
15	1013600	1-1/2" High-Flow GateKeeper Air Valve (<i>Three Required</i>)
16	1011603	1-1/2" NPT Full Port Brass Ball Valve (<i>Three Required</i>)
17	1011829	1-1/2" NPT Elbow with 3/4" Side-Out (<i>Three Required</i>)
18	10SME025	1/4" Straight Swivel (<i>Three Required</i>)
19	1019010	12-Volt DC 190 Electric Solenoid (<i>Three Required</i>)
20	10DE025	1/4" NPT Dust Eliminator (<i>Three Required</i>)
21	1011824	1/4" Street Elbow (<i>Three Required</i>)
22	1012326	1/4" Swivel 90° Fitting (<i>Three Required</i>)
23	10WS	Watts Strainer (<i>Three Required</i>)
24	10100524	3/4" X 1/4" Bushing (<i>Three Required</i>)
25	1015100	Blastmaster® 151E Remote Control Switch (<i>Three Required</i>)
26	1015555	3-Prong Twist-Lock Plug – Male (<i>Three Required</i>)
27	1015556	3-Prong Twist-Lock Plug – Female (<i>Three Required</i>)
28	1015540	16/2 Power Cord – Per Foot
29	1015545	50' of 16/2 Power Cord with 3-Prong Twist-Lock Plugs Installed (<i>Includes Item #'s: 26, 27, and 28</i>) (<i>Four Required</i>)
30	1019051	Blastmaster® 190 12-Volt DC Electric Control Assembly – Complete (<i>Includes Item #'s: 19, 20, and 21</i>) (<i>Three Required</i>)
31	1015544	Battery Clamp Kit with 3-Prong Twist-Lock Plug Installed
32	10100560	3-Outlet Power Distribution Box

See page 57 for product literature

PART NUMBERS AND SCHEMATICS GUIDE

Figure 7: Complete 12-Volt DC Electric Conversion Kit – 120 Cu. Ft and Larger Abrasive Blasting Pot – 3-Outlet



PART NUMBERS AND SCHEMATICS GUIDE

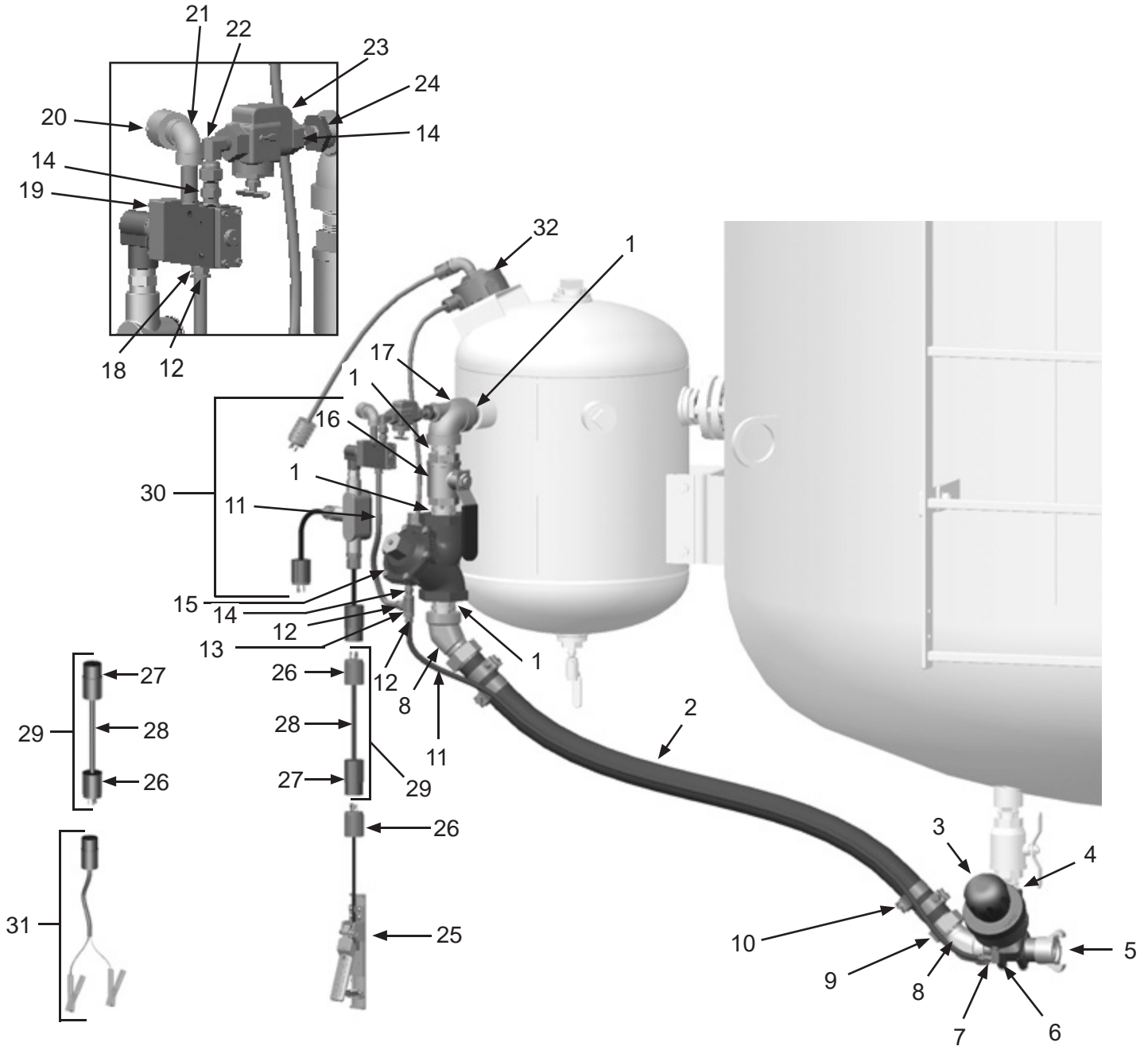
Complete 12-Volt DC Electric Conversion Kit – 120 Cu. Ft and Larger Abrasive Blasting Pot – 4-Outlet

Item #	Part #	Description
Fig. 8		
—	10105066	12-Volt DC Electric Conversion Kit – 120 Cu. Ft. and Larger – 4-Outlet (Urethane)
—	10104995	12-Volt DC Electric Conversion Kit – 120 Cu. Ft. and Larger – 4-Outlet (Tungsten Carbide)
1	1014015	1-1/2" Close Nipple (16 Required)
2	10AH112B	1-1/2" I.D. Air Hose - Per Foot
3	10101950	1-1/2" Maxum III Abrasive Metering Valve – Tungsten Carbide Sleeve (Four Required) (For use with 10104995)
—	10101946	1-1/2" Maxum III Abrasive Metering Valve – Urethane Sleeve (Four Required) (For use with 10105066)
4	1011201	1-1/4" NPT Close Nipple (Four Required)
5	10SB2S	1-1/2" NPT Brass Tank Coupling (Four Required)
6	1014239	1/8" 90° Swivel Fitting (Four Required)
7	10PAF0125	1/8" Push-On Air Hose Fitting (Four Required)
8	1011805	1-1/2" NPT 45° Street Elbow (Six Required)
9	10SFE4	1-1/2" NPT Swivel Female Air Hose Fitting (Eight Required)
10	10103738	1-1/2" T-Bolt Hose Clamp (16 Required)
11	10AH025	1/4" Push-On Air Hose - Per Foot
12	10PAF025	1/4" Push-On Hose Fitting (12 Required)
13	1011844	1/4" NPT Pipe Tee (Four Required)
14	1017019	1/4" NPT Hex Nipple (12 Required)
15	1013600	1-1/2" High-Flow GateKeeper Air Valve (Four Required)
16	1011603	1-1/2" NPT Full Port Brass Ball Valve (Four Required)
17	1011829	1-1/2" NPT Elbow with 3/4" Side-Out (Four Required)
18	10SME025	1/4" Straight Swivel (Four Required)
19	1019010	12-Volt DC 190 Electric Solenoid (Four Required)
20	10DE025	1/4" NPT Dust Eliminator (Four Required)
21	1011824	1/4" Street Elbow (Four Required)
22	1012326	1/4" Swivel 90° Fitting (Four Required)
23	10WS	Watts Strainer (Four Required)
24	10100524	3/4" X 1/4" Bushing (Four Required)
25	1015100	Blastmaster® 151E Remote Control Switch (Four Required)
26	1015555	3-Prong Twist-Lock Plug – Male (Four Required)
27	1015556	3-Prong Twist-Lock Plug – Female (Four Required)
28	1015540	16/2 Power Cord – Per Foot
29	1015545	50' of 16/2 Power Cord with 3-Prong Twist-Lock Plugs Installed (Includes Item #'s: 26, 27, and 28) (Five Required)
30	1019051	Blastmaster® 190 12-Volt DC Electric Control Assembly – Complete (Includes Item #'s: 19, 20, and 21) (Four Required)
31	1015544	Battery Clamp Kit with 3-Prong Twist-Lock Plug Installed
32	10100561	4-Outlet Power Distribution Box

See page 57 for product literature

PART NUMBERS AND SCHEMATICS GUIDE

Figure 8: Complete 12-Volt DC Electric Conversion Kit – 120 Cu. Ft and Larger Abrasive Blasting Pot – 4-Outlet



PART NUMBERS AND SCHEMATICS GUIDE

120-VOLT AC ELECTRIC CONVERSION KITS – 120 CU. FT. AND LARGER ABRASIVE BLASTING POT											
Part Numbers	Number of Outlets				Blastmaster® 1-1/2" Maxum III Abrasive Metering Valve		GateKeeper Air Valve	Blastmaster® 151E Remote Control Switch	Electric Control Line <i>(Includes Connectors)</i>	Junction Box	120-Volt AC to 12-Volt AC Power Converter
	1	2	3	4	Urethane	Tungsten Carbide					
10106176	X				X		1-1/2" High-Flow	X	50 Ft.		X
10106177	X					X	1-1/2" High-Flow	X	50 Ft.		X
10105518		X			X		1-1/2" High-Flow	X	50 Ft.	X	X
10105512		X				X	1-1/2" High-Flow	X	50 Ft.	X	X
10105519			X		X		1-1/2" High-Flow	X	50 Ft.	X	X
10105513			X			X	1-1/2" High-Flow	X	50 Ft.	X	X
10105520				X	X		1-1/2" High-Flow	X	50 Ft.	X	X
10105514				X		X	1-1/2" High-Flow	X	50 Ft.	X	X

For converting bare pot to electric remote control system.

Includes: Blastmaster® Maxum III Abrasive Metering Valve, Blastmaster® 130E Remote Control System with 1-1/2" High-Flow GateKeeper, Pusher Line, Junction Box, Blastmaster® 190 Remote Control Valve

Note that due to the wide variety of blast pots you may need to purchase additional fittings, bushing, etc.

PART NUMBERS AND SCHEMATICS GUIDE



PART NUMBERS AND SCHEMATICS GUIDE

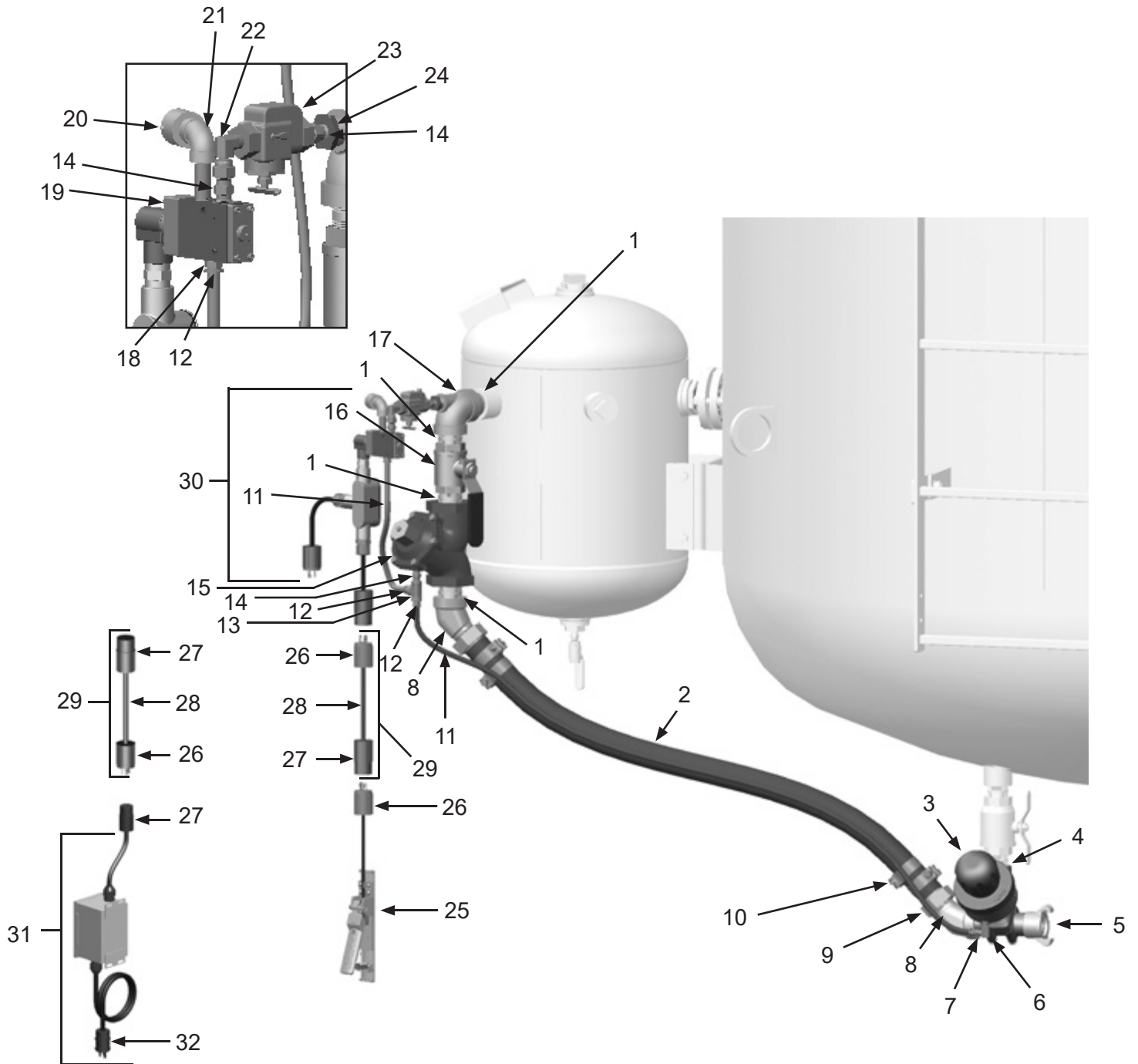
Complete 120-Volt AC Electric Conversion Kit – 120 Cu. Ft and Larger Abrasive Blasting Pot – 1-Outlet

Item #	Part #	Description
Fig. 9		
—	10106176	120-Volt AC Electric Conversion Kit – 120 Cu. Ft. and Larger – 1-Outlet (Urethane)
—	10106177	120-Volt AC Electric Conversion Kit – 120 Cu. Ft. and Larger – 1-Outlet (Tungsten Carbide)
1	1014015	1-1/2" Close Nipple <i>(Four Required)</i>
2	10AH112B	1-1/2" I.D. Air Hose - Per Foot
3	10101950	1-1/2" Maxum III Abrasive Metering Valve – Tungsten Carbide Sleeve <i>(For use with 10106177)</i>
—	10101946	1-1/2" Maxum III Abrasive Metering Valve – Urethane Sleeve <i>(For use with 10106176)</i>
4	1011201	1-1/4" NPT Close Nipple
5	10SB2S	1-1/2" NPT Brass Tank Coupling
6	1014239	1/8" 90° Swivel Fitting
7	10PAF0125	1/8" Push-On Air Hose Fitting
8	1011805	1-1/2" NPT 45° Street Elbow <i>(Two Required)</i>
9	10SFE4	1-1/2" NPT Swivel Female Air Hose Fitting <i>(Two Required)</i>
10	10103738	1-1/2" T-Bolt Hose Clamp <i>(Four Required)</i>
11	10AH025	1/4" Push-On Air Hose - Per Foot
12	10PAF025	1/4" Push-On Hose Fitting <i>(Three Required)</i>
13	1011844	1/4" NPT Pipe Tee
14	1017019	1/4" NPT Hex Nipple <i>(Three Required)</i>
15	1013600	1-1/2" High-Flow GateKeeper Air Valve
16	1011603	1-1/2" NPT Full Port Brass Ball Valve
17	1011829	1-1/2" NPT Elbow with 3/4" Side-Out
18	10SME025	1/4" Straight Swivel
19	1019011	12-Volt AC 190 Electric Solenoid
20	10DE025	1/4" NPT Dust Eliminator
21	1011824	1/4" Street Elbow
22	1012326	1/4" Swivel 90° Fitting
23	10WS	Watts Strainer
24	10100524	3/4" X 1/4" Bushing <i>(One Required)</i>
25	1015100	Blastmaster® 151E Remote Control Switch
26	1015555	3-Prong Twist-Lock Plug – Male
27	1015556	3-Prong Twist-Lock Plug – Female
28	1015540	16/2 SJ Power Cord – Per Foot
29	1015545	50' of 16/2 SO Power Cord with 3-Prong Twist-Lock Plugs Installed <i>(Includes Item #'s: 26, 27, and 28) (Two Required)</i>
30	1019052	Blastmaster® 190 12-Volt AC Electric Control Assembly – Complete <i>(Includes Item #'s: 19, 20, and 21)</i>
31	10100713	120-Volt AC to 12-Volt AC Power Converter <i>(Includes Item # 32)</i>
32	1030026	120 Volt AC Plug - Male - 3 Prong

See page 57 for product literature

PART NUMBERS AND SCHEMATICS GUIDE

Figure 9: Complete 120-Volt AC Electric Conversion Kit – 120 Cu. Ft and Larger Abrasive Blasting Pot – 1-Outlet



PART NUMBERS AND SCHEMATICS GUIDE

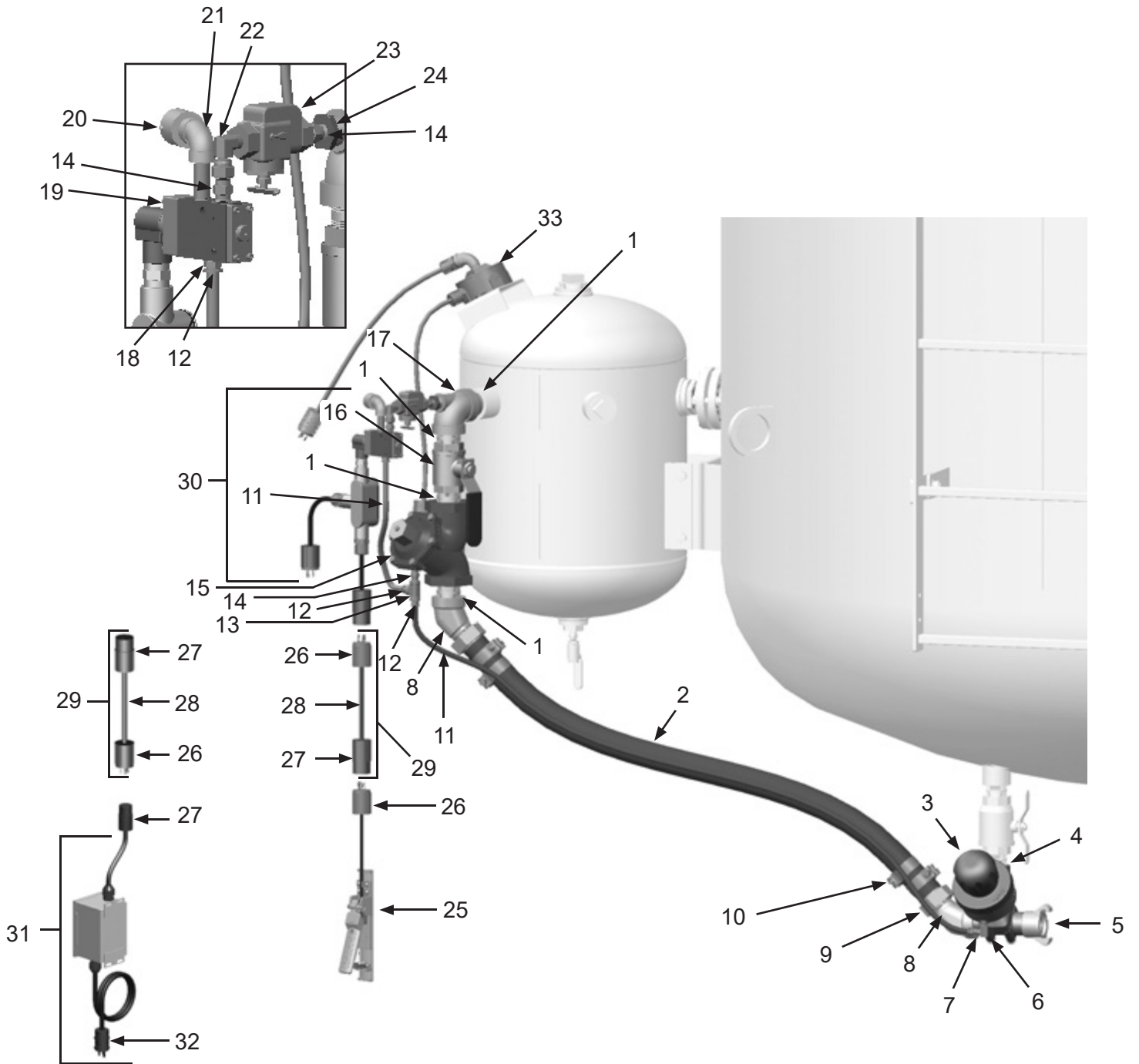
Complete 120-Volt AC Electric Conversion Kit – 120 Cu. Ft and Larger Abrasive Blasting Pot – 2-Outlet

Item #	Part #	Description
Fig. 10		
—	10105518	120-Volt AC Electric Conversion Kit – 120 Cu. Ft. and Larger – 2-Outlet (Urethane)
—	10105512	120-Volt AC Electric Conversion Kit – 120 Cu. Ft. and Larger – 2-Outlet (Tungsten Carbide)
1	1014015	1-1/2" Close Nipple (<i>Eight Required</i>)
2	10AH112B	1-1/2" I.D. Air Hose - Per Foot
3	10101950	1-1/2" Maxum III Abrasive Metering Valve – Tungsten Carbide Sleeve (<i>Two Required</i>) (<i>For use with 10105512</i>)
—	10101946	1-1/2" Maxum III Abrasive Metering Valve – Urethane Sleeve (<i>Two Required</i>) (<i>For use with 10105518</i>)
4	1011201	1-1/4" NPT Close Nipple (<i>Two Required</i>)
5	10SB2S	1-1/2" NPT Brass Tank Coupling (<i>Two Required</i>)
6	1014239	1/8" 90° Swivel Fitting (<i>Two Required</i>)
7	10PAF0125	1/8" Push-On Air Hose Fitting (<i>Two Required</i>)
8	1011805	1-1/2" NPT 45° Street Elbow (<i>Four Required</i>)
9	10SFE4	1-1/2" NPT Swivel Female Air Hose Fitting (<i>Four Required</i>)
10	10103738	1-1/2" T-Bolt Hose Clamp (<i>Eight Required</i>)
11	10AH025	1/4" Push-On Air Hose - Per Foot
12	10PAF025	1/4" Push-On Hose Fitting (<i>Six Required</i>)
13	1011844	1/4" NPT Pipe Tee (<i>Two Required</i>)
14	1017019	1/4" NPT Hex Nipple (<i>Six Required</i>)
15	1013600	1-1/2" High-Flow GateKeeper Air Valve (<i>Two Required</i>)
16	1011603	1-1/2" NPT Full Port Brass Ball Valve (<i>Two Required</i>)
17	1011829	1-1/2" NPT Elbow with 3/4" Side-Out (<i>Two Required</i>)
18	10SME025	1/4" Straight Swivel (<i>Two Required</i>)
19	1019011	12-Volt AC 190 Electric Solenoid (<i>Two Required</i>)
20	10DE025	1/4" NPT Dust Eliminator (<i>Two Required</i>)
21	1011824	1/4" Street Elbow (<i>Two Required</i>)
22	1012326	1/4" Swivel 90° Fitting (<i>Two Required</i>)
23	10WS	Watts Strainer (<i>Two Required</i>)
24	10100524	3/4" X 1/4" Bushing (<i>Two Required</i>)
25	1015100	Blastmaster® 151E Remote Control Switch (<i>Two Required</i>)
26	1015555	3-Prong Twist-Lock Plug – Male (<i>Two Required</i>)
27	1015556	3-Prong Twist-Lock Plug – Female
28	1015540	16/2 SJ Power Cord – Per Foot
29	1015545	50' of 16/2 SO Power Cord with 3-Prong Twist-Lock Plugs Installed (<i>Includes Item #'s: 26, 27, and 28</i>) (<i>Three Required</i>)
30	1019052	Blastmaster® 190 12-Volt AC Electric Control Assembly – Complete (<i>Includes Item #'s: 19, 20, and 21</i>) (<i>Two Required</i>)
31	10100713	120-Volt AC to 12-Volt AC Power Converter (<i>Includes Item # 32</i>)
32	1030026	120-Volt AC Plug - Male - 3 Prong
33	10100559	2-Outlet Power Distribution Box

See page 57 for product literature

PART NUMBERS AND SCHEMATICS GUIDE

Figure 10: Complete 120-Volt AC Electric Conversion Kit – 120 Cu. Ft and Larger Abrasive Blasting Pot – 2-Outlet



PART NUMBERS AND SCHEMATICS GUIDE

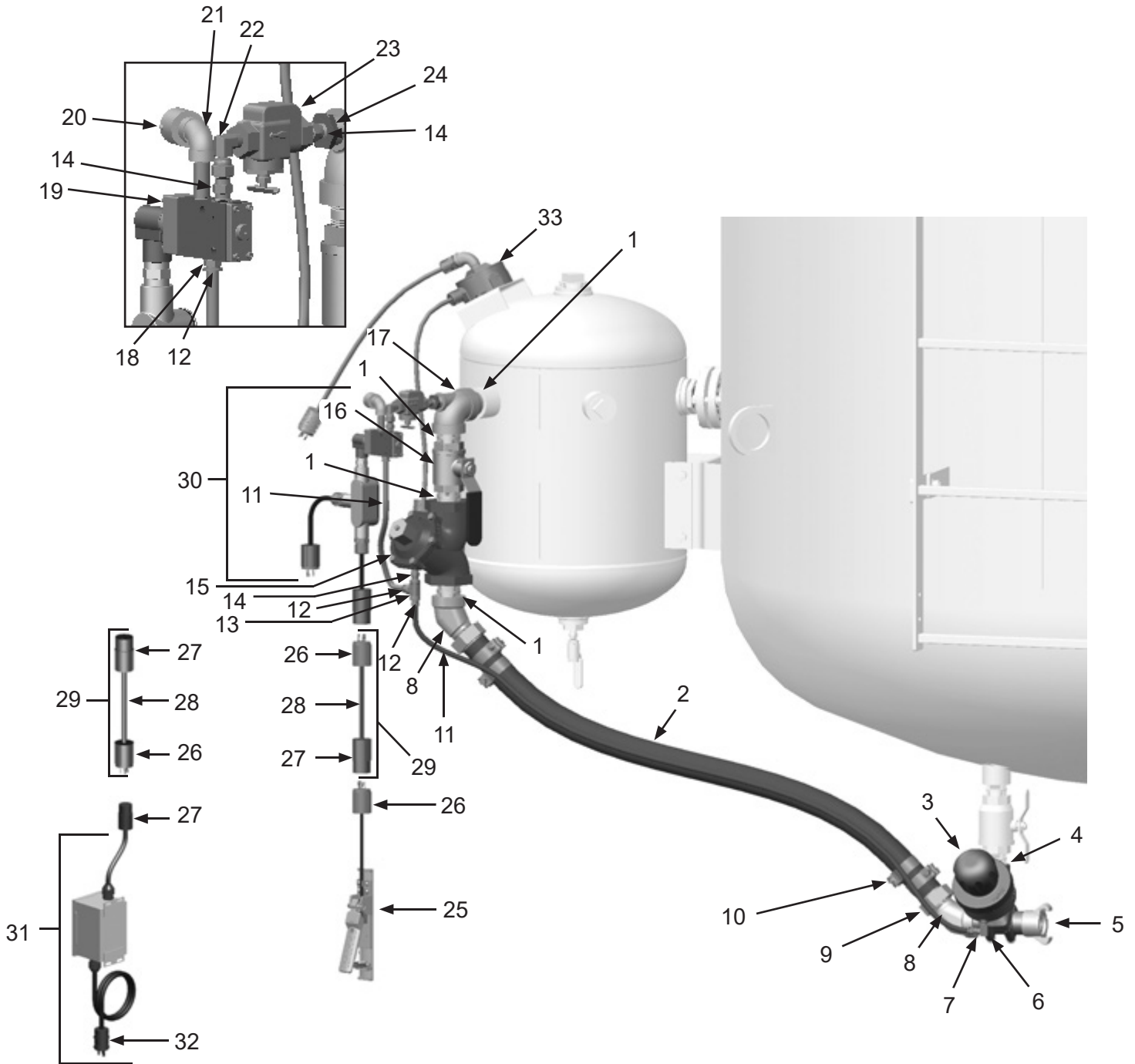
Complete 120-Volt AC Electric Conversion Kit – 120 Cu. Ft and Larger Abrasive Blasting Pot – 3-Outlet

Item #	Part #	Description
Fig. 11		
—	10105519	120-Volt AC Electric Conversion Kit – 120 Cu. Ft. and Larger – 3-Outlet (Urethane)
—	10105513	120-Volt AC Electric Conversion Kit – 120 Cu. Ft. and Larger – 3-Outlet (Tungsten Carbide)
1	1014015	1-1/2" Close Nipple <i>(12 Required)</i>
2	10AH112B	1-1/2" I.D. Air Hose - Per Foot
3	10101950	1-1/2" Maxum III Abrasive Metering Valve – Tungsten Carbide Sleeve <i>(Three Required)</i> <i>(For use with 10105513)</i>
—	10101946	1-1/2" Maxum III Abrasive Metering Valve – Urethane Sleeve <i>(Three Required)</i> <i>(For use with 10105519)</i>
4	1011201	1-1/4" NPT Close Nipple <i>(Three Required)</i>
5	10SB2S	1-1/2" NPT Brass Tank Coupling <i>(Three Required)</i>
6	1014239	1/8" 90° Swivel Fitting <i>(Three Required)</i>
7	10PAF0125	1/8" Push-On Air Hose Fitting <i>(Three Required)</i>
8	1011805	1-1/2" NPT 45° Street Elbow <i>(Five Required)</i>
9	10SFE4	1-1/2" NPT Swivel Female Air Hose Fitting <i>(Six Required)</i>
10	10103738	1-1/2" T-Bolt Hose Clamp <i>(12 Required)</i>
11	10AH025	1/4" Push-On Air Hose - Per Foot
12	10PAF025	1/4" Push-On Hose Fitting <i>(Nine Required)</i>
13	1011844	1/4" NPT Pipe Tee <i>(Three Required)</i>
14	1017019	1/4" NPT Hex Nipple <i>(Nine Required)</i>
15	1013600	1-1/2" High-Flow GateKeeper Air Valve <i>(Three Required)</i>
16	1011603	1-1/2" NPT Full Port Brass Ball Valve <i>(Three Required)</i>
17	1011829	1-1/2" NPT Elbow with 3/4" Side-Out <i>(Three Required)</i>
18	10SME025	1/4" Straight Swivel <i>(Three Required)</i>
19	1019011	12-Volt AC 190 Electric Solenoid <i>(Three Required)</i>
20	10DE025	1/4" NPT Dust Eliminator <i>(Three Required)</i>
21	1011824	1/4" Street Elbow <i>(Three Required)</i>
22	1012326	1/4" Swivel 90° Fitting <i>(Three Required)</i>
23	10WS	Watts Strainer <i>(Three Required)</i>
24	10100524	3/4" X 1/4" Bushing <i>(Three Required)</i>
25	1015100	Blastmaster® 151E Remote Control Switch <i>(Three Required)</i>
26	1015555	3-Prong Twist-Lock Plug – Male <i>(Three Required)</i>
27	1015556	3-Prong Twist-Lock Plug – Female
28	1015540	16/2 SJ Power Cord – Per Foot
29	1015545	50' of 16/2 SO Power Cord with 3-Prong Twist-Lock Plugs Installed <i>(Includes Item #'s: 26, 27, and 28) (Four Required)</i>
30	1019052	Blastmaster® 190 12-Volt AC Electric Control Assembly – Complete <i>(Includes Item #'s: 19, 20, and 21)</i> <i>(Three Required)</i>
31	10100713	120-Volt AC to 12-Volt AC Power Converter <i>(Includes Item # 32)</i>
32	1030026	120-Volt AC Plug - Male - 3 Prong
33	10100560	3-Outlet Power Distribution Box

See page 57 for product literature

PART NUMBERS AND SCHEMATICS GUIDE

Figure 11: Complete 120-Volt AC Electric Conversion Kit – 120 Cu. Ft and Larger Abrasive Blasting Pot – 3-Outlet



PART NUMBERS AND SCHEMATICS GUIDE

Complete 120-Volt AC Electric Conversion Kit – 120 Cu. Ft and Larger Abrasive Blasting Pot – 4-Outlet

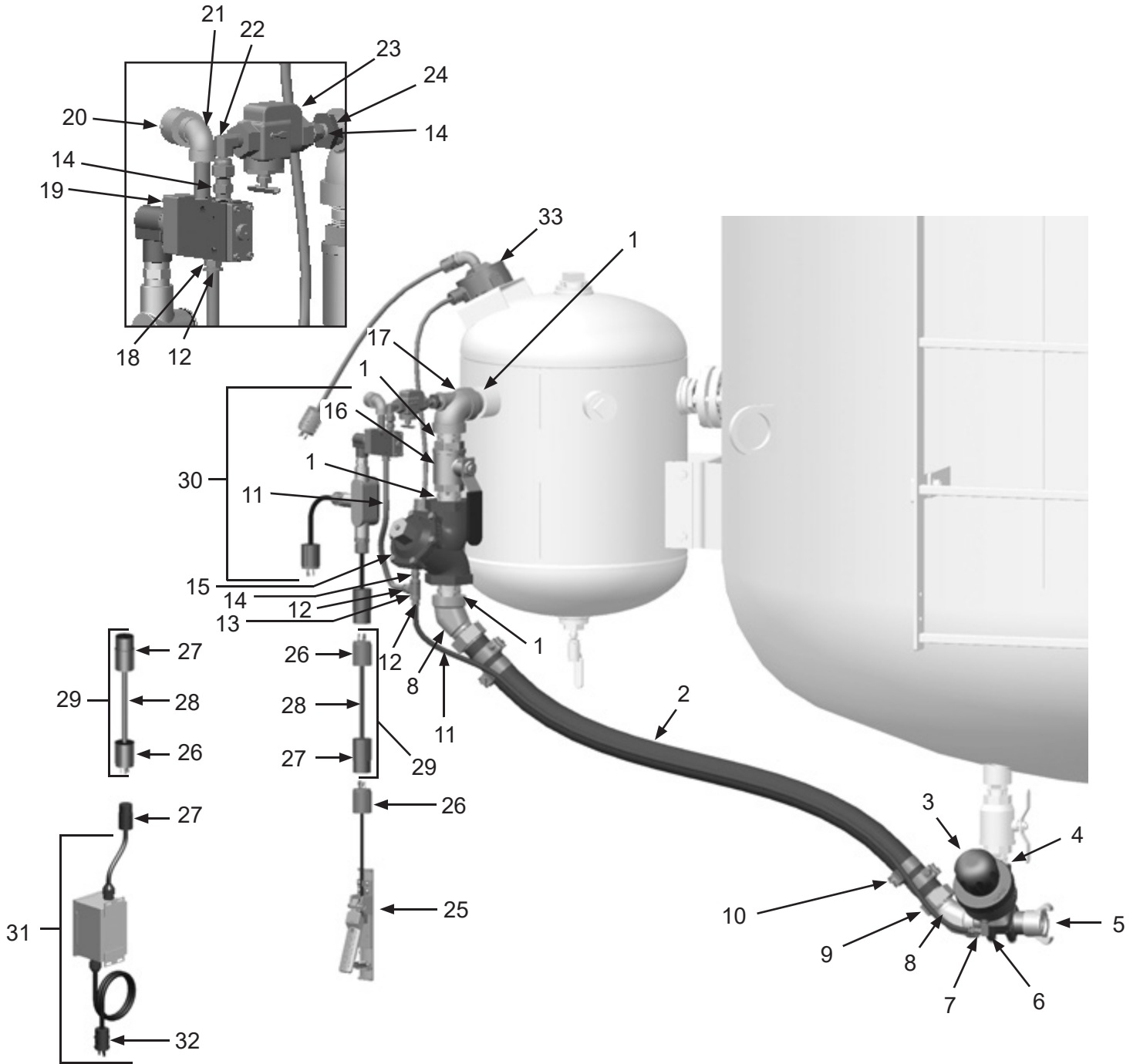
Item # Part # Description

Item #	Part #	Description
Fig. 12		
—	10105520	120-Volt AC Electric Conversion Kit – 120 Cu. Ft. and Larger – 4-Outlet (Urethane)
—	10105514	120-Volt AC Electric Conversion Kit – 120 Cu. Ft. and Larger – 4-Outlet (Tungsten Carbide)
1	1014015	1-1/2" Close Nipple (16 Required)
2	10AH112B	1-1/2" I.D. Air Hose - Per Foot
3	10101950	1-1/2" Maxum III Abrasive Metering Valve – Tungsten Carbide Sleeve (Four Required) (For use with 10105514)
—	10101946	1-1/2" Maxum III Abrasive Metering Valve – Urethane Sleeve (Four Required) (For use with 10105520)
4	1011201	1-1/4" NPT Close Nipple (Four Required)
5	10SB2S	1-1/2" NPT Brass Tank Coupling (Four Required)
6	1014239	1/8" 90° Swivel Fitting (Four Required)
7	10PAF0125	1/8" Push-On Air Hose Fitting (Four Required)
8	1011805	1-1/2" NPT 45° Street Elbow (Six Required)
9	10SFE4	1-1/2" NPT Swivel Female Air Hose Fitting (Eight Required)
10	10103738	1-1/2" T-Bolt Hose Clamp (16 Required)
11	10AH025	1/4" Push-On Air Hose – Per Foot
12	10PAF025	1/4" Push-On Hose Fitting (12 Required)
13	1011844	1/4" NPT Pipe Tee (Four Required)
14	1017019	1/4" NPT Hex Nipple (12 Required)
15	1013600	1-1/2" High-Flow GateKeeper Air Valve (Four Required)
16	1011603	1-1/2" NPT Full Port Brass Ball Valve (Four Required)
17	1011829	1-1/2" NPT Elbow with 3/4" Side-Out (Four Required)
18	10SME025	1/4" Straight Swivel (Four Required)
19	1019011	12-Volt AC 190 Electric Solenoid (Four Required)
20	10DE025	1/4" NPT Dust Eliminator (Four Required)
21	1011824	1/4" Street Elbow (Four Required)
22	1012326	1/4" Swivel 90° Fitting (Four Required)
23	10WS	Watts Strainer (Four Required)
24	10100524	3/4" X 1/4" Bushing (Four Required)
25	1015100	Blastmaster® 151E Remote Control Switch (Four Required)
26	1015555	3-Prong Twist-Lock Plug – Male (Four Required)
27	1015556	3-Prong Twist-Lock Plug – Female
28	1015540	16/2 SJ Power Cord – Per Foot
29	1015545	50' of 16/2 SO Power Cord with 3-Prong Twist-Lock Plugs Installed (Includes Item #'s: 26, 27, and 28) (Five Required)
30	1019052	Blastmaster® 190 12-Volt AC Electric Control Assembly – Complete (Includes Item #'s: 19, 20, and 21) (Four Required)
31	10100713	120-Volt AC to 12-Volt AC Power Converter (Includes Item # 32)
32	1030026	120-Volt AC Plug - Male - 3 Prong
33	10100561	4-Outlet Power Distribution Box

See page 57 for product literature

PART NUMBERS AND SCHEMATICS GUIDE

Figure 12: Complete 120-Volt AC Electric Conversion Kit – 120 Cu. Ft and Larger Abrasive Blasting Pot – 4-Outlet



PART NUMBERS AND SCHEMATICS GUIDE

PNEUMATIC TO 12-VOLT DC ELECTRIC CONVERSION KITS – 120 CU. FT. AND LARGER ABRASIVE BLASTING POT

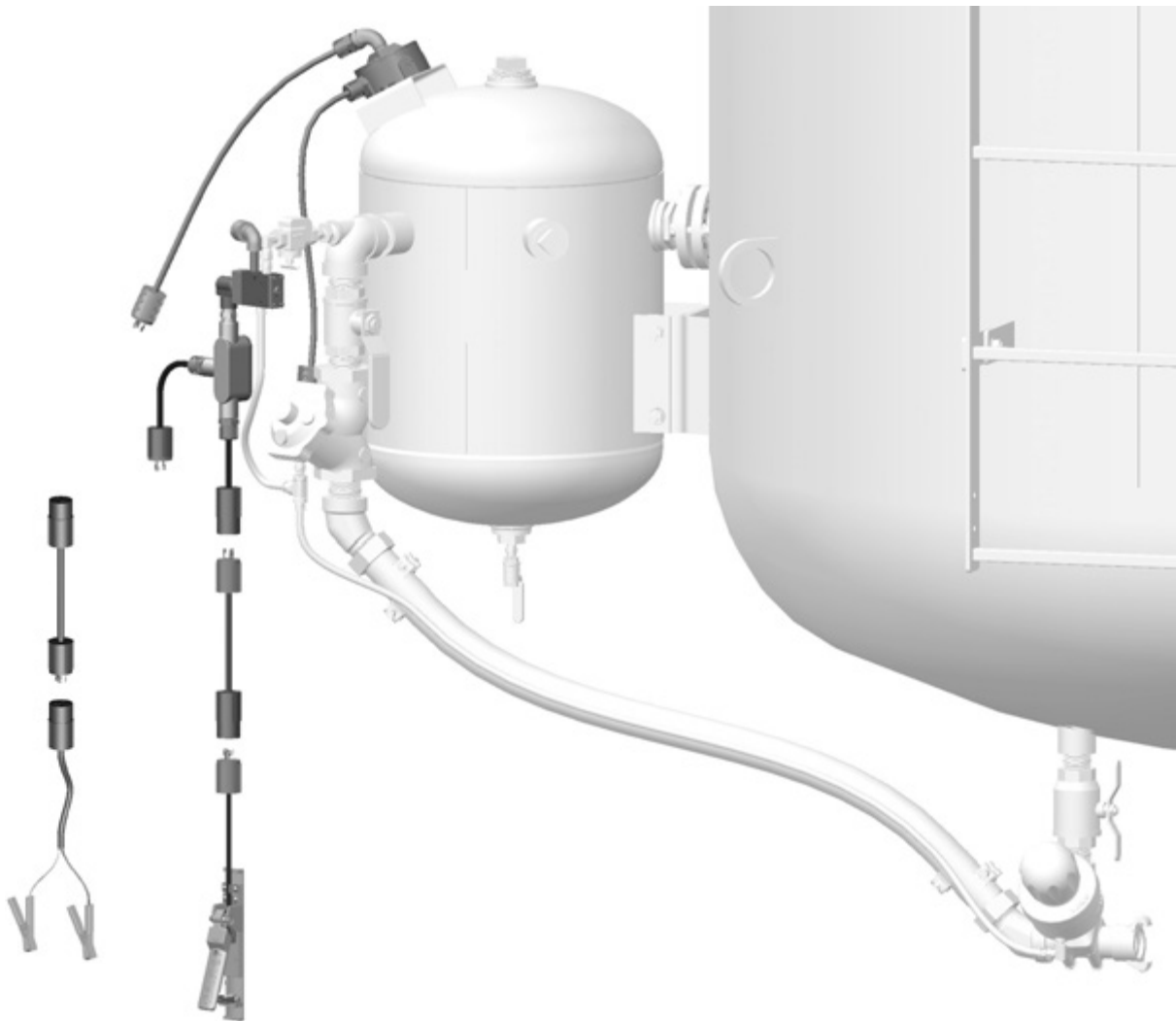
Part Numbers	Number of Bulk Pot Outlets	Blastmaster® 151E Remote Control Switch	Electric Control Line <i>(Includes Connectors)</i>	Power Cord <i>(Includes Connectors)</i>	Junction Box	Battery Clamps
10106371	1	X	50 Ft. <i>(Quantity of Two)</i>	25 Ft.		X
10104987	2	X <i>(Quantity of Two)</i>	50 Ft. <i>(Quantity of Three)</i>	25 Ft. <i>(Quantity of Two)</i>	X	X
10104988	3	X <i>(Quantity of Three)</i>	50 Ft. <i>(Quantity of Four)</i>	25 Ft. <i>(Quantity of Three)</i>	X	X
10104989	4	X <i>(Quantity of Four)</i>	50 Ft. <i>(Quantity of Five)</i>	25 Ft. <i>(Quantity of Four)</i>	X	X

For converting Pneumatic to 12-Volt DC Electric Conversion Kits

Includes: Junction Box, Control Line, Blastmaster® 151E Remote Control Switch, and Battery Clamps

Note that due to the wide variety of blast pots you may need to purchase additional fittings, bushing, etc.

PART NUMBERS AND SCHEMATICS GUIDE



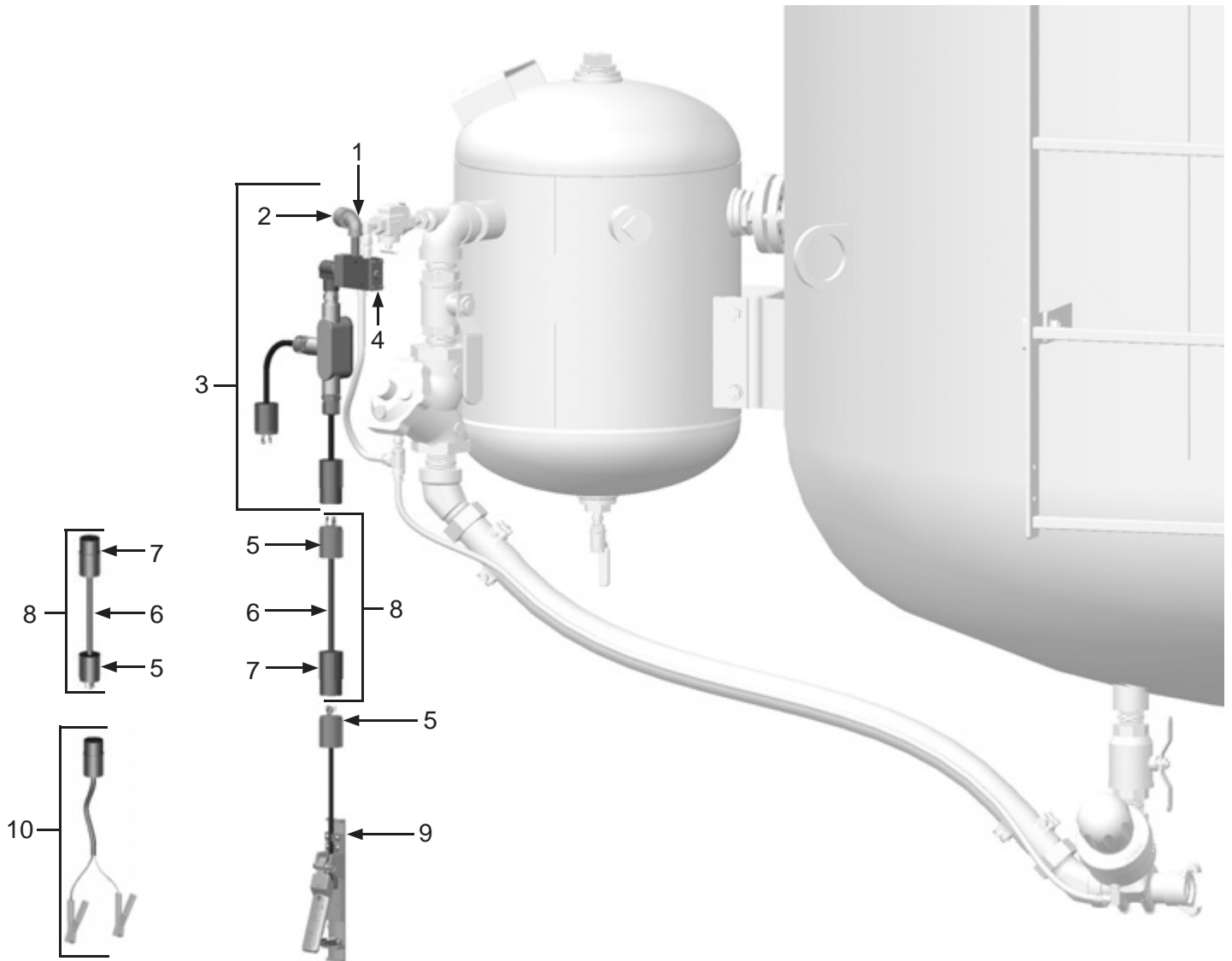
PART NUMBERS AND SCHEMATICS GUIDE

Pneumatic to 12-Volt DC Electric Conversion Kits – 120 Cu. Ft. and Larger Abrasive Blasting Pot

Item #	Part #	Description
Fig. 13	10106371	Pneumatic to 12-Volt DC Electric Conversion Kits – 1-Outlet Power Distribution Box
1	1011832	Galvanized 1/4" 90° Elbow
2	10DE025	1/4" Dust Eliminator
3	1019051	Blastmaster® 190 12-Volt DC Electric Control Assembly – Complete <i>(Includes Item #'s: 1, 2, and 4)</i>
4	1019010	12-Volt DC Electric Solenoid – Complete
5	1015555	3-Prong Twist-Lock Plug – Male
6	1015540	16/2 SJ Power Cord – Per Foot
7	1015556	3-Prong Twist-Lock Plug – Female
8	1015545	50' of 16/2 SO Power Cord with 3-Prong Twist-Lock Plugs Installed <i>(Includes Item #'s: 5, 6, and 7) (Two Required)</i>
9	1015100	Blastmaster® 151E Remote Control Switch
10	1015544	Battery Clamp Kit with 3-Prong Twist-Lock Plug Installed

PART NUMBERS AND SCHEMATICS GUIDE

Figure 13: Pneumatic to 12-Volt DC Electric Conversion Kits – 120 Cu. Ft. and Larger Abrasive Blasting Pot



PART NUMBERS AND SCHEMATICS GUIDE

Pneumatic to 12-Volt DC Electric Conversion Kits – 120 Cu. Ft. and Larger Abrasive Blasting Pot

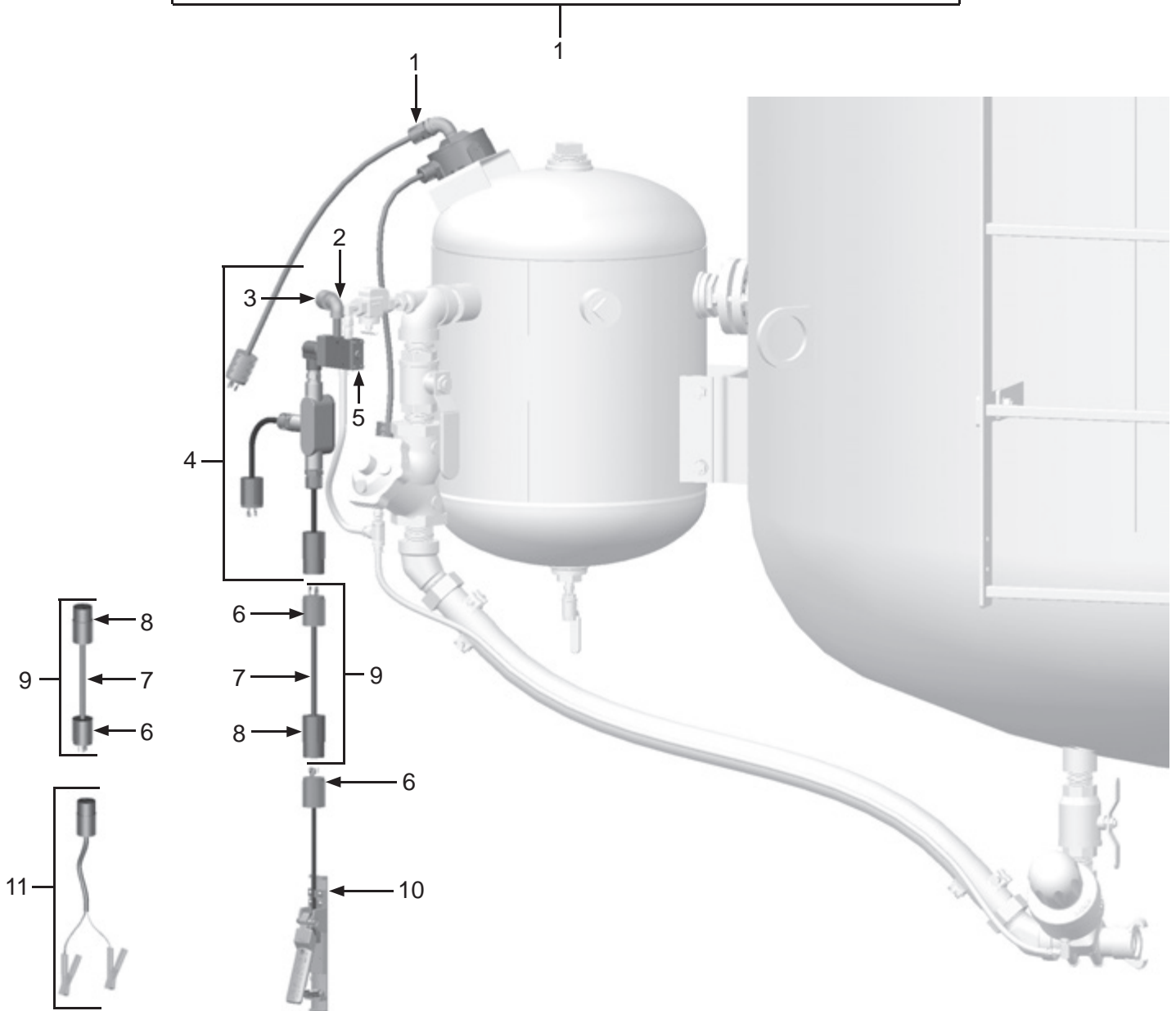
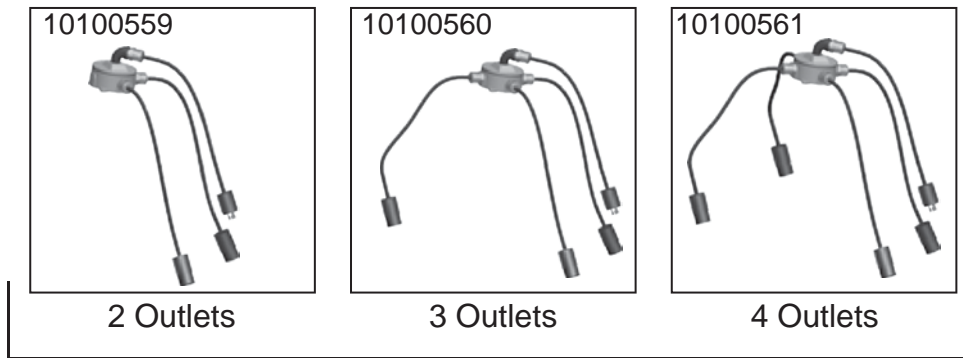
Item #	Part #	Description
Fig. 14	10104987	Pneumatic to 12-Volt DC Electric Conversion Kits – 2-Outlet Power Distribution Box
1	10100559	2-Outlet Power Distribution Box
2	1011832	Galvanized 1/4" 90° Elbow <i>(Two Required)</i>
3	10DE025	1/4" Dust Eliminator <i>(Two Required)</i>
4	1019051	Blastmaster® 190 12-Volt DC Electric Control Assembly – Complete <i>(Includes Item #'s: 2, 3, and 5) (Two Required)</i>
5	1019010	12-Volt DC Electric Solenoid – Complete <i>(Two Required)</i>
6	1015555	3-Prong Twist-Lock Plug – Male <i>(Two Required)</i>
7	1015540	16/2 Power Cord – Per Foot
8	1015556	3-Prong Twist-Lock Plug – Female <i>(Three Required)</i>
9	1015545	50' of 16/2 Power Cord with 3-Prong Twist-Lock Plugs Installed <i>(Includes Item #'s: 6, 7, and 8) (Three Required)</i>
10	1015100	Blastmaster® 151E Remote Control Switch <i>(Two Required)</i>
11	1015544	Battery Clamp Kit with 3-Prong Twist-Lock Plug Installed

Item #	Part #	Description
Fig. 14	10104988	Pneumatic to 12-Volt DC Electric Conversion Kits – 3-Outlet Power Distribution Box
1	10100560	3-Outlet Power Distribution Box
2	1011832	Galvanized 1/4" 90° Elbow <i>(Three Required)</i>
3	10DE025	1/4" Dust Eliminator <i>(Three Required)</i>
4	1019051	Blastmaster® 190 12-Volt DC Electric Control Assembly – Complete <i>(Includes Item #'s: 2, 3, and 5) (Three Required)</i>
5	1019010	12-Volt DC Electric Solenoid – Complete <i>(Three Required)</i>
6	1015555	3-Prong Twist-Lock Plug – Male <i>(Three Required)</i>
7	1015540	16/2 SJ Power Cord – Per Foot
8	1015556	3-Prong Twist-Lock Plug – Female <i>(Four Required)</i>
9	1015545	50' of 16/2 SO Power Cord with 3-Prong Twist-Lock Plugs Installed <i>(Includes Item #'s: 6, 7, and 8) (Four Required)</i>
10	1015100	Blastmaster® 151E Remote Control Switch <i>(Three Required)</i>
11	1015544	Battery Clamp Kit with 3-Prong Twist-Lock Plug Installed

Item #	Part #	Description
Fig. 14	10104989	Pneumatic to 12-Volt DC Electric Conversion Kits – 4-Outlet Power Distribution Box
1	10100561	4-Outlet Power Distribution Box
2	1011832	Galvanized 1/4" 90° Elbow <i>(Four Required)</i>
3	10DE025	1/4" Dust Eliminator <i>(Four Required)</i>
4	1019051	Blastmaster® 190 12-Volt DC Electric Control Assembly – Complete <i>(Includes Item #'s: 2, 3, and 5) (Four Required)</i>
5	1019010	12-Volt DC Electric Solenoid – Complete <i>(Four Required)</i>
6	1015555	3-Prong Twist-Lock Plug – Male <i>(Four Required)</i>
7	1015540	16/2 Power Cord – Per Foot
8	1015556	3-Prong Twist-Lock Plug – Female <i>(Five Required)</i>
9	1015545	50' of 16/2 Power Cord with 3-Prong Twist-Lock Plugs Installed <i>(Includes Item #'s: 6, 7, and 8) (Five Required)</i>
10	1015100	Blastmaster® 151E Remote Control Switch <i>(Four Required)</i>
11	1015544	Battery Clamp Kit with 3-Prong Twist-Lock Plug Installed

PART NUMBERS AND SCHEMATICS GUIDE

Figure 14: Pneumatic to 12-Volt DC Electric Conversion Kits – 120 Cu. Ft. and Larger Abrasive Blasting Pot



PART NUMBERS AND SCHEMATICS GUIDE

PNEUMATIC TO 120-VOLT AC ELECTRIC CONVERSION KITS – 120 CU. FT. AND LARGER ABRASIVE BLASTING POT

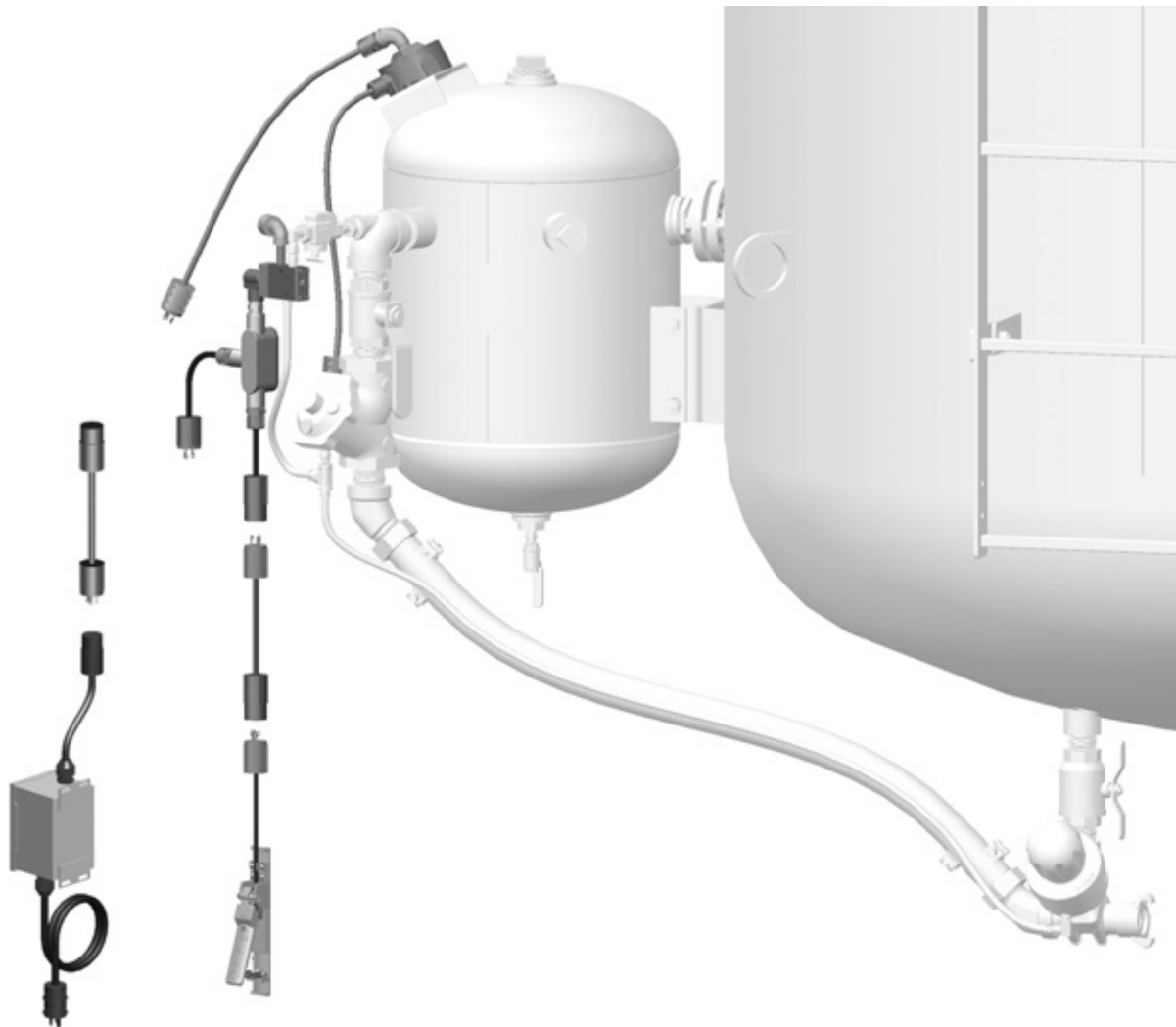
Part Numbers	Number of Bulk Pot Outlets	Blastmaster® 151E Remote Control Switch	Electric Control Line <i>(Includes Connectors)</i>	Power Cord <i>(Includes Connectors)</i>	Junction Box	120-Volt AC to 12-Volt AC Power Converter
10106372	1	X	50 Ft. <i>(Quantity of Two)</i>	25 Ft.		X
10105500	2	X <i>(Quantity of Two)</i>	50 Ft. <i>(Quantity of Three)</i>	25 Ft. <i>(Quantity of Two)</i>	X	X
10105501	3	X <i>(Quantity of Three)</i>	50 Ft. <i>(Quantity of Four)</i>	25 Ft. <i>(Quantity of Three)</i>	X	X
10105502	4	X <i>(Quantity of Four)</i>	50 Ft. <i>(Quantity of Five)</i>	25 Ft. <i>(Quantity of Four)</i>	X	X

For converting Pneumatic to 120-Volt AC Electric Conversion Kits

Includes: Junction Box, Control Line, Blastmaster® 151E Remote Control Switch, and Power Converter

Note that due to the wide variety of blast pots you may need to purchase additional fittings, bushing, etc.

PART NUMBERS AND SCHEMATICS GUIDE



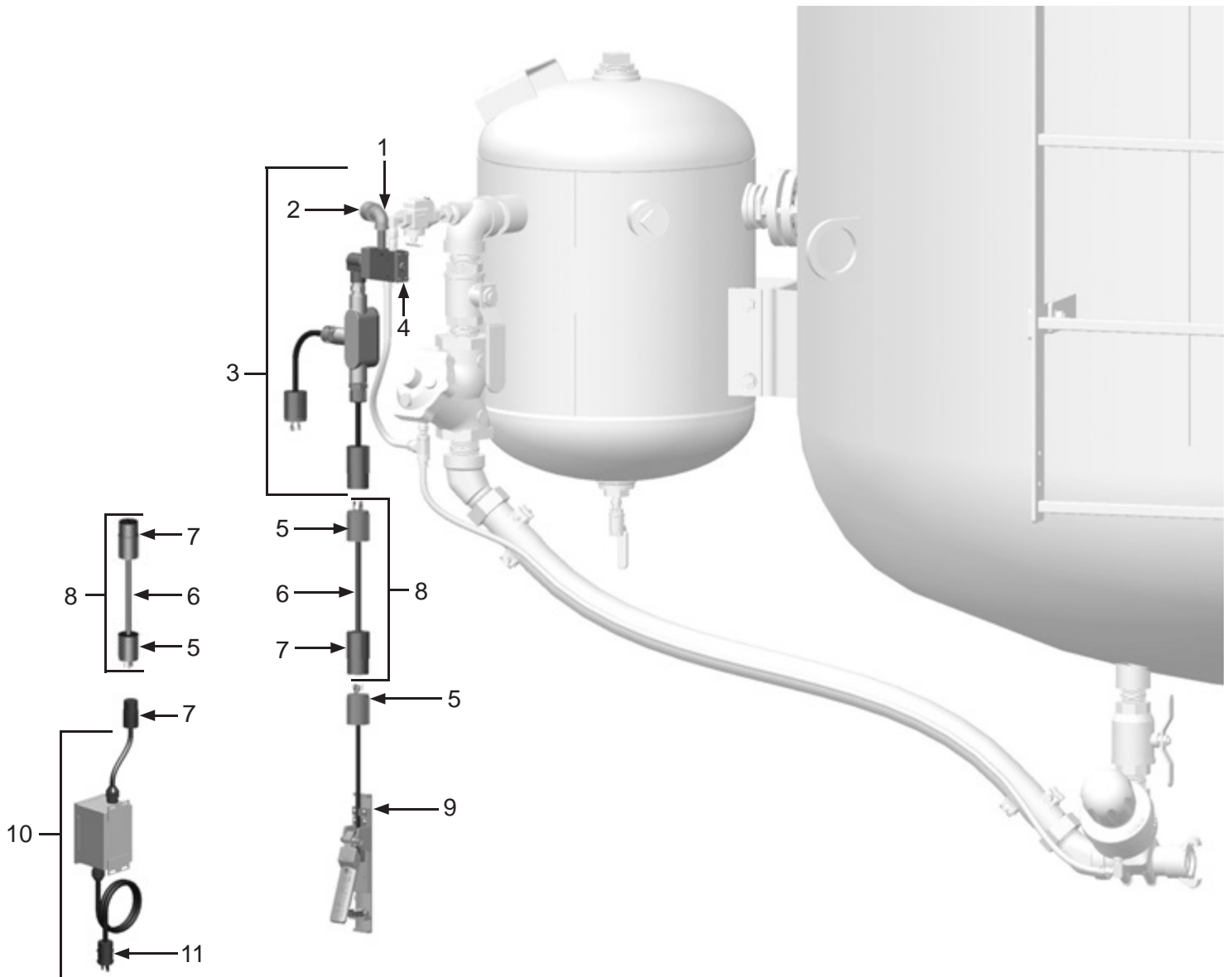
PART NUMBERS AND SCHEMATICS GUIDE

Pneumatic to 120-Volt AC Electric Conversion Kits – 120 Cu. Ft. and Larger Abrasive Blasting Pot

Item #	Part #	Description
Fig. 15	10106372	Pneumatic to 120-Volt AC Electric Conversion Kits – 1-Outlet Power Distribution Box
1	1011832	Galvanized 1/4" 90° Elbow
2	10DE025	1/4" Dust Eliminator
3	1019052	Blastmaster® 190 12-Volt AC Electric Control Assembly – Complete <i>(Includes Item #'s: 1, 2, and 4)</i>
4	1019011	12-Volt AC Electric Solenoid – Complete
5	1015555	3-Prong Twist-Lock Plug – Male
6	1015540	16/2 SJ Power Cord – Per Foot
7	1015556	3-Prong Twist-Lock Plug – Female
8	1015545	50' of 16/2 SO Power Cord with 3-Prong Twist-Lock Plugs Installed <i>(Includes Item #'s: 5, 6, and 7) (Two Required)</i>
9	1015100	Blastmaster® 151E Remote Control Switch
10	10100713	120-Volt AC to 12-Volt AC Power Converter <i>(Includes Item # 11)</i>
11	1030026	120-Volt AC Plug - Male - 3 Prong

PART NUMBERS AND SCHEMATICS GUIDE

Figure 15: Pneumatic to 120-Volt AC Electric Conversion Kits – 120 Cu. Ft. and Larger Abrasive Blasting Pot



PART NUMBERS AND SCHEMATICS GUIDE

Pneumatic to 120-Volt AC Electric Conversion Kits – 120 Cu. Ft. and Larger Abrasive Blasting Pot

Item #	Part #	Description
Fig. 16	10105500	Pneumatic to 120-Volt AC Electric Conversion Kits – 2-Outlet Power Distribution Box
1	10100559	2-Outlet Power Distribution Box
2	1011832	Galvanized 1/4" 90° Elbow <i>(Two Required)</i>
3	10DE025	1/4" Dust Eliminator <i>(Two Required)</i>
4	1019052	Blastmaster® 190 12-Volt AC Electric Control Assembly <i>(Includes Item #'s: 1, 2, and 4) (Two Required)</i>
5	1019011	12-Volt AC Electric Solenoid – Complete <i>(Two Required)</i>
6	1015555	3-Prong Twist-Lock Plug – Male <i>(Two Required)</i>
7	1015540	16/2 SJ Power Cord – Per Foot
8	1015556	3-Prong Twist-Lock Plug – Female
9	1015545	50' of 16/2 SO Power Cord with 3-Prong Twist-Lock Plugs Installed <i>(Includes Item #'s: 6, 7, and 8) (Three Required)</i>
10	1015100	Blastmaster® 151E Remote Control Switch <i>(Two Required)</i>
11	10100713	120-Volt AC to 12-Volt AC Power Converter <i>(Includes Item # 12)</i>
12	1030026	120-Volt AC Plug - Male - 3 Prong

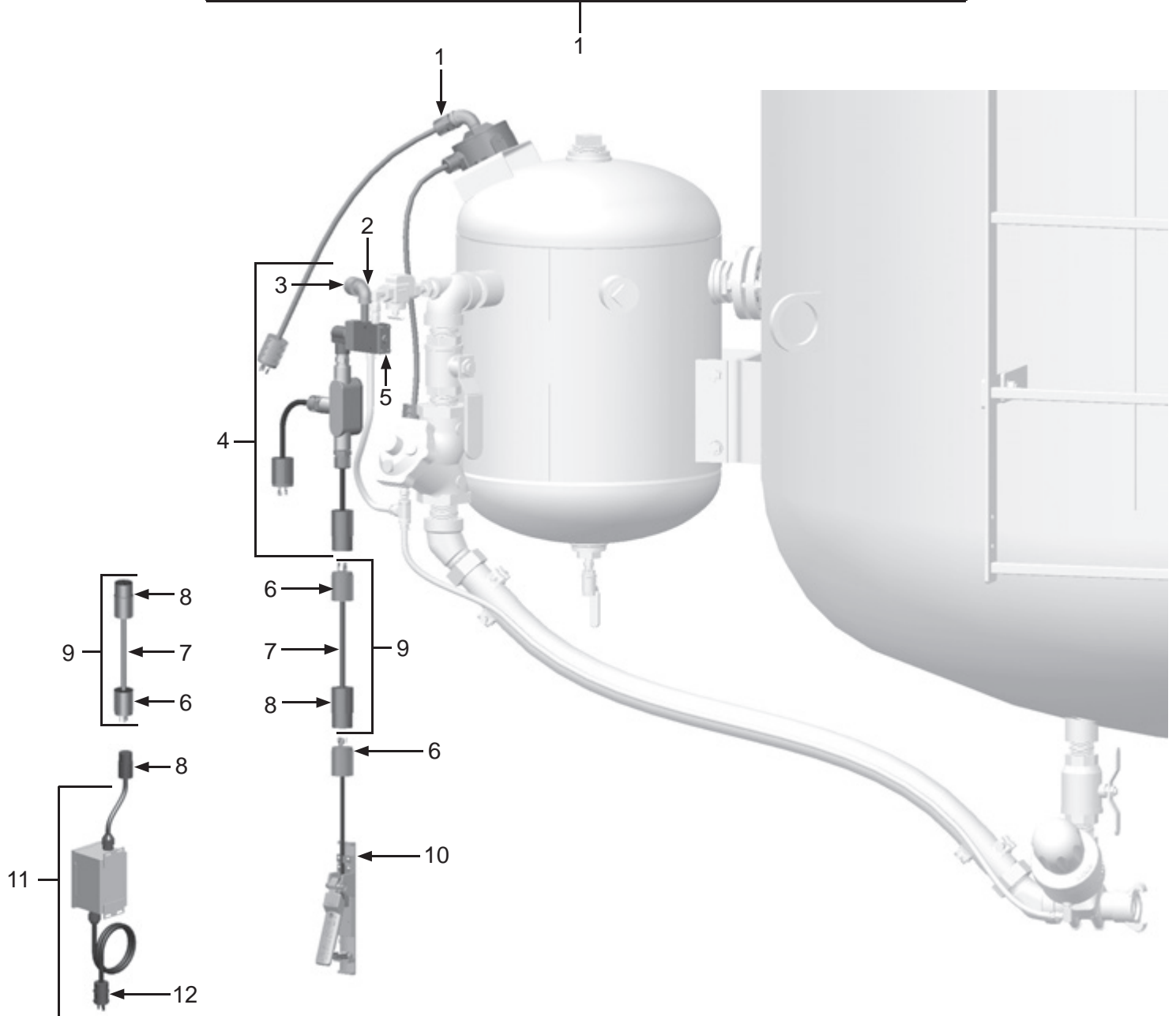
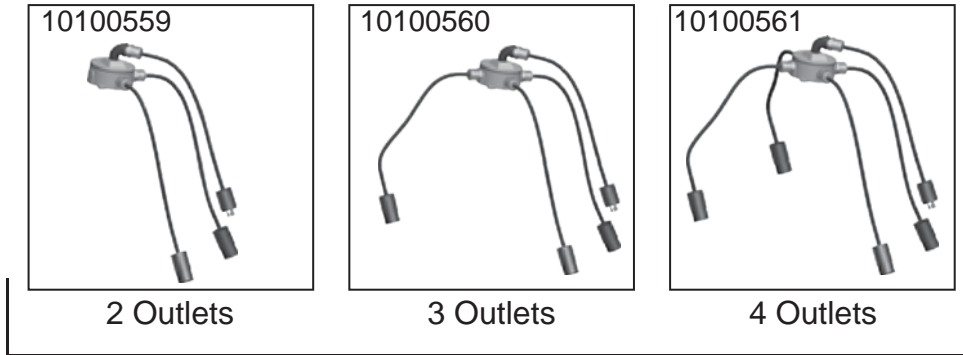
Item #	Part #	Description
Fig. 16	10105501	Pneumatic to 120-Volt AC Electric Conversion Kits – 3-Outlet Power Distribution Box
1	10100560	3-Outlet Power Distribution Box
2	1011832	Galvanized 1/4" 90° Elbow <i>(Three Required)</i>
3	10DE025	1/4" Dust Eliminator <i>(Three Required)</i>
4	1019052	Blastmaster® 190 12-Volt AC Electric Control Assembly <i>(Includes Item #'s: 1, 2, and 4) (Three Required)</i>
5	1019011	12-Volt AC Electric Solenoid – Complete <i>(Three Required)</i>
6	1015555	3-Prong Twist-Lock Plug – Male <i>(Three Required)</i>
7	1015540	16/2 SJ Power Cord – Per Foot
8	1015556	3-Prong Twist-Lock Plug – Female
9	1015545	50' of 16/2 SO Power Cord with 3-Prong Twist-Lock Plugs Installed <i>(Includes Item #'s: 6, 7, and 8) (Four Required)</i>
10	1015100	Blastmaster® 151E Remote Control Switch <i>(Three Required)</i>
11	10100713	120-Volt AC to 12-Volt AC Power Converter <i>(Includes Item # 12)</i>
12	1030026	120-Volt AC Plug - Male - 3 Prong

Item #	Part #	Description
Fig. 16	10105502	Pneumatic to 120-Volt AC Electric Conversion Kits – 4-Outlet Power Distribution Box
1	10100561	4-Outlet Power Distribution Box
2	1011832	Galvanized 1/4" 90° Elbow <i>(Four Required)</i>
3	10DE025	1/4" Dust Eliminator <i>(Four Required)</i>
4	1019052	Blastmaster® 190 12-Volt AC Electric Control Assembly <i>(Includes Item #'s: 1, 2, and 4) (Four Required)</i>
5	1019011	12-Volt AC Electric Solenoid – Complete <i>(Four Required)</i>
6	1015555	3-Prong Twist-Lock Plug – Male <i>(Four Required)</i>
7	1015540	16/2 SJ Power Cord – Per Foot
8	1015556	3-Prong Twist-Lock Plug – Female
9	1015545	50' of 16/2 SO Power Cord with 3-Prong Twist-Lock Plugs Installed <i>(Includes Item #'s: 6, 7, and 8) (Five Required)</i>
10	1015100	Blastmaster® 151E Remote Control Switch <i>(Four Required)</i>
11	10100713	120-Volt AC to 12-Volt AC Power Converter <i>(Includes Item #12)</i>
12	1030026	120-Volt AC Plug - Male - 3 Prong

50 Blastmaster® 130E Remote Control System Conversion Kits

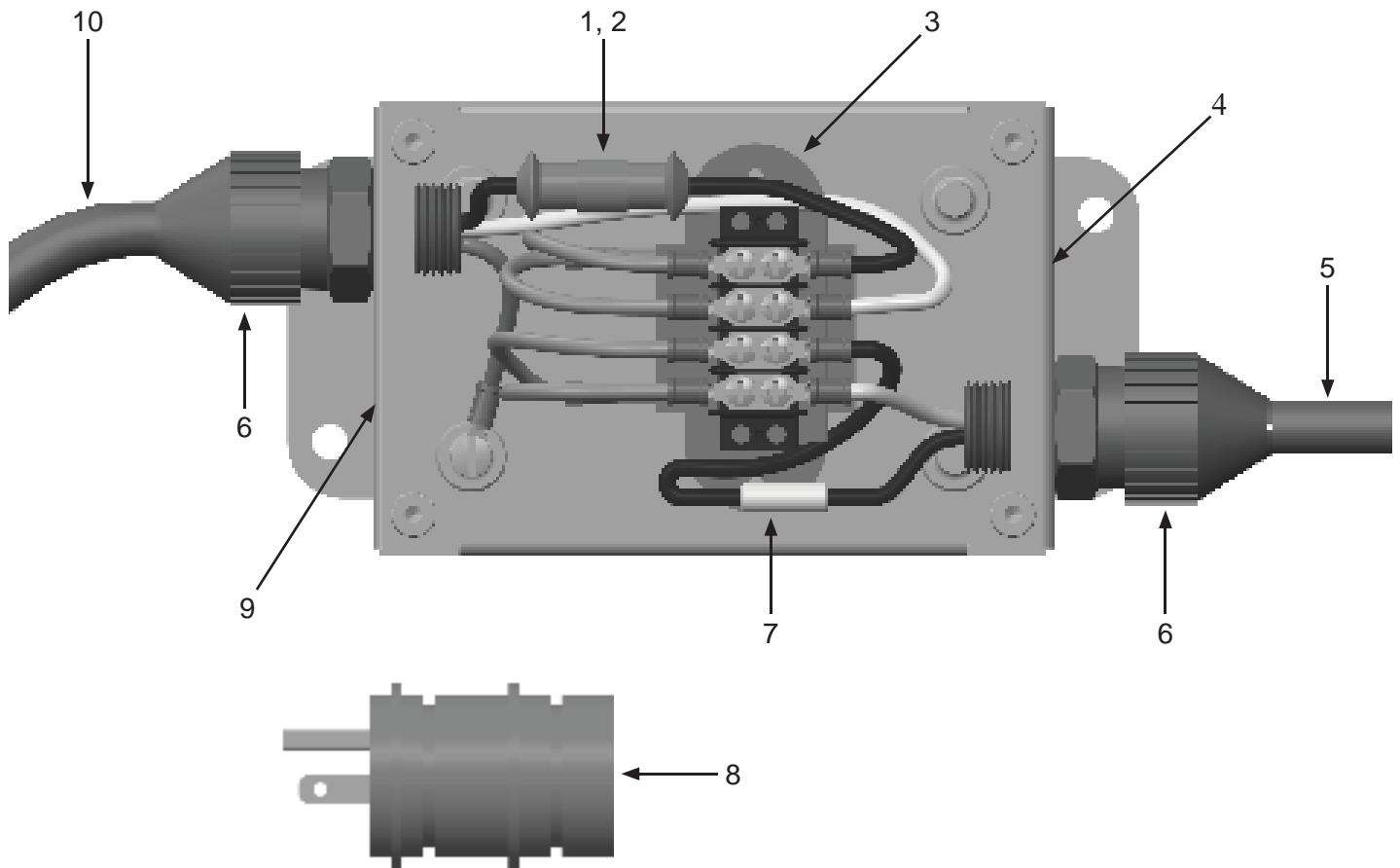
PART NUMBERS AND SCHEMATICS GUIDE

Figure 16: Pneumatic to 120-Volt AC Electric Conversion Kits – 120 Cu. Ft. and Larger Abrasive Blasting Pot



OPTIONAL ACCESSORIES

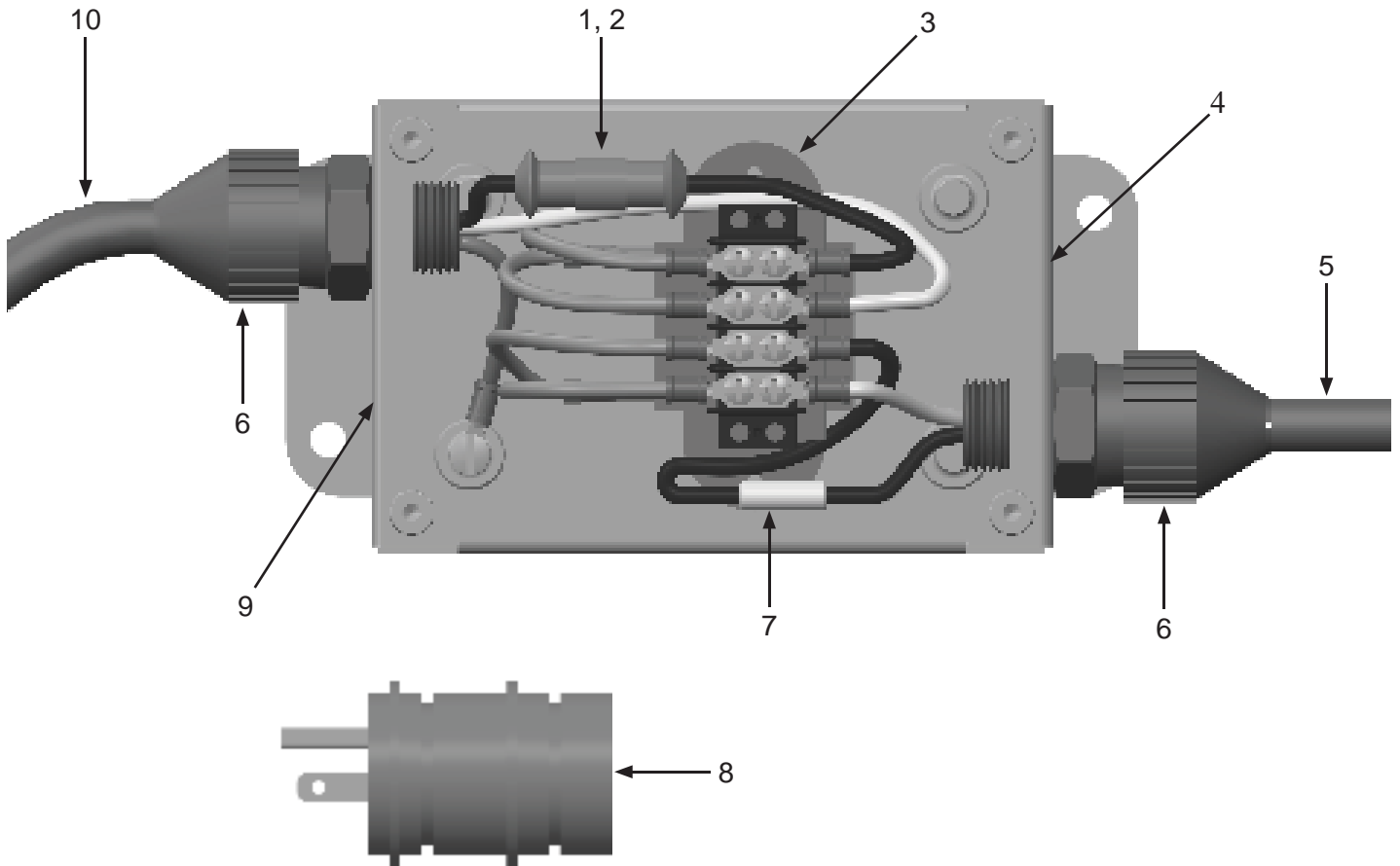
Figure 17: Blastmaster® 120-Volt AC to 12-Volt AC Power Converter For Single-Outlet Configurations



Item #	Part #	Description
Fig. 17		
—	1030020	Blastmaster® 120-Volt AC to 12-Volt AC Power Converter – For Single-Outlet Configurations
1	1030024	2 Amp Fuse
2	1030023	In-Line Fuse Holder
3	1030022	Transformer – Blastmaster® 120-Volt AC to 12-Volt AC Power Converter
4	1091067	Power-Out Decal <i>(Not Shown)</i>
5	1030013	14/2 SEOW Electric Cord <i>(Per Foot)</i>
6	1030025	Strain Relief <i>(Two Required)</i>
7	1030021	Resistor
8	1030026	3-Prong, 120-Volt AC Plug – Male
9	1092014	Power-In Decal <i>(Not Shown)</i>
10	1015550	14/3 SEOW Electrical Cord <i>(Per Foot)</i>
—	1091063	Hazard Identification Decal

OPTIONAL ACCESSORIES

Figure 18: Blastmaster® 120-Volt AC to 12-Volt AC Power Converter For Multiple Outlet Configurations



Item #	Part #	Description
--------	--------	-------------

Fig. 18

—	10100713	Blastmaster® 120-Volt AC to 12-Volt AC Power Converter – For Multiple Outlet Configurations
---	-----------------	--

1	1030123	3 Amp Fuse
---	---------	------------

2	1030023	In-Line Fuse Holder
---	---------	---------------------

3	1030022	Transformer – Blastmaster® 120-Volt AC to 12-Volt AC Power Converter
---	---------	--

4	1091067	Power-Out Decal (<i>Not Shown</i>)
---	---------	--------------------------------------

5	1030013	14/2 SEOW Power Cord (<i>Per Foot</i>)
---	---------	--

6	1030025	Strain Relief (<i>Two Required</i>)
---	---------	---------------------------------------

7	1030021	Resistor
---	---------	----------

8	1030026	3-Prong, 120-Volt AC Plug – Male
---	---------	----------------------------------

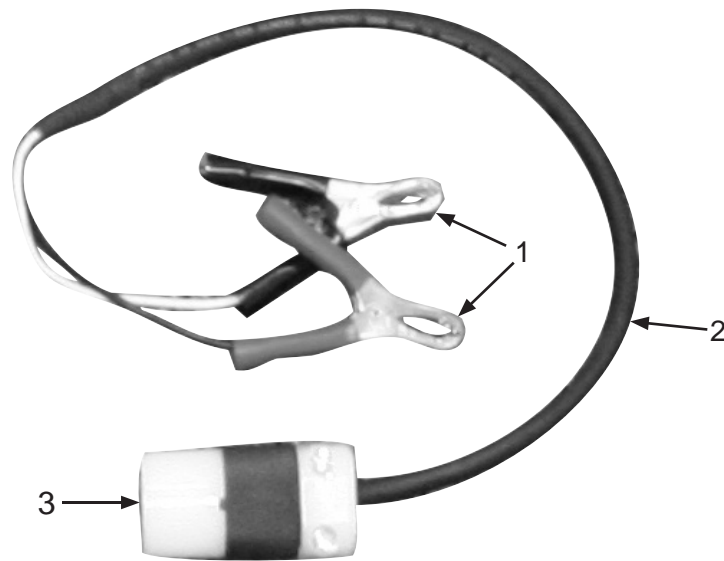
9	1092014	Power-In Decal (<i>Not Shown</i>)
---	---------	-------------------------------------

10	1015550	14/3 SEOW Electrical Cord (<i>Per Foot</i>)
----	---------	---

—	1091063	Hazard Identification Decal
---	---------	-----------------------------

OPTIONAL ACCESSORIES

Figure 19: Battery Clamp Kit with 3-Prong Twist-Lock Plug Installed



Item #	Part #	Description
Fig. 19		
—	1015544	Battery Clamp Kit with 3-Prong Twist-Lock Plug Installed
1	1030718	Battery Clamps – Pair
2	1015540	16/2 Electric Cord (<i>Per Foot</i>)
3	1015556	3-Prong Twist-Lock Plug – Female

OPTIONAL ACCESSORIES









Part Numbers

ELECTRIC CORD

	Gauge	# of Wires	Type	Length
1015540	16	2		Per Foot
1015701	16	3		Per Foot
1030013	14	2	SEOOW	Per Foot
1015550	14	3	SEOOW	Per Foot
1015554	14	4	SEOOW	Per Foot
1015570	12	2	SOOW	Per Foot
1015571	12	3	SJEOOW	Per Foot
1015581	10	3	SEOOW	Per Foot
1015580	10	4	SEOOW	Per Foot
1015591	8	3	SEOOW	Per Foot
1015590	8	4	SEOOW	Per Foot
1015595	6	3	SEOOW	Per Foot

OPTIONAL ACCESSORIES

		ELECTRIC CONTROL LINE WITH PLUGS				
	Part Numbers	Gauge	# of Wires	3-Prong Male Twist-Lock Plug	3-Prong Female Twist-Lock Plug	Length
	1015546	16	2	1015555	1015556	25 Feet
	1015545	16	2	1015555	1015556	50 Feet
	1015547	16	2	1015555	1015556	100 Feet

		ELECTRIC CONTROL LINE PLUGS	
	Part Numbers	Prong Style	Plug Style
	1015555	3-Prong Male	Twist-Lock
	1015556	3-Prong Female	Twist-Lock
	1030026	3-Prong Male	Standard

LITERATURE REFERENCES

Remote Control System

- 106M087 Part Numbers and Schematics Guide – Blastmaster® 130E Remote Control System
- 106M423 Part Numbers and Schematics Guide – Blastmaster® GateKeeper Air Valve
- 1090087 Operator's Manual – Blastmaster® 130E Remote Control System

Remote Control Switch

- 106M063 Part Numbers and Schematics Guide – Blastmaster® 151E Remote Control Switch
- 1090063 Operator's Manual – Blastmaster® 151E Remote Control Switch

Abrasive Metering Valve

- 106M069 Part Numbers and Schematics Guide – Blastmaster® Maxum III Abrasive Metering Valve
- 1090069 Operator's Manual – Blastmaster® Maxum III Abrasive Metering Valve

Abrasive Blasting Pot Muffler

- 106M347 Part Numbers and Schematics Guide – Abrasive Blasting Pot Muffler

GLOBAL HEADQUARTERS

- 3425 East Locust Street
Davenport, IA 52803

ph: 800.BLAST.IT (800.252.7848)
ph: 563.324.2519
fax: 563.324.6258

REGIONAL BRANCH OFFICES

- **Iowa**
Davenport
- **Louisiana**
Gonzales
Lafayette
- **Ohio**
Youngstown
- **Texas**
Beaumont
Corpus Christi
Deer Park



ABRASIVES
BLASTING
COATING
DUST COLLECTORS
ENGINEERED SYSTEMS
RENTAL
SAFETY
SERVICE, REPAIR, & MODERNIZATION
VACUUMS

40+ NATIONWIDE SHIPPING LOCATIONS



★ Marco Regional Branch Offices and Shipping Locations ● Direct Shipping Locations

CONTACT MARCO

800.BLAST.IT
(800.252.7848)
563.324.2519
FAX: 563.324.6258

WWW.MARCO.US
SALES@MARCO.US