

Company Profile

Since 1944, Marco has developed a strong tradition of providing innovative and reliable products and services to the surface preparation and protective coatings industries. We are the world's premier provider of Abrasives, Blasting, Coating, Dust Collectors, Engineered Systems, Rental, Safety, Service, Repair, & Modernization, and Vacuums.

Through innovative designs and a total commitment to quality, Marco manufactures products that increase production rates, create a safer workplace, and reduce maintenance costs. Marco's industry experience, manufacturing capabilities, legendary customer service, product availability, logistics services, and technology leadership is your assurance that we deliver high quality products and services, providing the best value to you, our customer.

The Marco Difference

- **Industry Experience** – With Marco on your team, you have access to expertise which can only come from decades of industry leadership. We have organized our engineering department, production specialists, customer operations, and safety support into a “Center of Competence.” As a Marco customer, you have access to hundreds of years of cumulative experience related to your operations.
- **Manufacturing Excellence** – Marco is a manufacturer of equipment for the Surface Preparation and Protective Coatings industries. Marco's engineers benchmark the industry to ensure that we design and manufacture superior products that set the “Gold Standard” for performance, safety, and quality.
- **Legendary Customer Service** – Marco's legendary customer service team is staffed by friendly, highly-trained individuals who are focused on providing the highest level of product support, order accuracy, and customer satisfaction.
- **Product Availability** – We stock over 10,000 SKU's and have more than 45 shipping locations to serve North American and International markets for all major brands of blasting and coating equipment. As the largest provider of surface preparation and protective coatings equipment in the world, our inventory levels and product availability are unmatched.
- **Logistics Services** – Marco's in-house logistics team is dedicated to moving your shipment anywhere in the world. We move more than 14,000 truckloads every year, allowing you to save on freight costs by leveraging our buying power. Lower your process costs with a single invoice, which includes product and freight.
- **Technology Leadership** – Our website provides: Operator's Manuals, Part Numbers and Schematics Guides, SDS information, and Features & Specifications Guides, providing access to information 24/7. Our Extranet application allows you to receive quotes and place orders online. Our Intranet maintains a complete record of your purchase history to assist with ongoing support of your existing equipment and future purchasing decisions.

Vision Statement

Marco is the world's premier provider of Abrasives, Blasting, Coating, Dust Collectors, Engineered Systems, Rental, Safety, Service, Repair, & Modernization, and Vacuums.

Mission Statement

Marco provides strong leadership and innovation to the surface preparation and protective coatings industries. We dedicate our efforts to the continuous improvement of our products, services, processes, people, and most importantly, the quality of our customer's experience.

Quality Statement

Marco is committed to providing superior quality in the design, manufacturing, distribution, rental, service, and repair of our products. Continuous improvement of our processes and supply chain Integration comprise the core of our business strategy for delivering exceptional quality and value in all Marco products and services.

Management Philosophy

We are a company dedicated to the success of every customer and associate. We discuss, debate, challenge, measure, and test our ideas. We will be boundless and limitless in our passion to improve. Through sound leadership and dedicated associates, we will ensure a long term, profitable future for Marco, our associates, customers, and suppliers.

TABLE OF CONTENTS

Company Profile	2
Table of Contents	3
Part Numbers	4-5
Part Numbers & Schematics	6-22
12-Volt DC Blastmaster® 130E Remote Control System	6-7
12-Volt DC 190 Electric Control Assembly	8
12-Volt DC 190 Electric Solenoid	9
120-Volt AC Blastmaster® 130E Remote Control System	10-11
120-Volt AC Blastmaster® 130E Remote Control System	12-13
12-Volt AC 190 Electric Control Assembly	14
12-Volt AC 190 Electric Solenoid	15
Blastmaster® 120-Volt AC to 12-Volt AC Power Converter	16-17
1-1/2" High-flow GateKeeper Air Valve. . . .	18-19
1-1/2" GateKeeper Air Valve	20-21
Blastmaster® 151E Remote Control Switch . . .	22
Optional Accessories	23-25
Maintenance Notes	26-27

PART NUMBERS

BLASTMASTER® 130E REMOTE CONTROL SYSTEM – 12-VOLT DC

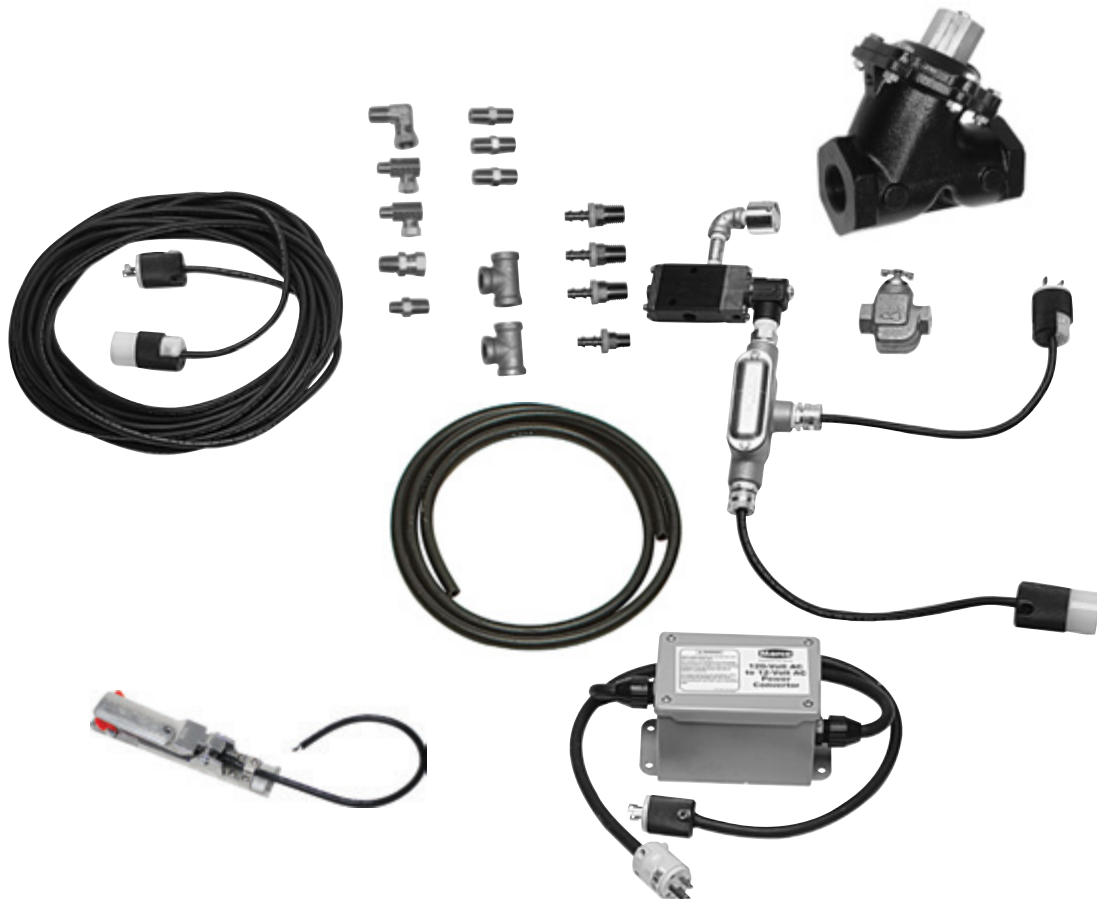
Part Number	Power Source	Battery Clamp Kit	190 Electric Control Assembly	Electric Control Lines	1-1/2" High Flow GateKeeper Air Valve	1-1/2" GateKeeper Air Valve	Remote Control Switch	Watts Strainer
10103835	12-Volt DC	1015544	12-Volt DC	25 & 50 Feet	1013600	—	1015100	10WS
10105798	12-Volt DC	1015544	12-Volt DC	25 & 50 Feet	—	1013200	1015100	10WS



PART NUMBERS

BLASTMASTER® 130E REMOTE CONTROL SYSTEM – 120-VOLT AC

Part Number	# of Abrasive Blasting Pot Outlets	Power Source	120-Volt AC to 12-Volt AC Power Converter	190 Electric Control Assembly	Electric Control Line	1-1/2" High Flow GateKeeper Air Valve	1-1/2" GateKeeper Air Valve	Remote Control Switch	Watts Strainer
10103836	1	120-Volt AC	1030020	12-Volt AC	50 Feet	1013600	—	1015100	10WS
10103870	2	120-Volt AC	10100713	12-Volt AC	50 Feet	1013600	—	1015100	10WS
10103871	3	120-Volt AC	10100713	12-Volt AC	50 Feet	1013600	—	1015100	10WS
10103872	4	120-Volt AC	10100713	12-Volt AC	50 Feet	1013600	—	1015100	10WS
10105799	1	120-Volt AC	10100713	12-Volt AC	50 Feet	—	1013200	1015100	10WS
10105800	2	120-Volt AC	10100713	12-Volt AC	50 Feet	—	1013200	1015100	10WS
10105801	3	120-Volt AC	10100713	12-Volt AC	50 Feet	—	1013200	1015100	10WS
10105802	4	120-Volt AC	10100713	12-Volt AC	50 Feet	—	1013200	1015100	10WS



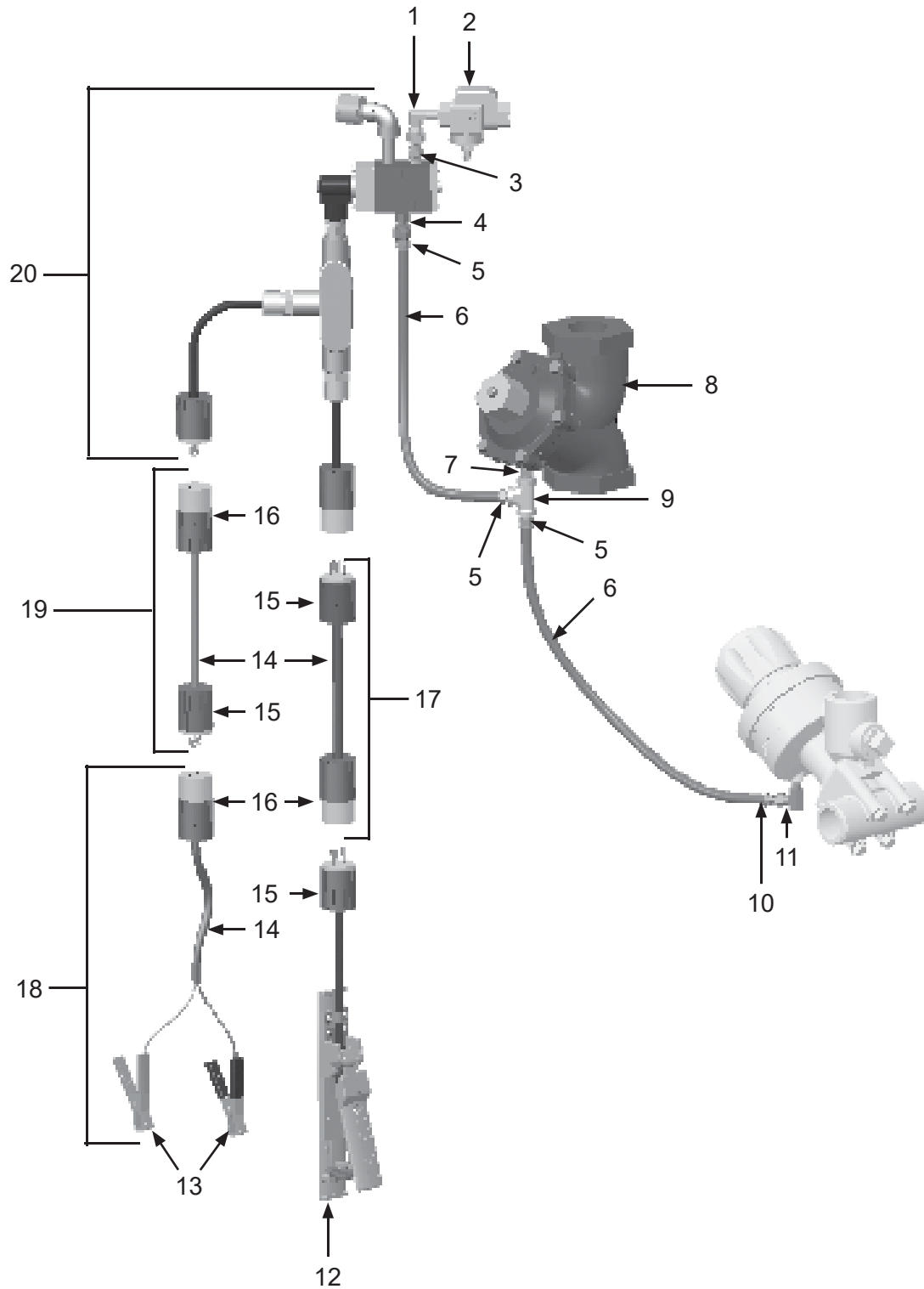
PART NUMBERS & SCHEMATICS

12-Volt DC Blastmaster® 130E Remote Control System

Item #	Part #	Description
Fig. 1		
—	10103835	12-Volt DC Blastmaster® 130E Remote Control System, High Flow GateKeeper – Complete
—	10105798	12-Volt DC Blastmaster® 130E Remote Control System, GateKeeper– Complete
1	1012326	1/4" NPT Swivel 90° Fitting
2	10WS	Watts Strainer
3	1017019	1/4" NPT Hex Nipple
4	10SME025	1/4" Straight Swivel
5	10PAF025	1/4" NPT x 1/4" Barb Push-On Hose Fitting <i>(Three Required)</i>
6	10AH025	1/4" Push-On Air Hose <i>(Per Foot)</i>
7	1017019	1/4" NPT x 1/4" NPT Hex Nipple <i>(For Use with 1-1/2" High Flow GateKeeper)</i>
—	10PVFIT1	1/4" x 1/8" Hex Union <i>(For Use with 1-1/2" GateKeeper)</i>
8	1013600	1-1/2" NPT High-flow GateKeeper Air Valve <i>(See Figure 9)</i>
—	1013200	1-1/2" NPT GateKeeper Air Valve <i>(See Figure 10)</i>
9	1011844	1/4" NPT Pipe Tee
10	10PAF0125	1/8" NPT x 1/4" Barb Push-On Air Hose Fitting
11	1014239	1/8" 90° Swivel Fitting
12	1015100	Blastmaster® 151E Remote Control Switch
13	1030718	Battery Clamps – pair
14	1015540	16/2 Power Cord <i>(Per Foot)</i>
15	1015555	3-prong Twist-Lock Plug – Male
16	1015556	3-prong Twist-Lock Plug – Female
17	1015545	50' of 16/2 SJ Power Cord with 3-prong Twist-Lock Plugs <i>(Includes Item #'s: 15, 16, and 14 (Quantity of 50 Feet))</i>
18	1015544	Battery Clamp Kit with 3-prong Twist-Lock Plug Installed <i>(Includes Item #'s: 13, 16, and 14 (Quantity of Two Feet))</i>
19	1015546	16/2 SJ Power Cord with 3-prong Twist-Lock Plugs Installed <i>(Includes Item #'s: 15, 16, and 14 (Quantity of 25 Feet))</i>
20	1019051	12-Volt DC 190 Electric Control Assembly <i>(See Figure 2)</i>
—	106M063	Part Numbers and Schematics Guide – Blastmaster® 151E Remote Control Switches
—	106M087	Part Numbers and Schematics Guide – Blastmaster® 130E Remote Control System
—	1090063	Operator's Manual – Blastmaster® 151E Remote Control Switches
—	1090087	Operator's Manual – Blastmaster® 130E Remote Control System
—	1091045	Hazard Identification Tag

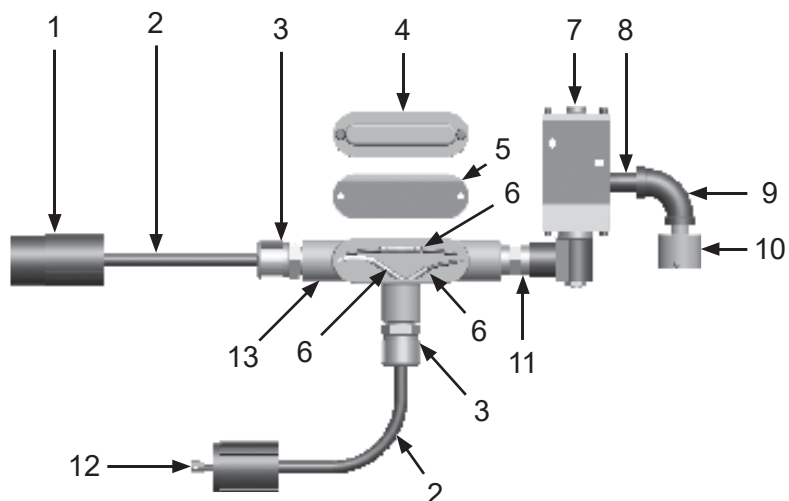
PART NUMBERS & SCHEMATICS

Figure 1: 12-Volt DC Blastmaster® 130E Remote Control System



PART NUMBERS & SCHEMATICS

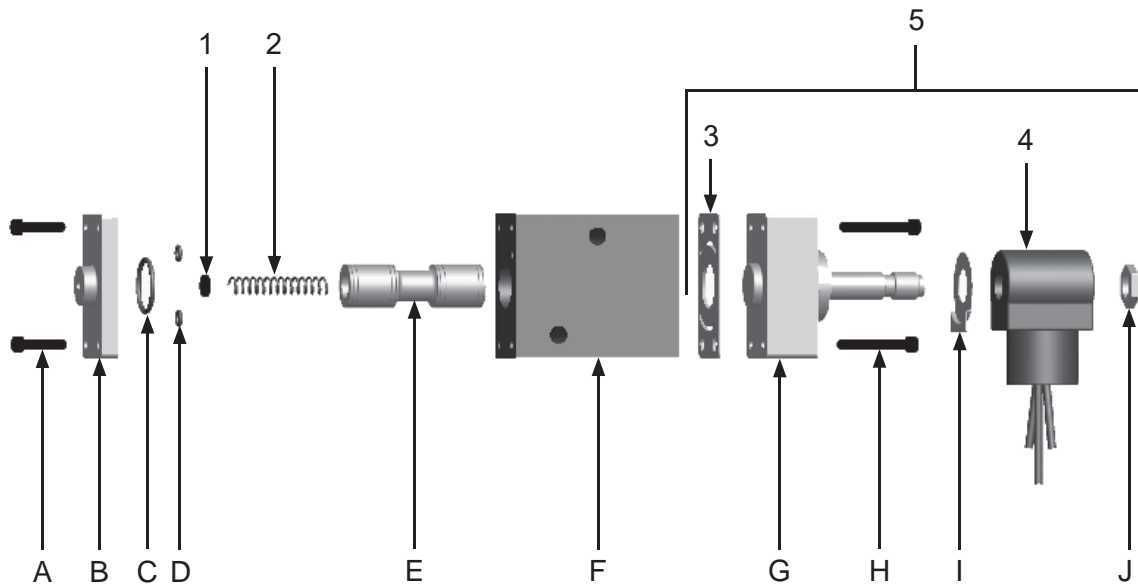
Figure 2: 12-Volt DC 190 Electric Control Assembly



Item #	Part #	Description
Fig. 2		
—	1019051	12-Volt DC 190 Electric Control Assembly – Complete
1	1015556	3-Prong Twist-Lock Plug – Female
2	1015540	16/2 Power Cord – Per Foot
3	1019021	Cord Grip (<i>Two Required</i>)
4	1019022	Conduit Box Cover
5	1019023	Conduit Box Cover Gasket
6	1030028	Butt Splicer (<i>Four Required</i>)
7	1019010	12-Volt DC Electric Solenoid – Complete
8	1011217	1/4" x 2" Pipe Nipple
9	1011832	1/4" NPT 90° Pipe Nipple
10	10DE025	Dust Eliminator
11	20100677	1/2" x 1/2" NPT Hex Nipple
12	1015555	3-Prong Twist-Lock Plug – Male
13	1019020	1/2" Tee Conduit Box

PART NUMBERS & SCHEMATICS

Figure 3: 12-Volt DC 190 Electric Solenoid



Item #	Part #	Description
—	1019010	12-Volt DC 190 Electric Solenoid — Normally-closed — Complete
1	1019029	Felt Filter
2	1019032	Spring
3	1019033	Gasket
4	1019039	12-Volt DC Coil
5	1019034	12-Volt DC Operator Assembly <i>(Includes Items: #3, #4, G, H, I, and J)</i>
—	1019030	Electric Solenoid Repair Kit <i>(Includes Items: #1, #2, #3, C, D, and E)</i>

* Items A–J are not available individually

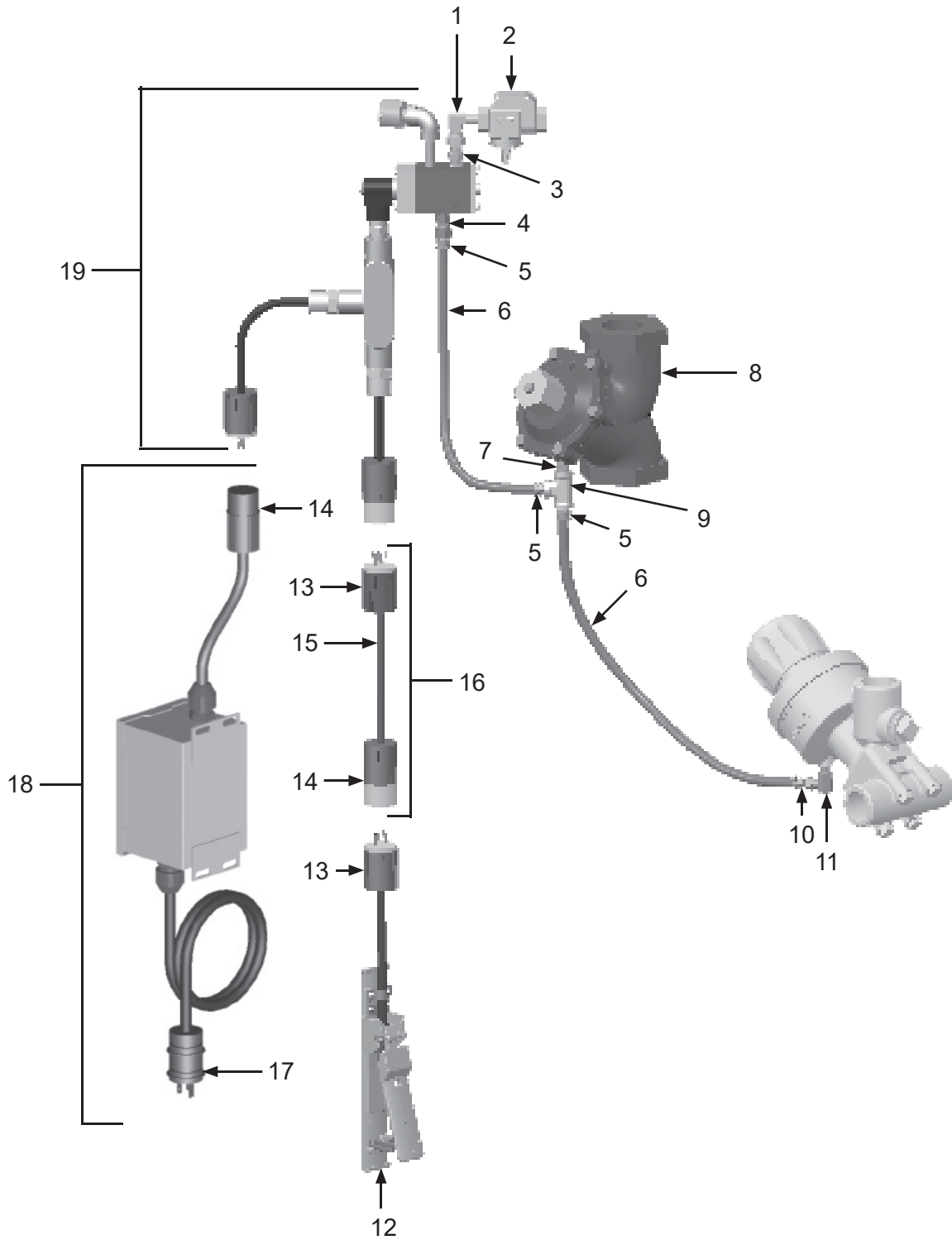
PART NUMBERS & SCHEMATICS

120-Volt AC Blastmaster® 130E Remote Control System

Item #	Part #	Description
Fig. 4		
—	10103836	120-Volt AC Blastmaster® 130E Remote Control System – Single Outlet Complete
1	1012326	1/4" NPT Swivel 90° Fitting
2	10WS	Watts Strainer
3	1017019	1/4" NPT Hex Nipple
4	10SME025	1/4" Straight Swivel
5	10PAF025	1/4" NPT x 1/4" Barb Push-On Hose Fitting <i>(Three Required)</i>
6	10AH025	1/4" Push-On Air Hose <i>(Per Foot)</i>
7	1017019	1/4" NPT x 1/4" NPT Hex Nipple <i>(For Use with 1-1/2" High Flow GateKeeper)</i>
—	10PVFIT1	1/4" x 1/8" Hex Union <i>(For Use with 1-1/2" GateKeeper)</i>
8	1013600	1-1/2" NPT High-flow GateKeeper Air Valve <i>(See Figure 9)</i>
—	1013200	1-1/2" NPT GateKeeper Air Valve <i>(See Figure 10)</i>
9	1011844	1/4" NPT Pipe Tee
10	10PAF0125	1/8" NPT x 1/4" Barb Push-On Air Hose Fitting
11	1014239	1/8" 90° Swivel Fitting
12	1015100	Blastmaster® 151E Remote Control Switch
13	1015555	3-Prong Twist-Lock Plug – Male <i>(Two Required)</i>
14	1015556	3-Prong Twist-Lock Plug – Female
15	1015540	16/2 SO Power Cord <i>(Per Foot)</i>
16	1015545	50' of 16/2 SJ Power Cord with 3-prong Twist-Lock Plugs Installed <i>(Includes Item #'s: 13,14, and 15 (Quantity of 50 Feet))</i>
17	1030026	120-Volt 3-prong Standard Male Plug
18	10100713	3 Amp 120-Volt AC to 12-Volt AC Power Converter <i>(Includes Item #'s: 14 and 17)</i>
19	1019052	12-Volt AC 190 Electric Control Assembly <i>(See Figure 2)</i>
—	106M063	Part Numbers and Schematics Guide – Blastmaster® 151E Remote Control Switches
—	106M087	Part Numbers and Schematics Guide – Blastmaster® 130E Remote Control System
—	1090063	Operator's Manual – Blastmaster® 151E Remote Control Switches
—	1090087	Operator's Manual – Blastmaster® 130E Remote Control System
—	1091045	Hazard Identification Tag

PART NUMBERS & SCHEMATICS

Figure 4: 120-Volt AC Blastmaster® 130E Remote Control System



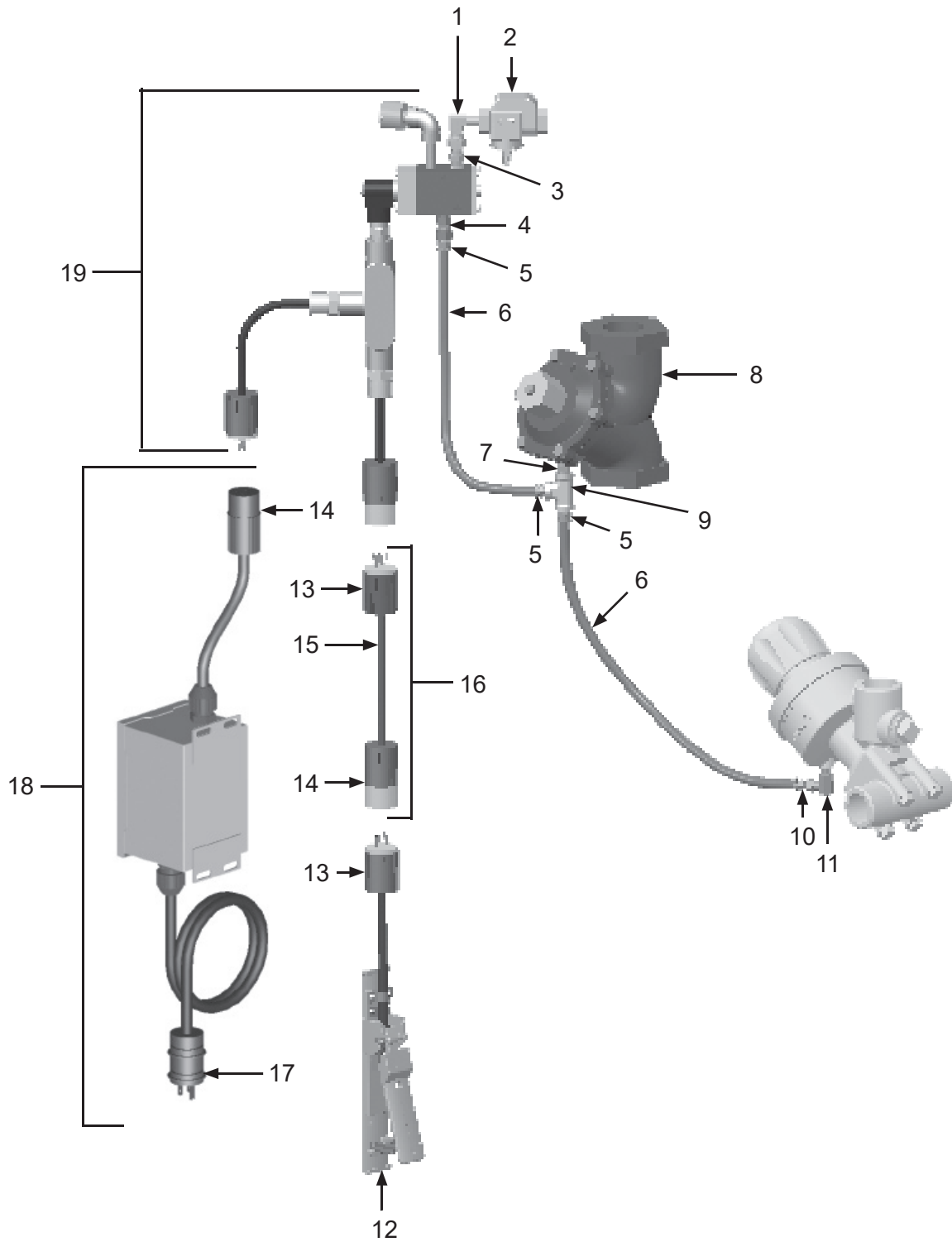
PART NUMBERS & SCHEMATICS

120-Volt AC Blastmaster® 130E Remote Control System

Item #	Part #	Description
Fig. 5		
—	10103870	120-Volt AC Blastmaster® 130E Remote Control System – 2-Outlet Complete
—	10103871	120-Volt AC Blastmaster® 130E Remote Control System – 3-Outlet Complete
—	10103872	120-Volt AC Blastmaster® 130E Remote Control System – 4-Outlet Complete
1	1012326	1/4" NPT Swivel 90° Fitting
2	10WS	Watts Strainer
3	1017019	1/4" NPT Hex Nipple
4	10SME025	1/4" Straight Swivel
5	10PAF025	1/4" NPT x 1/4" Barb Push-On Hose Fitting <i>(Three Required)</i>
6	10AH025	1/4" Push-On Air Hose <i>(Per Foot)</i>
7	1017019	1/4" NPT x 1/4" NPT Hex Nipple <i>(For Use with 1-1/2" High Flow GateKeeper)</i>
—	10PVFIT1	1/4" x 1/8" Hex Union <i>(For Use with 1-1/2" GateKeeper)</i>
8	1013600	1-1/2" NPT High-flow GateKeeper Air Valve <i>(See Figure 9)</i>
—	1013200	1-1/2" NPT GateKeeper Air Valve <i>(See Figure 10)</i>
9	1011844	1/4" NPT Pipe Tee
10	10PAF0125	1/8" NPT x 1/4" Barb Push-On Air Hose Fitting
11	1014239	1/8" 90° Swivel Fitting
12	1015100	Blastmaster® 151E Remote Control Switch
13	1015555	3-Prong Twist-Lock Plug – Male <i>(Two Required)</i>
14	1015556	3-Prong Twist-Lock Plug – Female
15	1015540	16/2 SO Power Cord <i>(Per Foot)</i>
16	1015545	50' of 16/2 SJ Electric Control Line with 3-prong Twist-Lock Plugs Installed <i>(Includes Item #'s: 13, 14, and 15 (Quantity of 50 Feet))</i>
17	1030026	120-Volt 3-prong Standard Male Plug
18	10100713	3 Amp 120-Volt AC to 12-Volt AC Power Converter <i>(Includes Item #: 17)</i>
19	1019052	12-Volt AC 190 Electric Control Assembly <i>(See Figure 6)</i>
—	106M063	Part Numbers and Schematics Guide – Blastmaster® 151E Remote Control Switches
—	106M087	Part Numbers and Schematics Guide – Blastmaster® 130E Remote Control System
—	1090063	Operator's Manual – Blastmaster® 151E Remote Control Switches
—	1090087	Operator's Manual – Blastmaster® 130E Remote Control System
—	1091045	Hazard Identification Tag

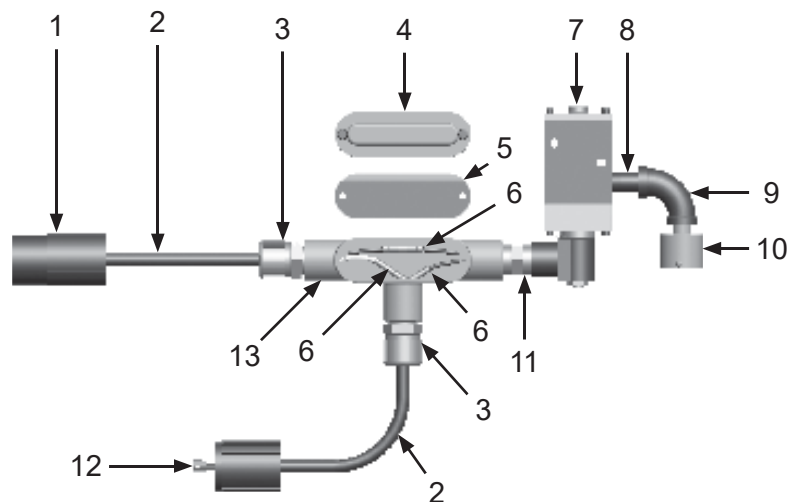
PART NUMBERS & SCHEMATICS

Figure 5: 120-Volt AC Blastmaster® 130E Remote Control System



PART NUMBERS & SCHEMATICS

Figure 6: 12-Volt AC 190 Electric Control Assembly



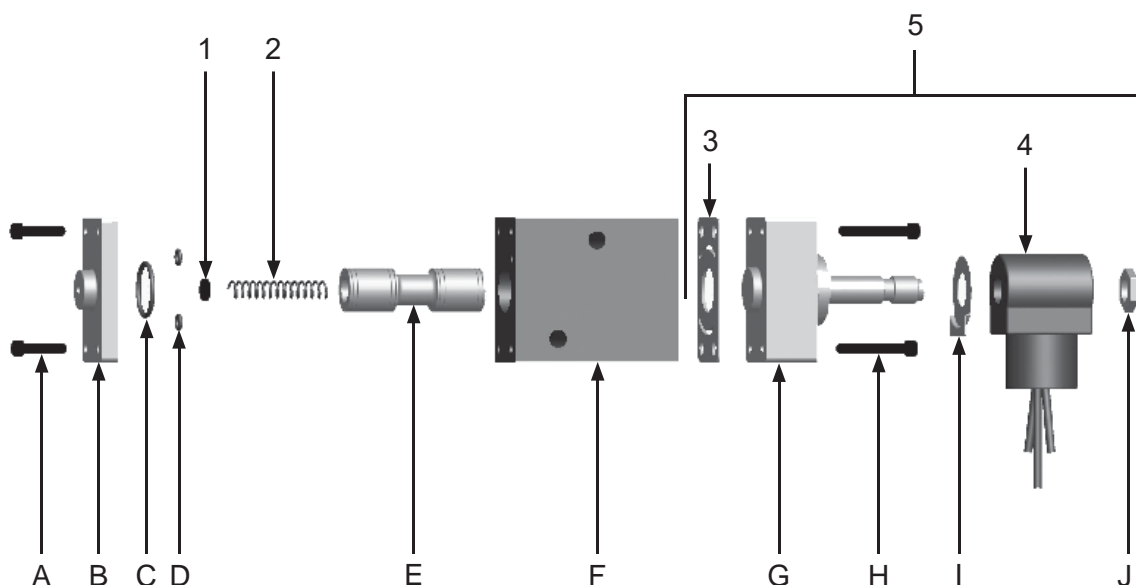
Item #	Part #	Description
--------	--------	-------------

Fig. 6

—	1019052	12-Volt AC 190 Electric Control Assembly – Complete
1	1015556	3-Prong Twist-Lock Plug – Female
2	1015540	16/2 Power Cord (Per Foot)
3	1019021	Cord Grip (<i>Two Required</i>)
4	1019022	Conduit Box Cover
5	1019023	Conduit Box Cover Gasket
6	1030028	Butt Splicer (<i>Four Required</i>)
7	1019011	12-Volt AC Electric Solenoid – Complete
8	1011217	1/4" x 2" Pipe Nipple
9	1011832	1/4" NPT 90° Pipe Nipple
10	10DE025	Dust Eliminator
11	20100677	1/2" x 1/2" NPT Hex Nipple
12	1015555	3-Prong Twist-Lock Plug – Male
13	1019020	1/2" Tee Conduit Box

PART NUMBERS & SCHEMATICS

Figure 7: 12-Volt AC 190 Electric Solenoid



Item #	Part #	Description
Fig. 7		
—	1019011	12-Volt AC 190 Electric Solenoid – Complete
1	1019029	Felt Filter
2	1019032	Spring
3	1019033	Gasket
4	1019040	12-Volt AC Coil
5	1019035	12-Volt AC Electric Operator Assembly (Includes Items: #3, #4, G, H, I, and J)
—	1019030	12-Volt AC Electric Solenoid Repair Kit (Includes Items: #1, #2, #3, C, D, and E)
* Items A–J are not available individually		

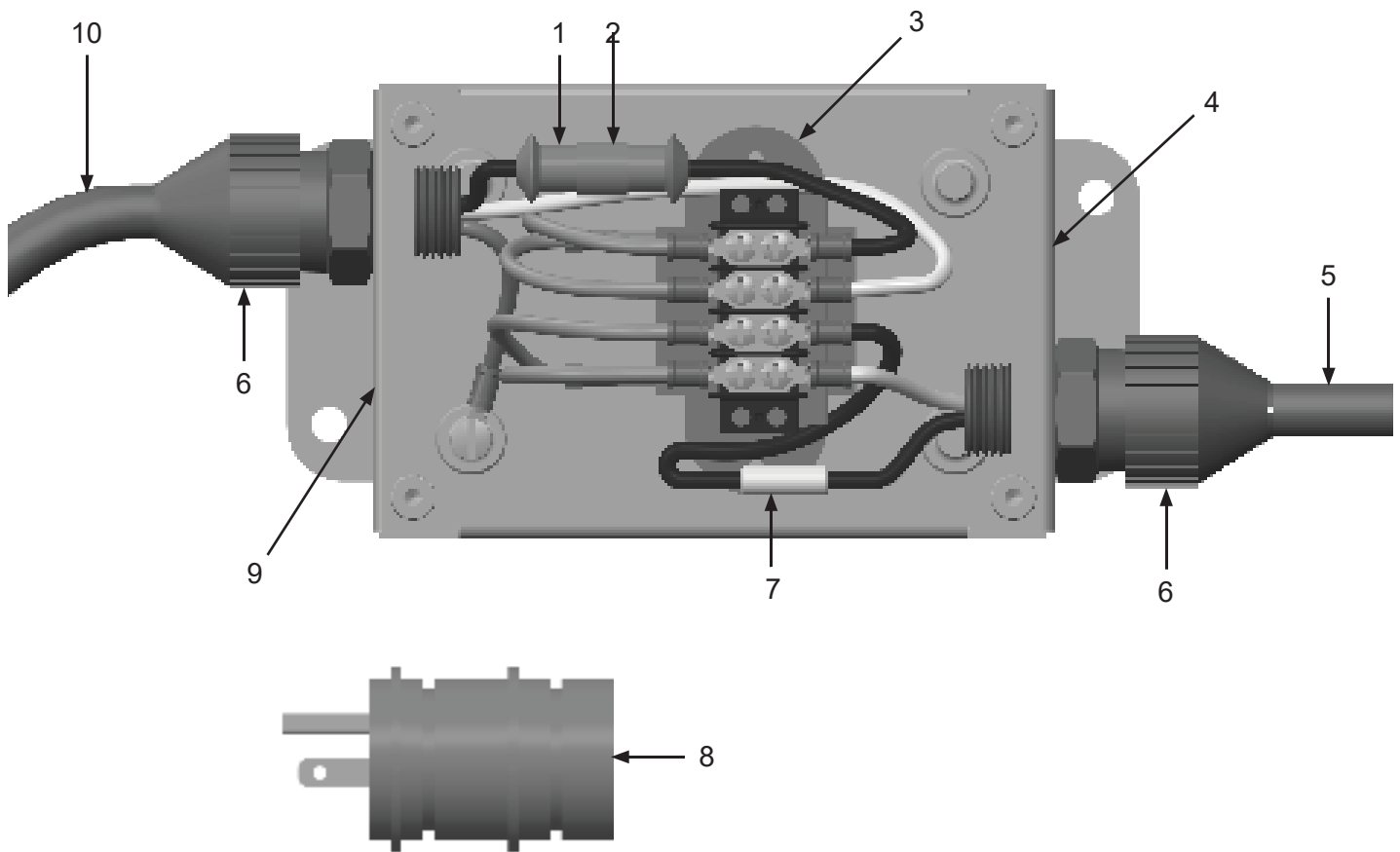
PART NUMBERS & SCHEMATICS

Blastmaster® 120-Volt AC to 12-Volt AC Power Converter

Item #	Part #	Description
Fig. 8		
—	1030020	Blastmaster® 120-Volt AC to 12-Volt AC Power Converter with 3 feet of 14/2 Electric Cord and Plug – Complete
1	1030123	3 Amp Fuse
2	1030023	In-Line Fuse Holder
3	1030022	Transformer – Blastmaster 120-Volt AC to 12-Volt AC Power Converter
4	1091067	Power-Out Decal (<i>Not Shown</i>)
5	1030013	14/2 SEOW Electric Cord (<i>Per Foot</i>)
6	1030025	Strain Relief (<i>Two Required</i>)
7	1030021	Resistor
8	1030026	3-prong, 120-Volt AC Plug – Male
9	1092014	Power-In Decal (<i>Not Shown</i>)
10	1015550	14/3 SEOW Electric Cord (<i>Per Foot</i>)
—	1091063	Hazard Identification Decal

PART NUMBERS & SCHEMATICS

Figure 8: Blastmaster® 120-Volt AC to 12-Volt AC Power Converter



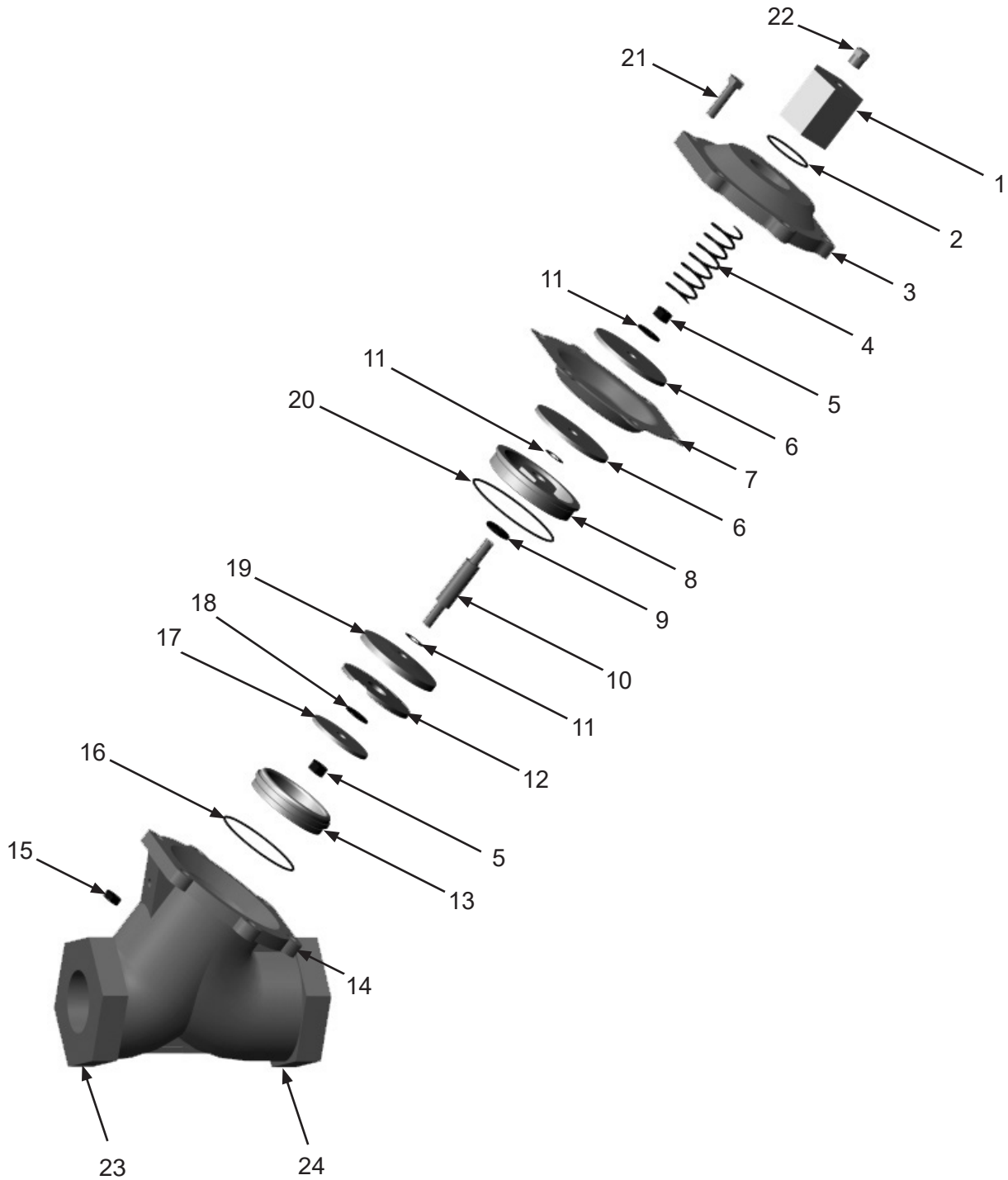
PART NUMBERS & SCHEMATICS

1-1/2" High-flow GateKeeper Air Valve

Item #	Part #	Description
Fig. 9		
—	1013600	1 1/2" NPT High-Flow GateKeeper Air Valve
1	1013322	Spring Retainer
2	1013326	O-ring
3	1013312	Cap
4	1013323	Spring
5	1013313	Lock Nut
6	1013315	Diaphragm Plate (<i>two required</i>)
7	1013303	Diaphragm
8	1013305	Retainer Bushing
9	1013306	O-ring
10	1013318	Shaft
11	1013302	Gasket (<i>two required</i>)
12	1013320	Disc
13	1013311	Lock Nut
13	1013309	Seat
14	1013328	Body
15	1013316	Nut (<i>six required</i>)
16	1013308	Seat O-Ring
17	1013310	Disc Plate
18	1013327	Brass Washer
19	1013307	Disc Retainer
20	1013304	O-ring
21	1013314	Cap Screw (<i>six required</i>)
22	1012905	1/8" Breather Muffler
23	1091050	Sticker - Air Outlet
24	1091051	Sticker - Air Inlet
—	1013301	1 1/2" NPT High-flow GateKeeper Air Valve Service Kit (Includes Item #'s: 5, 7, 9, 11, 12, 17, and 20)

PART NUMBERS & SCHEMATICS

Figure 9: 1-1/2" NPT High-flow GateKeeper Air Valve



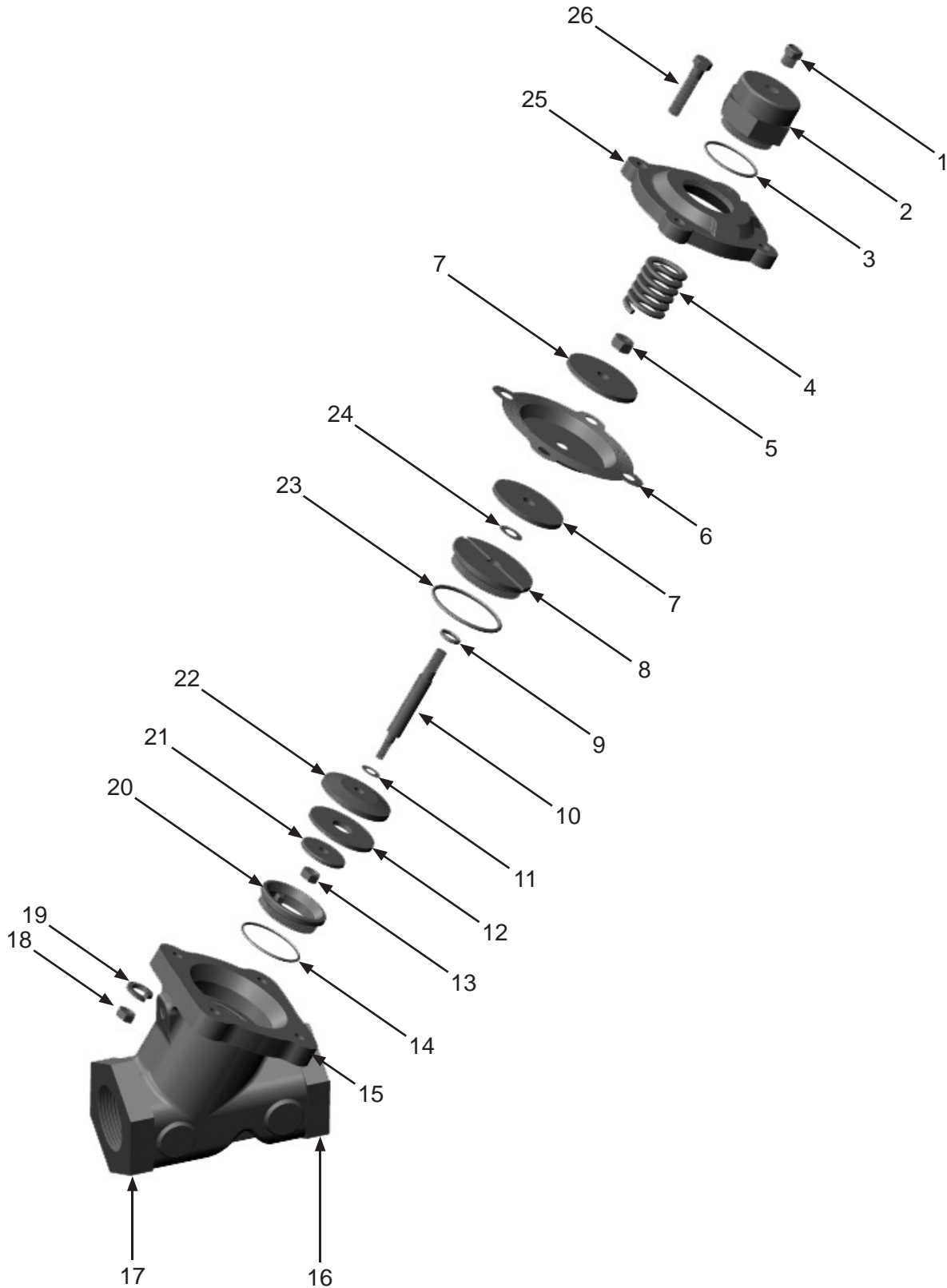
PART NUMBERS & SCHEMATICS

1-1/2" GateKeeper Air Valve

Item #	Part #	Description
Fig. 10		
—	1013200	1-1/2" GateKeeper Air Valve – Complete
1	1012905	1/8" Breather Muffler
2	1013122	Spring Retainer
3	1013121	Spring Retainer O-ring
4	1013123	Spring
5	1013113	5/16–24 Lock Nut
6	1013103	Diaphragm
7	1013115	Diaphragm Plate <i>(Two Required)</i>
8	1013105	Retainer Bushing
9	1013106	Retainer Bushing O-ring
10	1013118	Shaft
11	1013119	Shaft Gasket
12	1013120	Disc
13	1013111	Lock Nut
14	1013108	Seat O-ring
15	1013202	Body – 1-1/2" GateKeeper Air Valve
16	1091050	Sticker – AIR INLET
17	1091051	Sticker – AIR OUTLET
18	1013116	Lock Nut <i>(Four Required)</i>
19	1012153	Lock Washer <i>(Four Required)</i>
20	1013109	Seat
21	1013110	Disc Plate
22	1013107	Disc Retainer
23	1013104	O-ring
24	1013102	Gasket
25	1013112	Cap
26	1013114	Bolt <i>(Four Required)</i>
—	1013101	1-1/2" GateKeeper Air Valve Repair Kit <i>(Includes Item #'s: 5, 6, 11–14, 20, 23, and 24)</i>
—	1013124	Seat Tool
—	1013125	Retainer Bushing Tool
—	106M423	Part Numbers and Schematics Guide – GateKeeper Air Valves
—	1090011	Operator's Manual – Blastmaster® 130E Remote Control System

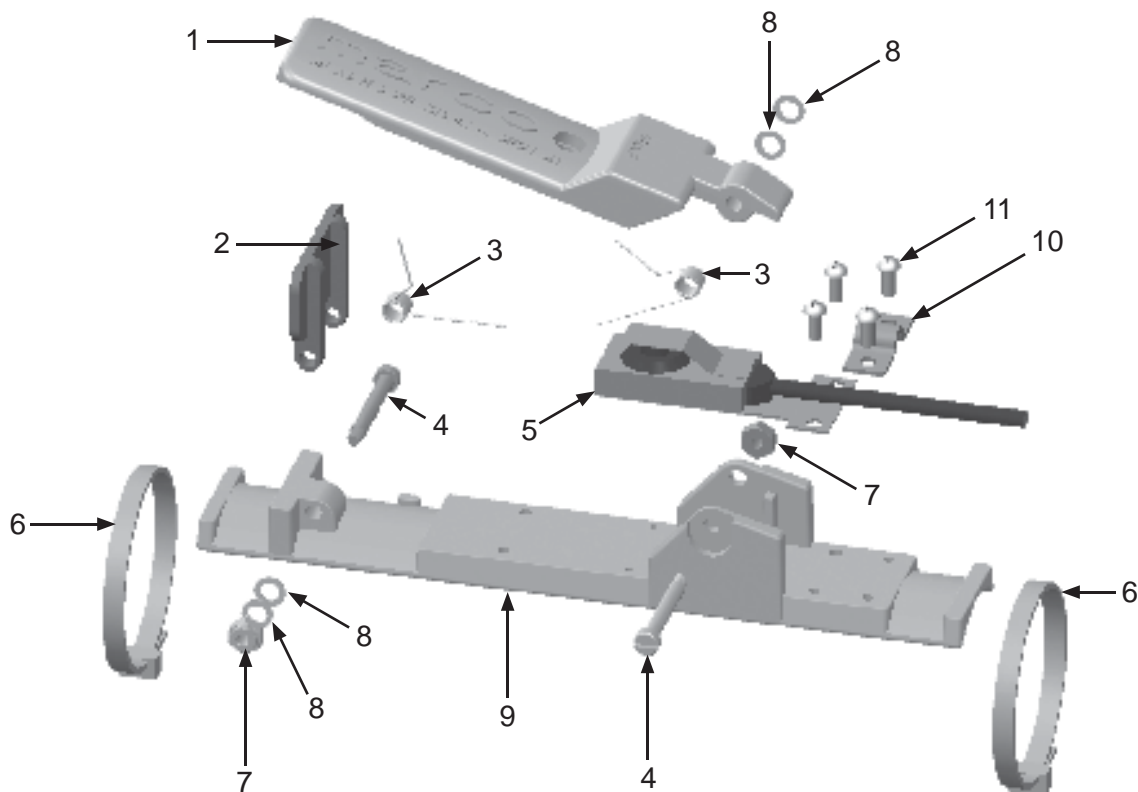
PART NUMBERS & SCHEMATICS

Figure 10: 1-1/2" GateKeeper Air Valve



PART NUMBERS & SCHEMATICS

Figure 11: Blastmaster® 151E Remote Control Switch



Item #	Part #	Description
--------	--------	-------------

Fig. 11

—	1015100	Blastmaster® 151E Remote Control Switch – Complete
---	----------------	---

1	1015001	Handle
---	---------	--------

2	1015003	Safety Tab
---	---------	------------

3	1015005	Spring (<i>Two Required</i>)
---	---------	--------------------------------

4	1015008	Shoulder Screw (<i>Two Required</i>)
---	---------	--

5	10104268	Switch with Cord
---	----------	------------------

6	1015015	Nylon Zip Tie - White (<i>Two Required</i>)
---	---------	---

7	1015006	8-32 UNC-2B Nylon Insert Lock Nut (<i>Two Required</i>)
---	---------	---

8	1015007	3/8" O.D. x 7/16" I.D. Washer (<i>Four Required</i>)
---	---------	--

9	1015002	Body
---	---------	------

10	1015101	Electric Cord Clamp
----	---------	---------------------

11	1015014	8-32 x 3/8" Phillips Head Screw (<i>Four Required</i>)
----	---------	--

—	105M063	Features and Specifications Guide – Blastmaster® 151E Remote Control Switch
---	---------	---

—	106M063	Part Numbers and Schematics Guide – Blastmaster® 151E Remote Control Switch
---	---------	---


—	1090063	Operator's Manual – Blastmaster® 151E Remote Control Switch
---	---------	---

—	1091045	Hazard Identification Tag
---	---------	---------------------------






OPTIONAL ACCESSORIES

Part Numbers	ELECTRIC CONTROL LINE			
	Gauge	# of Wires	Type	Length
1015540	16	2		Per Foot
1015701	16	3		Per Foot
1030013	14	2	SEOW	Per Foot
1015550	14	3	SEOW	Per Foot
1015554	14	4	SO	Per Foot
1015570	12	2	SO	Per Foot
1015571	12	3	SO	Per Foot
1015581	10	3	SO	Per Foot
1015580	10	4	SO	Per Foot
1015591	8	3	SO	Per Foot
1015590	8	4	SO	Per Foot
1015595	6	3	SO	Per Foot

OPTIONAL ACCESSORIES

		ELECTRIC CONTROL LINE WITH PLUGS						
		Gauge	# of Wires	2-Prong Male Twist-Lock Plug	2-Prong Female Twist-Lock Plug	3-Prong Male Twist-Lock Plug	3-Prong Female Twist-Lock Plug	Length
	Part Numbers							
	1015543	16	2	1015551	1015552	—	—	25 Feet
	1015542	16	2	1015551	1015552	—	—	50 Feet
	1015546	16	2	—	—	1015555	1015556	25 Feet
	1015545	16	2	—	—	1015555	1015556	50 Feet
	1015547	16	2	—	—	1015555	1015556	100 Feet
	1015748	16	3	—	—	1015555	1015556	13 Feet
	1015745	16	3	—	—	1015555	1015556	50 Feet
	1015747	16	3	—	—	1015555	1015556	110 Feet

OPTIONAL ACCESSORIES

		ELECTRIC CONTROL LINE PLUGS	
Part Numbers		Prong Style	Plug Style
	1015551	2-Prong Male	Twist-Lock
	1015552	2-Prong Female	Twist-Lock
	1015555	3-Prong Male	Twist-Lock
	1015556	3-Prong Female	Twist-Lock
	1030026	3-Prong Male	Standard

CONTACT CENTER

- 3425 East Locust Street
Davenport, IA 52803

ph: 800.BLAST.IT (800.252.7848)

ph: 563.324.2519

fax: 563.324.6258

REGIONAL BRANCH OFFICES

- **Iowa**
Davenport
- **Louisiana**
Gonzales
Lafayette
- **Ohio**
Youngstown
- **Texas**
Beaumont
Corpus Christi
Deer Park



ABRASIVES

BLASTING

COATING

DUST COLLECTION

RENTAL & SERVICE

SAFETY

VACUUMS

40+ NATIONWIDE SHIPPING LOCATIONS



★ Marco Regional Branch Offices
and Shipping Locations

● Direct Shipping Locations

CONTACT MARCO

800.BLAST.IT

(800.252.7848)

563.324.2519

FAX: 563.324.6258

WWW.MARCO.US

SALES@MARCO.US