

Company Profile

Allredi was formed in the early 2020, when two of the largest distributors in the blasting, coating, safety, and environmental industry, APE Companies and Marco Group International, joined forces. While the qualities both companies are known for have not changed, a lot about our business is new. New abilities. New agilities. New ways to help you win. This calls for a new name, Allredi.

This name exemplifies what we have become. It is completely oriented to the needs of our customers. To your needs. It says that when you call us for anything – products, service, expert advice, anything – you can consider it done. Or even better, Allredi done.

We are your right-now supplier. From skills to SKUs, we deliver the goods fast. So you can be more agile every minute, every day. This is who we are. This is what our new name means. Go ahead and expect excellence, because we're bringing it.

Our Mission and Vision

To be the industry's preferred partner in surface preparation solutions through unrivaled technical expertise, customer experience, product availability, and tailored service offerings.

The Allredi Difference

- **Industry Experience** – With Allredi on your team, you have access to expertise which can only come from decades of industry leadership. We have organized our engineering department, production specialists, customer operations, and safety support into a “Center of Competence.” As an Allredi customer, you have access to hundreds of years of cumulative experience related to your operations.
- **Manufacturing Excellence** – Allredi is a U.S. based manufacturer of equipment for the Surface Preparation and Protective Coatings industries. Allredi's engineers benchmark the industry to ensure that we design and manufacture superior products that set the “Gold Standard” for performance, safety, and quality.
- **Legendary Customer Service** – Allredi's legendary customer service team is staffed by friendly, highly-trained individuals who are focused on providing the highest level of product support, order accuracy, and customer satisfaction.
- **Product Availability** – We stock over 10,000 SKU's and have over 45 shipping locations to serve North American and International markets for all major brands of blasting, coating, environmental, and safety equipment. Allredi is your right-now supplier, so you can keep your projects moving. From our foundation of strong relationships, we have built a nationwide network that puts vast inventory and ready service close to our customers. We provide advanced expertise, and we deliver the goods fast – so you can easily access the products and services you need to me more agile every minute, every day.
- **Technology Leadership** – Our website provides: Operator's Manuals, Part Numbers and Schematics Guides, SDS information, and key product features and specifications, providing access to information 24/7.

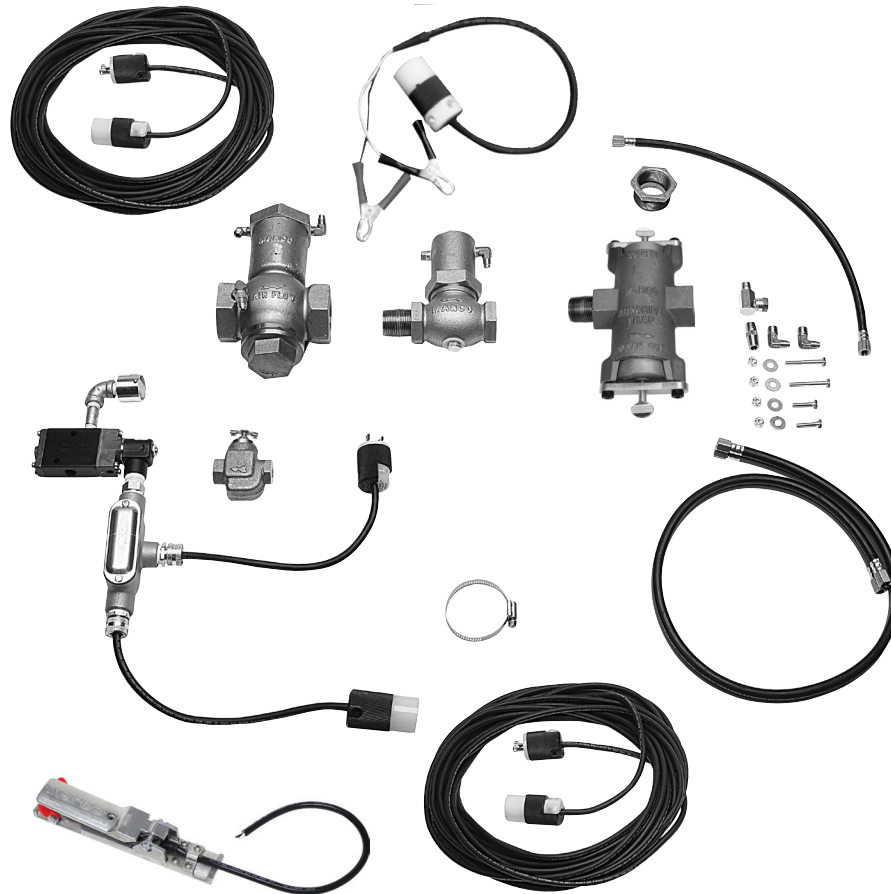
TABLE OF CONTENTS

Company Profile	2
Table of Contents	3
Part Numbers	4-5
Part Numbers & Schematics	6-18
12-Volt DC Marco® 125E Remote Control System	6-7
12-Volt DC 190 Electric Control Assembly	8
12-Volt DC 190 Electric Solenoid	9
120-Volt AC Marco® 125E Remote Control System	10-11
12-Volt AC 190 Electric Control Assembly	12
12-Volt AC 190 Electric Solenoid	13
120-Volt AC to 12-Volt AC Power Converter. . .	14
1-1/2" Inlet Valve	15
1" Outlet Valve	16
Abrasive Trap	17
Marco® 151E Remote Control Switch	18
Optional Accessories	19
Maintenance Notes	22

PART NUMBERS

12-VOLT DC Marco® 125E REMOTE CONTROL SYSTEM

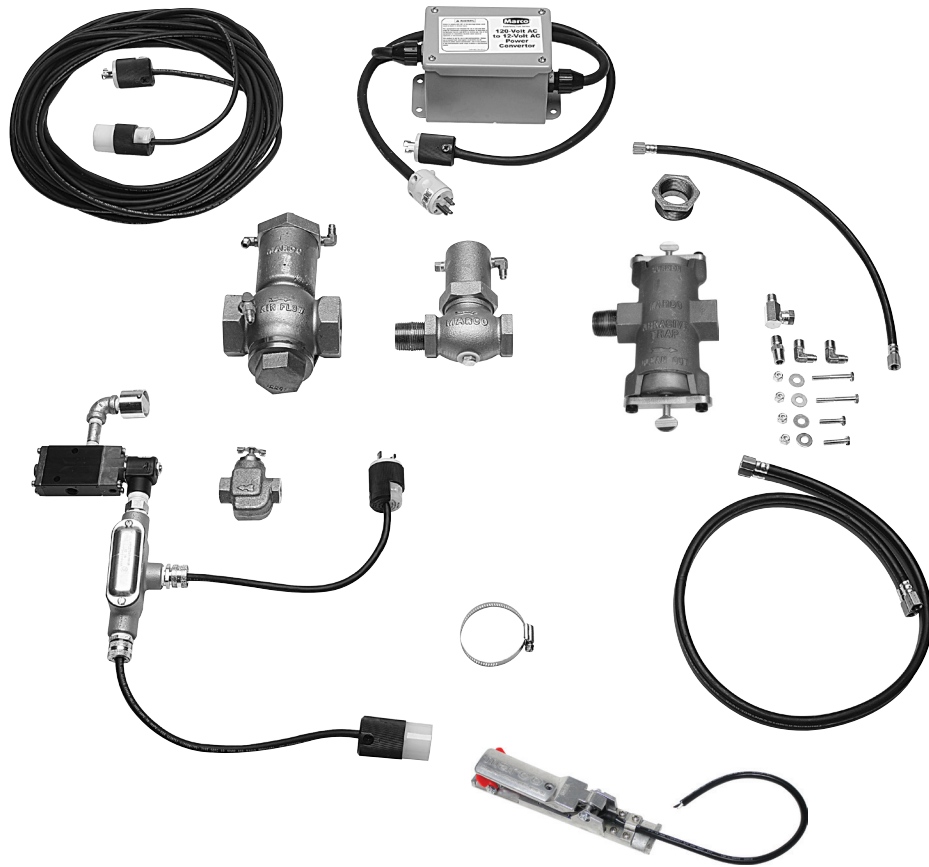
Part Number	Power Source	Battery Clamp Kit	190 Electric Control Assembly	Electric Control Lines	1-1/2" Inlet Valve	1" Outlet Valve	Abrasive Trap	Remote Control Switch	Watts Strainer
1012551	12-Volt DC	1015541	12-Volt DC	25 & 50 Feet	1012200	1012050	1012000	1015100	10WS



PART NUMBERS

120-VOLT AC Marco® 125E REMOTE CONTROL SYSTEM

Part Number	Power Source	120-Volt AC to 12-Volt AC Power Converter	190 Electric Control Assembly	Electric Control Line	1-1/2" Inlet Valve	1" Outlet Valve	Abrasive Trap	Remote Control Switch	Watts Strainer
1012552	120-Volt AC	1030020	12-Volt AC	50 Feet	1012200	1012050	1012000	1015100	10WS



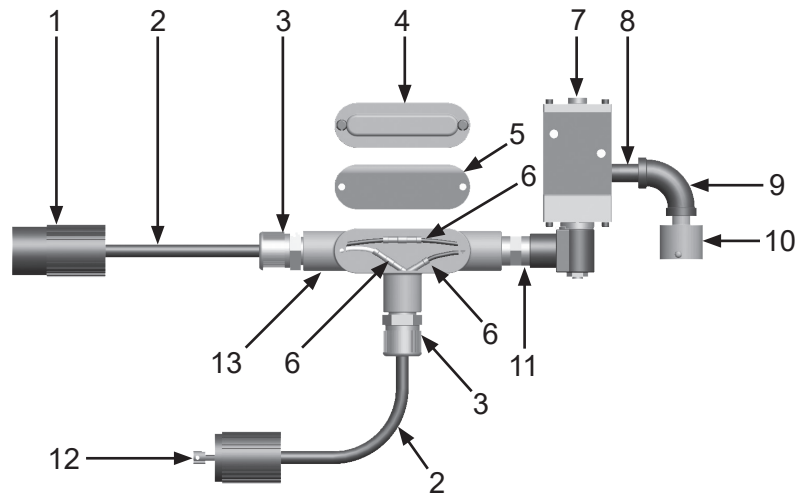
PART NUMBERS & SCHEMATICS

12-Volt DC Marco® 125E Remote Control System

Item #	Part #	Description
Fig. 1		
—	1012551	12-Volt DC Marco® 125E Remote Control System – Complete
1	1012326	1/4" NPT 90° Swivel Fitting
2	1017019	1/4" X 1/4" Hex Nipple
3	10WS	Watts Strainer
4	1012051	1/4" NPT Brass Elbow <i>(Two Required)</i>
5	1012000	Abrasive Trap – Complete <i>(see Figure 10)</i>
6	1012050	1" Outlet Valve – Complete <i>(see Figure 9)</i>
7	1011501	1-1/2" NPT (M) x 1-1/4" NPT (F) Bushing
8	10TL5	Coupled Pneumatic Control Line – 5 Feet
9	1012200	1-1/2" Inlet Valve – Complete <i>(see Figure 8)</i>
10	10CL18	Coupled Pneumatic Control Line – 18 inches
11	1015542	50 Feet of Electric Control Line with Male and Female Twist Lock Plugs <i>(Includes Item #'s: 12, 13, and 14 (Quantity of 50 Feet))</i>
12	1015551	2-prong Twist-Lock Plug – Male
13	1015552	2-prong Twist-Lock Plug – Female
14	1015540	16/2 Electric Cord – per foot
15	1015100	Marco® 151E Remote Control Switch – Complete <i>(see Figure 11)</i>
16	1030718	Battery Clamps (pair)
17	1015541	Battery Clamp Kit <i>(Includes Item #'s: 13, 14 (Quantity of Two Feet), and 16)</i>
18	1015543	25 Feet of Power Cord with Male and Female Twist-Lock Plugs <i>(Includes Item #'s: 12, 13, and 14 (Quantity of 25 Feet))</i>
19	1019001	12-Volt DC 190 Electric Control Assembly, 2-Prong <i>(See Figure 2)</i>
—	106M063	Part Numbers & Schematics Guide – Marco® 151E Remote Control Switch
—	106M088	Part Numbers & Schematics Guide – Marco® 125E Remote Control System
—	1090063	Operator's Manual – Marco® 151E Remote Control Switches
—	1090088	Operator's Manual – Marco® 125E Remote Control System

PART NUMBERS & SCHEMATICS

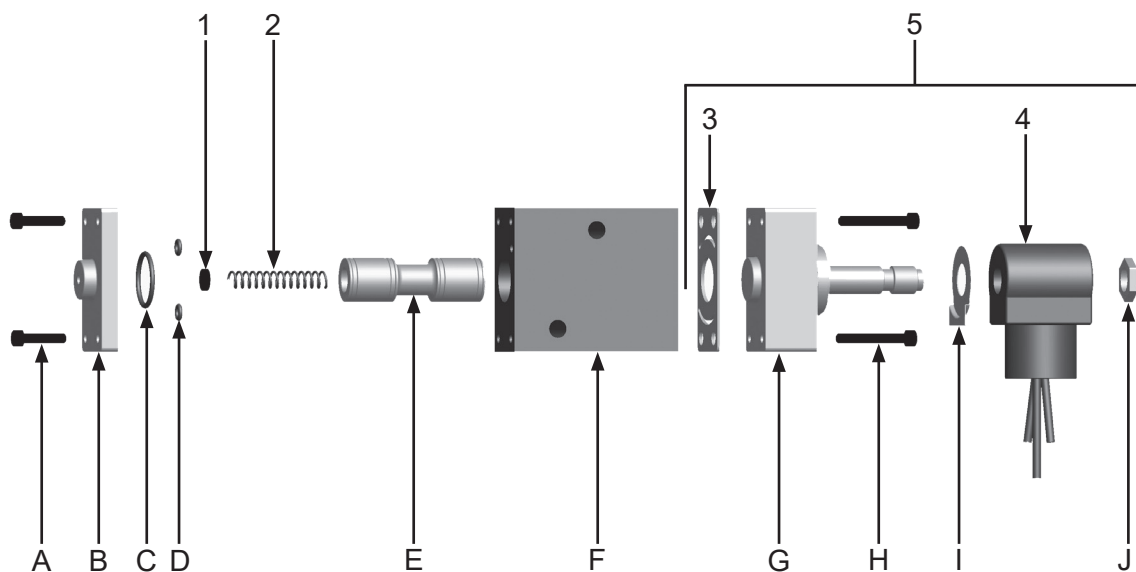
Figure 2: 12-Volt DC 190 Electric Control Assembly



Item #	Part #	Description
Fig. 2		
—	1019001	12-Volt DC 190 Electric Control Assembly – Complete
1	1015552	2-prong Twist-Lock Plug – Female
2	1015540	16/2 Electric Cord – per foot
3	1019021	Cord Grip (<i>Two Required</i>)
4	1019022	Conduit Box Cover
5	1019023	Conduit Box Cover Gasket
6	1030028	Butt Splicer
7	1019010	12-Volt DC Electric Solenoid – Complete (<i>see Figure 3</i>)
8	1011217	1/4" x 2" Pipe Nipple
9	1011832	1/4" NPT 90° Pipe Nipple
10	10DE025	Dust Eliminator
11	20100677	1/2" x 1/2" NPT Hex Nipple
12	1015551	2-prong Twist-Lock Plug – Male
13	1090020	1/2" Tee Conduit Box

PART NUMBERS & SCHEMATICS

Figure 3: 12-Volt DC 190 Electric Solenoid



Item #	Part #	Description
--------	--------	-------------

Fig. 3

—	1019010	12-Volt DC 190 Electric Solenoid – Complete
---	----------------	--

1	1019029	Felt Filter
---	---------	-------------

2	1019032	Spring
---	---------	--------

3	1019033	Gasket
---	---------	--------

4	1019039	12-Volt DC Coil
---	---------	-----------------

5	1019034	12-Volt DC Operator Assembly
---	---------	------------------------------

(Includes Items: #3, #4, G, H, I, and J)

—	1019030	Electric Solenoid Repair Kit
---	---------	------------------------------

(Includes Items: #1, #2, #3, C, D, and E)

** Items A–J are not available individually*

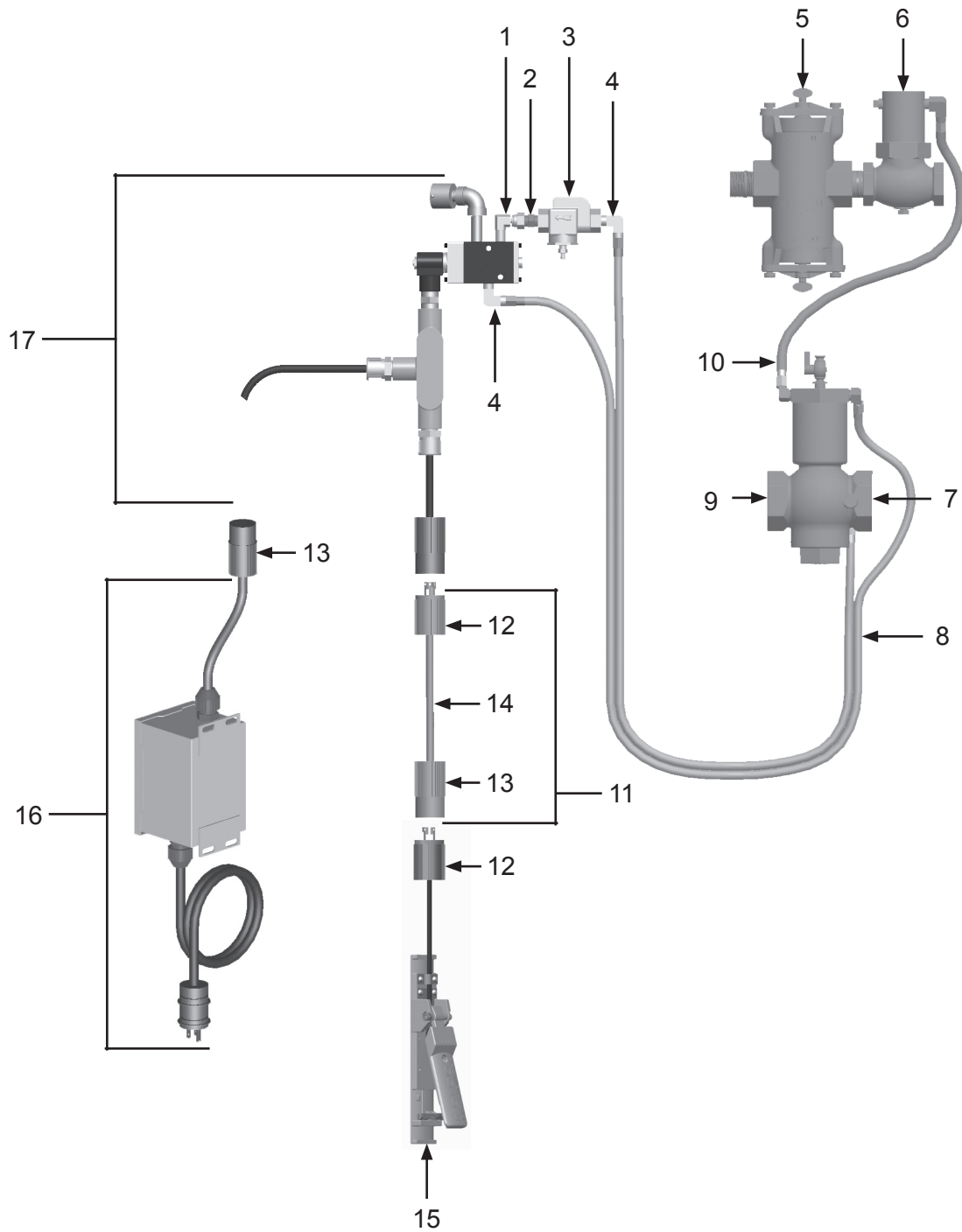
PART NUMBERS & SCHEMATICS

120-Volt AC Marco® 125E Remote Control System

Item #	Part #	Description
Fig. 4		
—	1012552	120-Volt AC Marco® 125E Remote Control System – Complete
1	1012326	1/4" NPT 90° Swivel Fitting
2	1017019	1/4" X 1/4" Hex Nipple
3	10WS	Watts Strainer
4	1012051	1/4" NPT Brass Elbow <i>(Two Required)</i>
5	1012000	Abrasive Trap – Complete <i>(see Figure 10)</i>
6	1012050	1" Outlet Valve – Complete <i>(see Figure 9)</i>
7	1011501	1-1/2" NPT (M) x 1-1/4" NPT (F) Bushing
8	10TL5	Coupled Pneumatic Control Line – 5 Feet
9	1012200	1-1/2" Inlet Valve – Complete <i>(see Figure 8)</i>
10	10CL18	Coupled Pneumatic Control Line – 18 inches
11	1015542	50 Feet of Electric Control Line with Male and Female Twist-Lock Plugs <i>(Includes Item #'s: 12, 13, and 14 (Quantity of 50 Feet))</i>
12	1015551	2-prong Twist-Lock Plug – Male
13	1015552	2-prong Twist-Lock Plug – Female
14	1015540	16/2 Electric Control Line – per foot
15	1015100	Marco® 151E Remote Control Switch – Complete
16	1030020	Marco 120-Volt AC to 12-Volt AC Power Converter <i>(see Figure 7)</i>
17	1019002	12-Volt AC 190 Electric Control Assembly <i>(see Figure 5)</i>
—	106M063	Part Numbers & Schematics Guide – Marco® 151E Remote Control Switch
—	106M088	Part Numbers & Schematics Guide – Marco® 125E Remote Control System
—	1090063	Operator's Manual – Marco® 151E Remote Control Switches
—	1090088	Operator's Manual – Marco® 125E Remote Control System

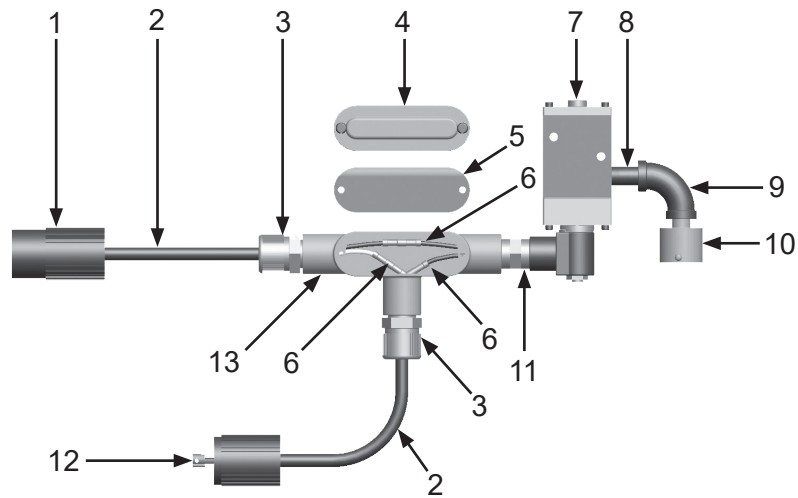
PART NUMBERS & SCHEMATICS

Figure 4: 120-Volt AC Marco® 125E Remote Control System



PART NUMBERS & SCHEMATICS

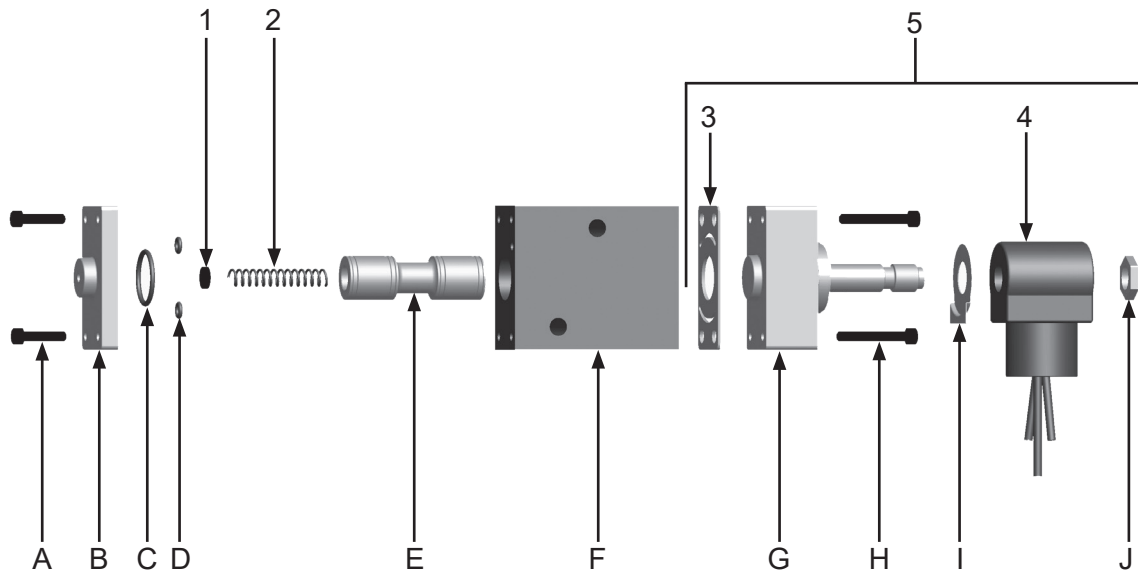
Figure 5: 12-Volt AC 190 Electric Control Assembly



Item #	Part #	Description
Fig. 5		
—	1019002	12-Volt AC 190 Electric Control Assembly – Complete
1	1015552	2-prong Twist-Lock Plug – Female
2	1015540	16/2 Power Cord – per foot
3	1019021	Cord Grip (<i>Two Required</i>)
4	1019022	Conduit Box Cover
5	1019023	Conduit Box Cover Gasket
6	1030028	Butt Splicer
7	1019011	12-Volt AC Electric Solenoid – Complete (<i>see Figure 6</i>)
8	1011217	1/4" x 2" Pipe Nipple
9	1011832	1/4" NPT 90° Pipe Nipple
10	10DE025	Dust Eliminator
11	20100677	1/2" x 1/2" NPT Hex Nipple
12	1015551	2-prong Twist-Lock Plug – Male
13	1090020	1/2" Tee Conduit Box

PART NUMBERS & SCHEMATICS

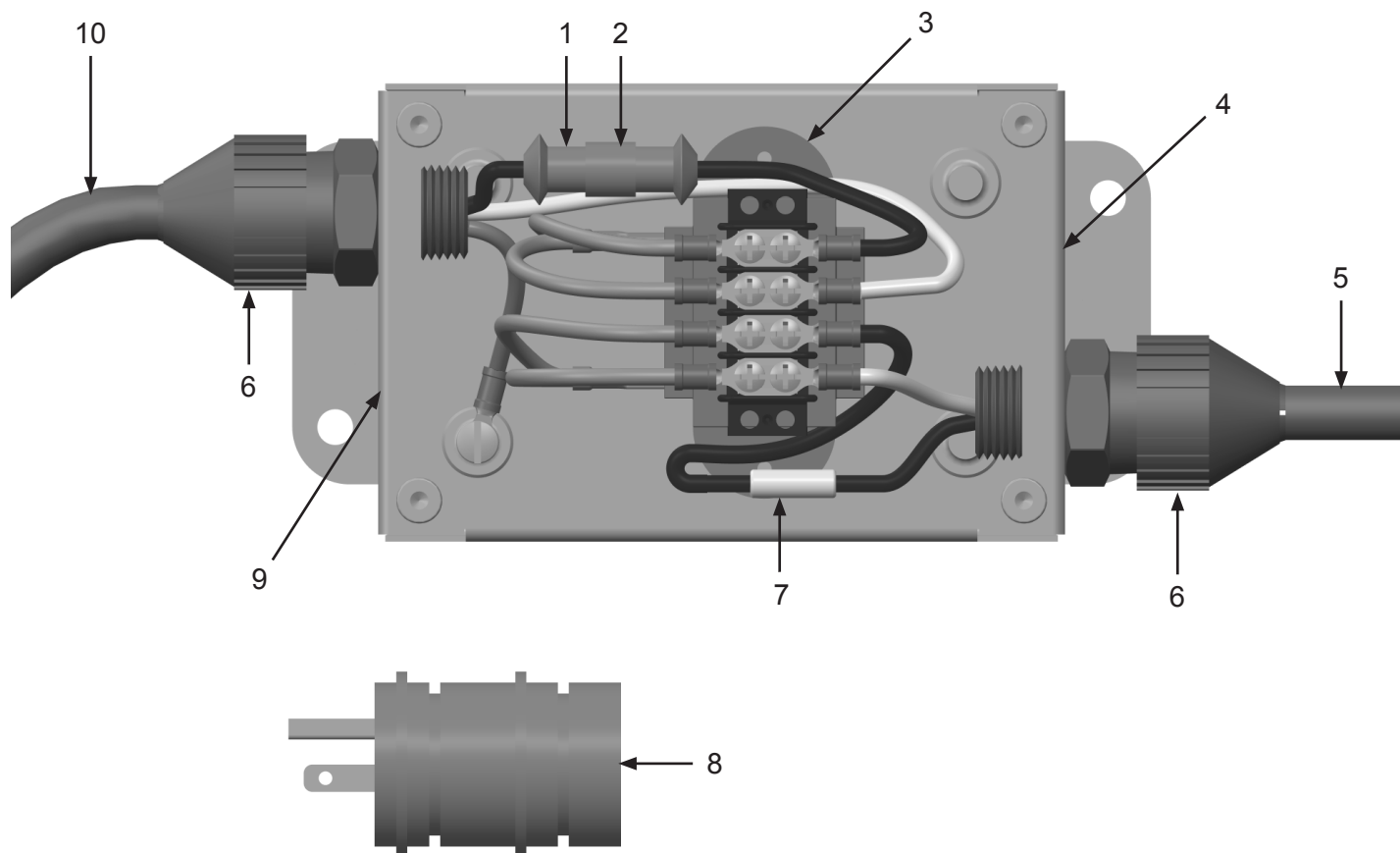
Figure 6: 12-Volt AC 190 Electric Solenoid



Item #	Part #	Description
Fig. 6		
—	1019011	12-Volt AC 190 Electric Solenoid – Complete
1	1019029	Felt Filter
2	1019032	Spring
3	1019033	Gasket
4	1019040	12-Volt AC Coil
5	1019035	12-Volt AC Electric Operator Assembly (Includes Items: #3, #4, G, H, I, and J)
—	1019030	12-Volt AC Electric Solenoid Repair Kit (Includes Items: #1, #2, #3, C, D, and E)
* Items A–J are not available individually		

PART NUMBERS & SCHEMATICS

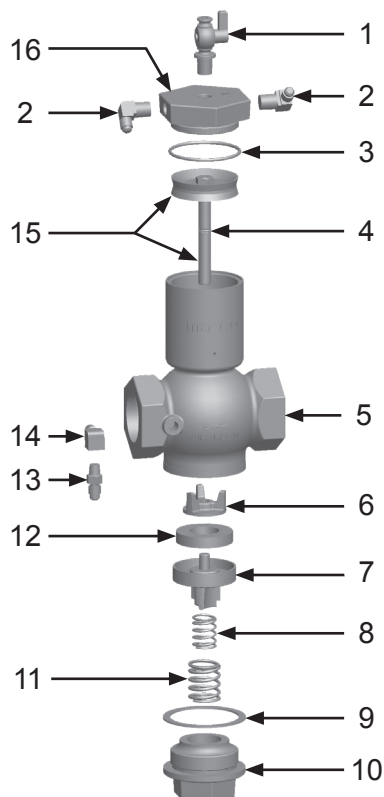
Figure 7: 120-Volt AC to 12-Volt AC Power Converter



Item #	Part #	Description
Fig. 7		
—	1030020	Marco® 120-Volt AC to 12-Volt AC Power Converter with 3 feet of 14/2 Electric Cord and Plug – Complete
1	1030123	3 Amp Fuse
2	1030023	In-Line Fuse Holder
3	1030022	Transformer – Marco 120-Volt AC to 12-Volt AC Power Converter
4	1091067	Power-Out Decal (<i>Not Shown</i>)
5	1030013	14/2 SEOW Electric Cord (<i>Per Foot</i>)
6	1030025	Strain Relief (<i>Two Required</i>)
7	1030021	Resistor
8	1030026	3-prong, 120-Volt AC Plug – Male
9	1092014	Power-In Decal (<i>Not Shown</i>)
10	1015550	14/3 SEOW Electric Cord (<i>Per Foot</i>)
—	1091063	Hazard Identification Decal

PART NUMBERS & SCHEMATICS

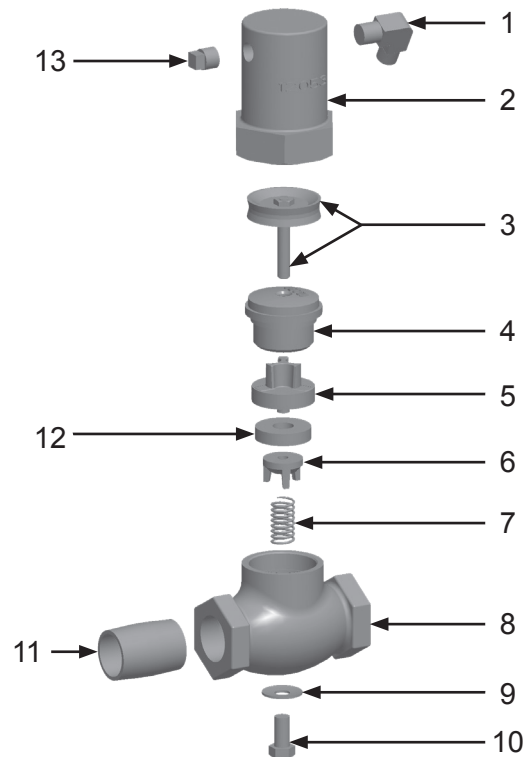
Figure 8: 1-1/2" Inlet Valve



Item #	Part #	Description
Fig. 8		
—	1012200	1-1/2" Inlet Valve – Complete
1	1012101	1/4" NPT Petcock
2	1012051	1/4" NPT Brass Elbow <i>(Two Required)</i>
3	1012213	1/8" x 2-1/2" O-ring
4	1012208	1/16" x 7/16" O-ring
5	1012204	1-1/2" Body
6	1012207	1-1/2" Plug Washer Retainer
7	1012205	1-1/2" Plug
8	1012105	5/8" x 1-11/16" Inner Spring
9	1012202	1-1/2" Bottom Cap Gasket
10	1012201	1-1/2" Bottom Cap
11	1012203	7/8" x 2-1/16" Outer Spring
12	1012206	1-1/2" Plug Washer
13	1012103	1/8" Adapter with 1/16" Restrictor Port
14	1012113	1/8" Street Elbow
15	1012209	Piston and Rod Assembly
16	1012214	1-1/2" Cylinder Cap
—	1012215	1-1/2" Inlet Valve Repair Kit <i>(Includes Item #'s: 3,4,8,9,11, and 12 (Quantity of Two))</i>

PART NUMBERS & SCHEMATICS

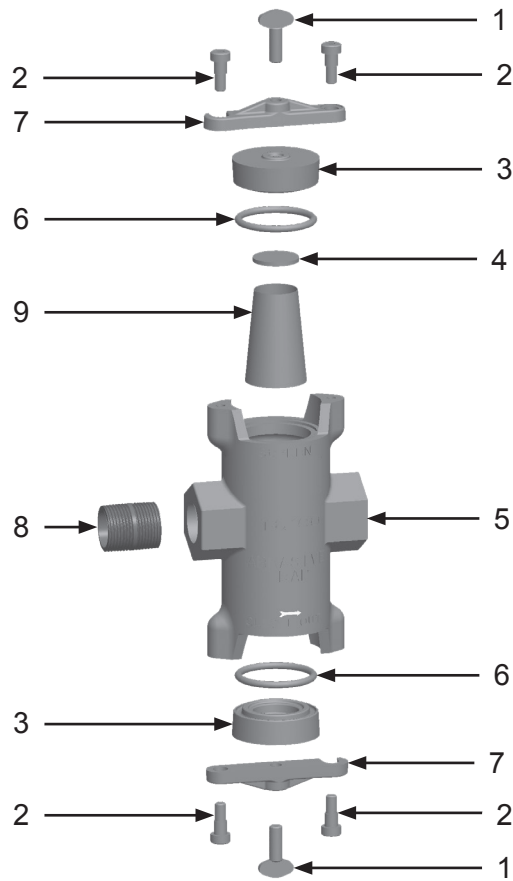
Figure 9: 1" Outlet Valve



Item #	Part #	Description
Fig. 9		
—	1012050	1" Outlet Valve – Complete
1	1012051	1/4" x 1/4" Brass Elbow
2	1012053	Bonnet
3	1012054	Piston and Rod Assembly
4	1012058	Plug and Spindle Guide
5	1012059	Plug
6	1012061	Plug Washer Retainer
7	1012063	7/16" x 1-5/8" Spring
8	1012062	Body
9	1012064	3/8" Nylon Washer
10	1012065	3/8" x 3/4" Bolt
11	1012151	1" NPT Close Nipple
12	1012060	Plug Washer
13	1012052	1/4" NPT Pipe Plug
—	1012066	1" Outlet Valve Repair Kit (Includes Item #'s: 5,6,7,9,10, and 12 (Quantity of Two))

PART NUMBERS & SCHEMATICS

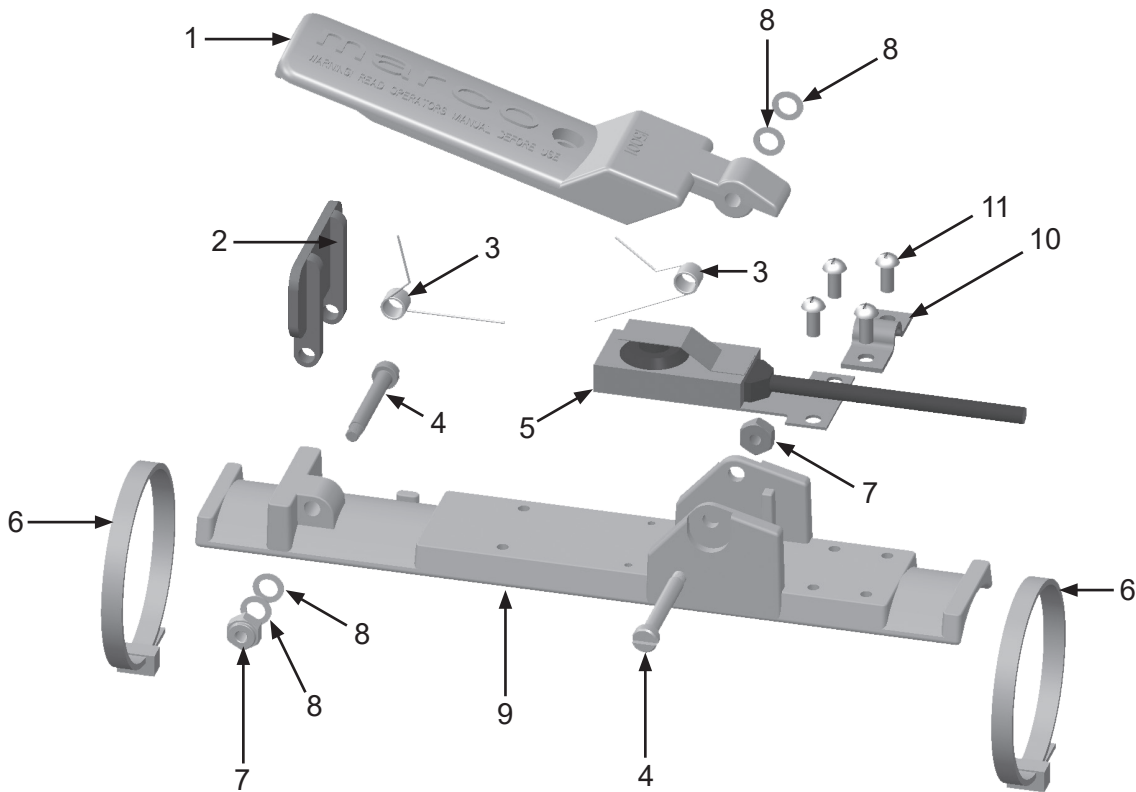
Figure 10: Abrasive Trap



Item #	Part #	Description
Fig. 10		
—	1012000	Abrasive Trap – Complete
1	1012006	Thumb Screw (Two Required)
2	1012007	3/8" x 3/8" Shoulder Bolt (Four Required)
3	1012003	Abrasive Trap Cap (Two Required)
4	1012008	Abrasive Trap Screen Gasket
5	1012004	Abrasive Trap Body
6	1012002	Abrasive Trap O-ring (Two Required)
7	1012005	Cap Lock Bar (Two Required)
8	1012151	1" NPT Close Nipple
9	1012001	Abrasive Trap Screen
—	1012009	Abrasive Trap Repair Kit (Includes Item #'s: 4,6 (Quantity of Two), and 9 (Quantity of Three))

PART NUMBERS & SCHEMATICS

Figure 11 Marco® 151E Remote Control Switch



Item #	Part #	Description
--------	--------	-------------

Fig. 11

—	1015100	Marco® 151E Remote Control Switch – Complete
1	1015001	Handle
2	1015003	Safety Tab
3	1015005	Spring (<i>Two Required</i>)
4	1015008	Shoulder Screw (<i>Two Required</i>)
5	10104268	Switch with Cord
6	1015015	Nylon Zip Tie - White (<i>Two Required</i>)
7	1015006	8-32 UNC-2B Nylon Insert Lock Nut (<i>Two Required</i>)
8	1015007	3/8" O.D. x 7/16" I.D. Washer (<i>Four Required</i>)
9	1015002	Body
10	1015101	Electric Cord Clamp
11	1015014	8-32 x 3/8" Phillips Head Screw (<i>Four Required</i>)
—	106M063	Part Numbers and Schematics Guide – Marco® 151E Remote Control Switch
—	1090063	Operator's Manual — Marco® 151E Remote Control Switch
—	1091045	Hazard Identification Tag









OPTIONAL ACCESSORIES








ELECTRIC CONTROL LINE

Part Numbers	Gauge	# of Wires	Type	Length
1015540	16	2		Per Foot
1015701	16	3		Per Foot
1030013	14	2	SEOOW	Per Foot
1015550	14	3	SEOOW	Per Foot
1015554	14	4	SEOOW	Per Foot
1015570	12	2	SOOW	Per Foot
1015571	12	3	SJEOOW	Per Foot
1015581	10	3	SEOOW	Per Foot
1015580	10	4	SEOOW	Per Foot
1015591	8	3	SEOOW	Per Foot
1015590	8	4	SEOOW	Per Foot
1015595	6	3	SEOOW	Per Foot

OPTIONAL ACCESSORIES

		ELECTRIC CONTROL LINE WITH PLUGS						
Part Numbers	Gauge	# of Wires	2-Prong Male Twist-Lock Plug	2-Prong Female Twist-Lock Plug	3-Prong Male Twist-Lock Plug	3-Prong Female Twist-Lock Plug	Length	
	1015543	16	2	1015551	1015552	—	—	25 Feet
	1015542	16	2	1015551	1015552	—	—	50 Feet
	1015546	16	2	—	—	1015555	1015556	25 Feet
	1015545	16	2	—	—	1015555	1015556	50 Feet
	1015547	16	2	—	—	1015555	1015556	100 Feet
	1015748	16	3	—	—	1015555	1015556	13 Feet
	1015745	16	3	—	—	1015555	1015556	50 Feet
	1015747	16	3	—	—	1015555	1015556	110 Feet

OPTIONAL ACCESSORIES

		ELECTRIC CONTROL LINE PLUGS	
Part Numbers		Prong Style	Plug Style
	1015551	2-Prong Male	Twist-Lock
	1015552	2-Prong Female	Twist-Lock
	1015555	3-Prong Male	Twist-Lock
	1015556	3-Prong Female	Twist-Lock
	1030026	3-Prong Male	Standard



ALLREDI THERE

Serving these industries: Bridge, Pipeline, Tank & Tower, Concrete Services, Rail, Shipyard & Marine, Pools & Fountains and Foundry

UNITED STATES

Pasadena, TX (Headquarters)
844.361.7038

Beaumont, TX
409.722.1284

Bristol, PA
215.826.8080

Corpus Christi, TX
361.887.2038

Davenport, IA
563.324.2519

Deer Park, TX
(Service & Rental Location)
281.930.0905

Duluth, GA
800.535.4564

Gonzales, LA
225.647.7575

Harvey, LA
504.367.8090

Houma, LA
985.580.4273

Lafayette, LA
337.267.1440

Theodore, AL
251.338.7525

CANADA

Calgary, Alberta
403.279.1924

Coquitlam, BC
604.464.6979

Edmonton, Alberta
780.468.2588 (Manus)
780.425.5510 (Mod-U-Blast)

Hamilton, Ontario
905.527.6000 / 888.794.5665

Mississauga, Ontario
905.890.5837

Winnipeg, Manitoba
204.256.3324

800-252-7848 / WWW.ALLREDI-US.COM

*Allredi™ and Marco® are registered trademarks of Allredi, LLC.
All other brand names or marks are used for identification purposes and are trademarks of their respective owners.*

