



AIR SYSTEMS® INTERNATIONAL BREATHER BOX®



PART NUMBERS AND SCHEMATICS GUIDE

Company Profile

Allredi was formed in the early 2020, when two of the largest distributors in the blasting, coating, safety, and environmental industry, APE Companies and Marco Group International, joined forces. While the qualities both companies are known for have not changed, a lot about our business is new. New abilities. New agilities. New ways to help you win. This calls for a new name, Allredi.

This name exemplifies what we have become. It is completely oriented to the needs of our customers. To your needs. It says that when you call us for anything – products, service, expert advice, anything – you can consider it done. Or even better, Allredi done.

We are your right-now supplier. From skills to SKUs, we deliver the goods fast. So you can be more agile every minute, every day. This is who we are. This is what our new name means. Go ahead and expect excellence, because we're bringing it.

Our Mission and Vision

To be the industry's preferred partner in surface preparation solutions through unrivaled technical expertise, customer experience, product availability, and tailored service offerings.

The Allredi Difference

- **Industry Experience** – With Allredi on your team, you have access to expertise which can only come from decades of industry leadership. We have organized our engineering department, production specialists, customer operations, and safety support into a "Center of Competence." As an Allredi customer, you have access to hundreds of years of cumulative experience related to your operations.
- **Manufacturing Excellence** – Allredi is a U.S. based manufacturer of equipment for the Surface Preparation and Protective Coatings industries. Allredi's engineers benchmark the industry to ensure that we design and manufacture superior products that set the "Gold Standard" for performance, safety, and quality.
- **Legendary Customer Service** – Allredi's legendary customer service team is staffed by friendly, highly-trained individuals who are focused on providing the highest level of product support, order accuracy, and customer satisfaction.
- **Product Availability** – We stock over 10,000 SKU's and have over 45 shipping locations to serve North American and International markets for all major brands of blasting, coating, environmental, and safety equipment. Allredi is your right-now supplier, so you can keep your projects moving. From our foundation of strong relationships, we have built a nationwide network that puts vast inventory and ready service close to our customers. We provide advanced expertise, and we deliver the goods fast – so you can easily access the products and services you need to me more agile every minute, every day.
- **Technology Leadership** – Our website provides: Operator's Manuals, Part Numbers and Schematics Guides, SDS information, and key product features and specifications, providing access to information 24/7.

TABLE OF CONTENTS

Company Profile	2
Table of Contents	3
Air Systems International®	
Breather Box®	4-29
BB15	4-7
BB30	8-11
BB50	12-15
BB75	16-19
BB100	20-23
BB150.....	24-27
Filter Kits/Elements	28-29
Calibration Accessories	30
Optional Accessories	31

PART NUMBERS & SCHEMATICS GUIDE



Part Numbers

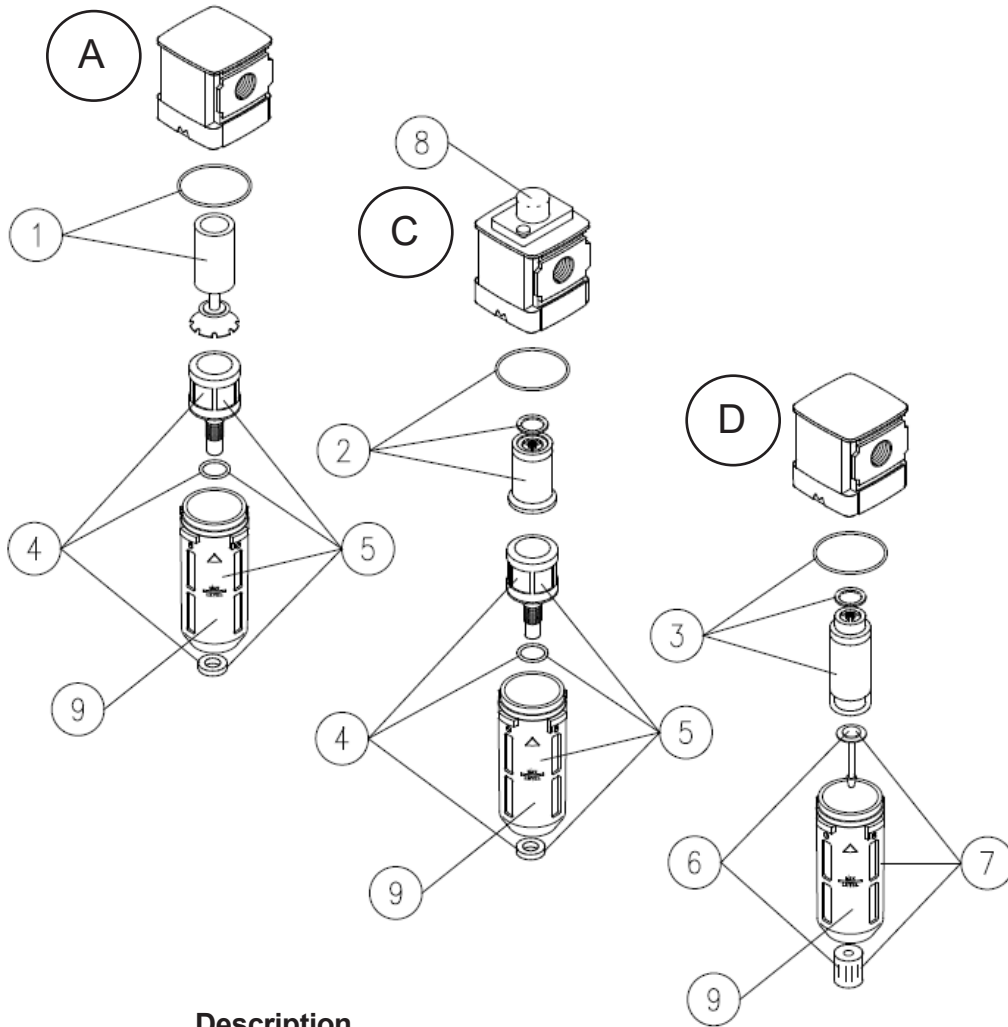
BB15 AIR SYSTEMS INTERNATIONAL® BREATHER BOX®									
Part Numbers	Flow Capacity	Number of Couplings	Outlet Coupling	Carbon Monoxide Monitoring	Oxygen Monitoring	Intrinsically Safe	Independent Regulators	Pressure Gauge	Remote Alarm Jack
10ASBB15CO	15 cfm	1	Hansen	X					
10ASBB15COSCH	15 cfm	1	Schrader	X					
10ASBB15CO2	15 cfm	2	Hansen	X					
10ASBB15CO2SCH	15 cfm	2	Schrader	X					

Air Systems International® Breather Box® BB15 Specifications

Maximum Air Flow @ 110 psi:	15 cfm
Number of Outlets:	1-2
Size:	19"L x 13"H x 7"D
Weight:	12.3 lbs
Inlet Size:	1/4"
Maximum Inlet Pressure:	150 psi
Relief Valve:	125 psi
Power Source:	9-Volt Battery/120 - volt AC

PART NUMBERS & SCHEMATICS GUIDE

Figure 1: Air Systems International® Breather Box® BB15-CO Filter Breakdown



Item #	Part #	Description
Fig. 1		
A	10ASBWL251	1st Stage Filter Assembly
C	10ASBWL253	2nd Stage Filter Assembly
D	10ASBWL255	3rd Stage Filter Assembly
1	10ASBB15AW	"A" Filter Element and O-Ring
2	10ASBB15CW	"C" Filter Element and O-Ring
3	10ASBB15DW	"D" Filter Element and O-Ring
4	10AS15ADW	Auto Drain Assembly
5	10AS15PBAW	Filter Bowl with Auto Drain Assembly
6	10ASB15MDW	Manual Drain
7	10ASB15PBMW	Filter Bowl with Manual Drain
8	10ASB15DPW	Filter Change Indicator
9	10ASB15PBGW	Filter Bowl with Guard
—	10ASBB15FK	Filter Kit for BB15 Series (Includes item #'s 1, 2 and 3)
—	306M538	Part Numbers and Schematics Guide— Air Systems International® Breather Box®

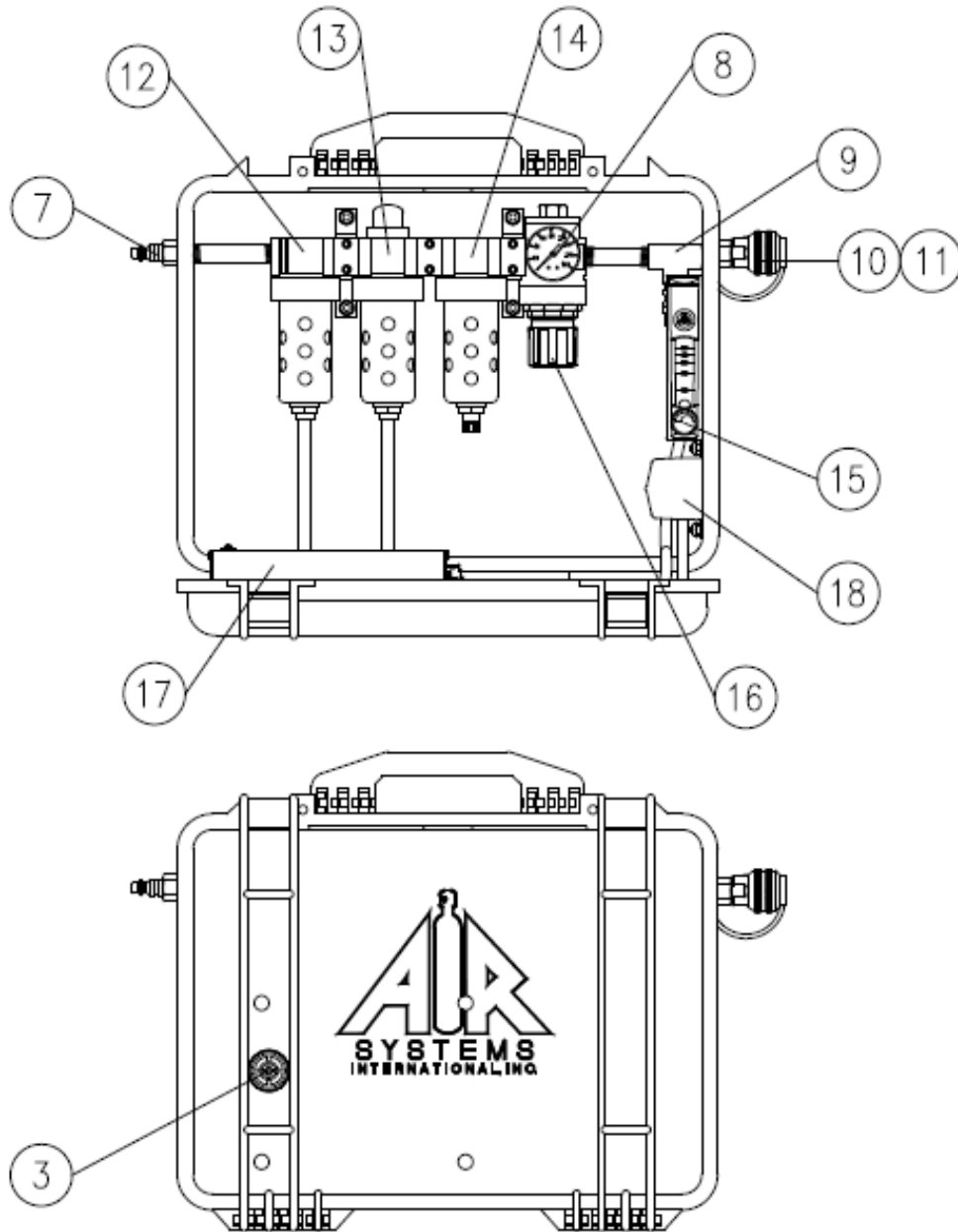
PART NUMBERS & SCHEMATICS GUIDE

Air Systems International® Breather Box® BB15-CO

Item #	Part #	Description
Fig. 2		
7	10ASQDH3PL6M	Inlet Fitting
8	10ASGA20160B	Pressure Gauge
9	10ASVR4125BR	Relief Valve
10	10ASQDH3SL6M	Hansen Coupling
10a	10QDSSL6M	Schrader Coupling
11	10ASQD3DCAP	Hansen Dust Cap
11a	10ASQDSCAP	Schrader Dust Cap
12	10AS15FLTRAW	1st Stage Filter Assembly (See Figure 1)
13	10AS15FLTRCW	2nd Stage Filter Assembly (See Figure 1)
14	10AS15FLTRDW	3rd Stage Filter Assembly (See Figure 1)
15	10ASWLO33NS	Flowmeter
16	10AS15REGW	Pressure Regulator
17	10ASCO91AB	Carbon Monoxide Monitor
18	10ASELJ006	115 VAC Recessed Plug
—	306M538	Part Numbers and Schematics Guide– Air Systems International® Breather Box®

PART NUMBERS & SCHEMATICS GUIDE

Figure 2: Air Systems International® Breather Box® BB15-CO Breakdown



PART NUMBERS & SCHEMATICS GUIDE



Part Numbers

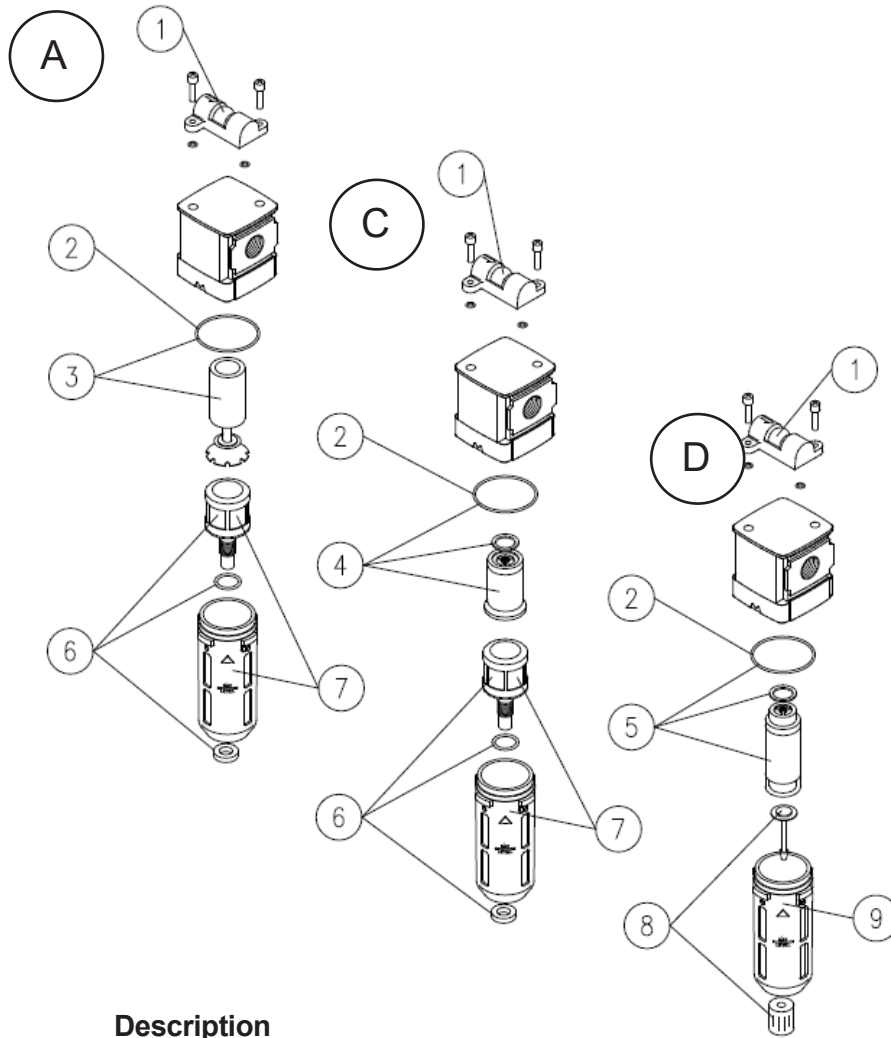
BB30 AIR SYSTEMS INTERNATIONAL® BREATHER BOX®									
Part Numbers	Flow Capacity	Number of Couplings	Outlet Coupling	Carbon Monoxide Monitoring	Oxygen Monitoring	Intrinsically Safe	Independent Regulators	Pressure Gauge	Remote Alarm Jack
10ASBB30CO2R	30 cfm	2	Hansen	X			2	2	X
10ASBB30CO	30 cfm	2	Hansen	X					X
10ASBB30COO2	30 cfm	2	Hansen	X	X				X
10ASBB30COIS	30 cfm	2	Hansen	X		X			X
10ASBB30CO2RSCH	30 cfm	2	Schrader	X			2	2	X
10ASBB30COSCH	30 cfm	2	Schrader	X					X
10ASBB30COO2SCH	30 cfm	2	Schrader	X	X				X
10ASBB30COISSCH	30 cfm	2	Schrader	X		X			X
10ASBB30CO3	30 cfm	3	Hansen	X					X
10ASBB30CO3SCH	30 cfm	3	Schrader	X					X

Air Systems International® Breather Box® BB30 Specifications

Maximum Air Flow @ 110 psi:	30 cfm
Number of Outlets:	2
Size:	19"L x 13"H x 7"D
Weight:	19.7 lbs
Inlet Size:	1/2"
Maximum Inlet Pressure:	150 psi
Relief Valve:	125 psi
Power Source:	9-Volt Battery/120 - volt AC

PART NUMBERS & SCHEMATICS GUIDE

Figure 3: Air Systems International® Breather Box® BB30-CO Filter Breakdown



Item #	Part #	Description
--------	--------	-------------

Fig. 3

A	10ASBWL251	1st Stage Filter Assembly
C	10ASBWL253	2nd Stage Filter Assembly
D	10ASBWL255	3rd Stage Filter Assembly
1	10ASWL261	Filter Change Indicator
2	10ASBWL266	Filter Bowl O-Ring
3	10ASBB30A	"A" Filter Element and O-Ring
4	10ASBB30C	"C" Filter Element and O-Ring
5	10ASBB30D	"D" Filter Element and O-Ring
6	10ASWL024	Auto Drain Assembly
7	10ASBWL264	Filter Bowl with Guard and Auto Drain
8	10ASBWL262	Manual Drain
9	10ASWL267	Filter Bowl with Guard (No Drain)
—	10ASBB30FK	Filter Kit for BB30 Series (Includes item #'s 3,4 and 5)
—	306M538	Part Numbers and Schematics Guide— Air Systems International® Breather Box®

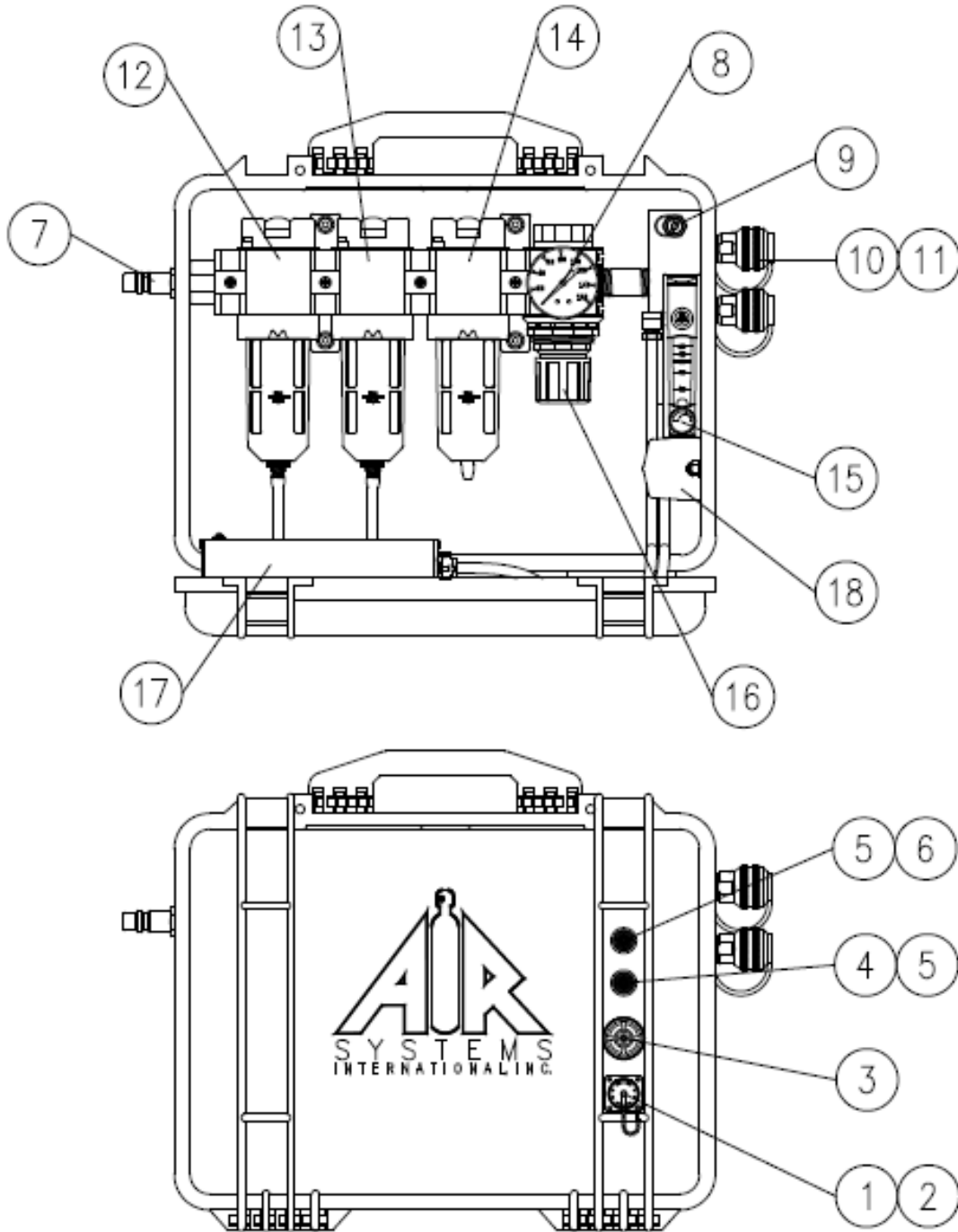
PART NUMBERS & SCHEMATICS GUIDE

Air Systems International® Breather Box® BB30-CO

Item #	Part #	Description
Fig. 4		
1	10ASELJP004	Remote Alarm Jack
2	10ASELJP005	Remote Alarm Jack Cover
3	10ASELLS004	High CO Audible Alarm
4	10ASMONC004	High CO Indicator
5	10ASELDS013	Clear LED Lens
6	10ASMONC005	Normal Operation Indicator
7	10ASQDH3PL6M	Inlet Fitting
8	10ASGA20160B	Pressure Gauge
9	10ASVR4125BR	Relief Valve
10	10ASQDH3SL6M	Hansen Coupling
10a	10ASQDSSL6M	Schrader Coupling
11	10ASQDH3DCAP	Hansen Dust Cap
11a	10ASQDSDCAP	Schrader Dust Cap
12	10ASWL251	1st Stage Filter Assembly (<i>See Figure 3</i>)
13	10ASWL253	2nd Stage Filter Assembly (<i>See Figure 3</i>)
14	10ASWL255	3rd Stage Filter Assembly (<i>See Figure 3</i>)
15	10ASWL033NS	Flowmeter
16	10ASWL257	Pressure Regulator
17	10ASCO91	Carbon Monoxide Monitor
18	10ASELJP006	115 VAC Recessed Plug
—	306M538	Part Numbers and Schematics Guide– Air Systems International® Breather Box®

PART NUMBERS & SCHEMATICS GUIDE

Figure 4: Air Systems International® Breather Box® BB30-CO Breakdown



PART NUMBERS & SCHEMATICS GUIDE



Part Numbers

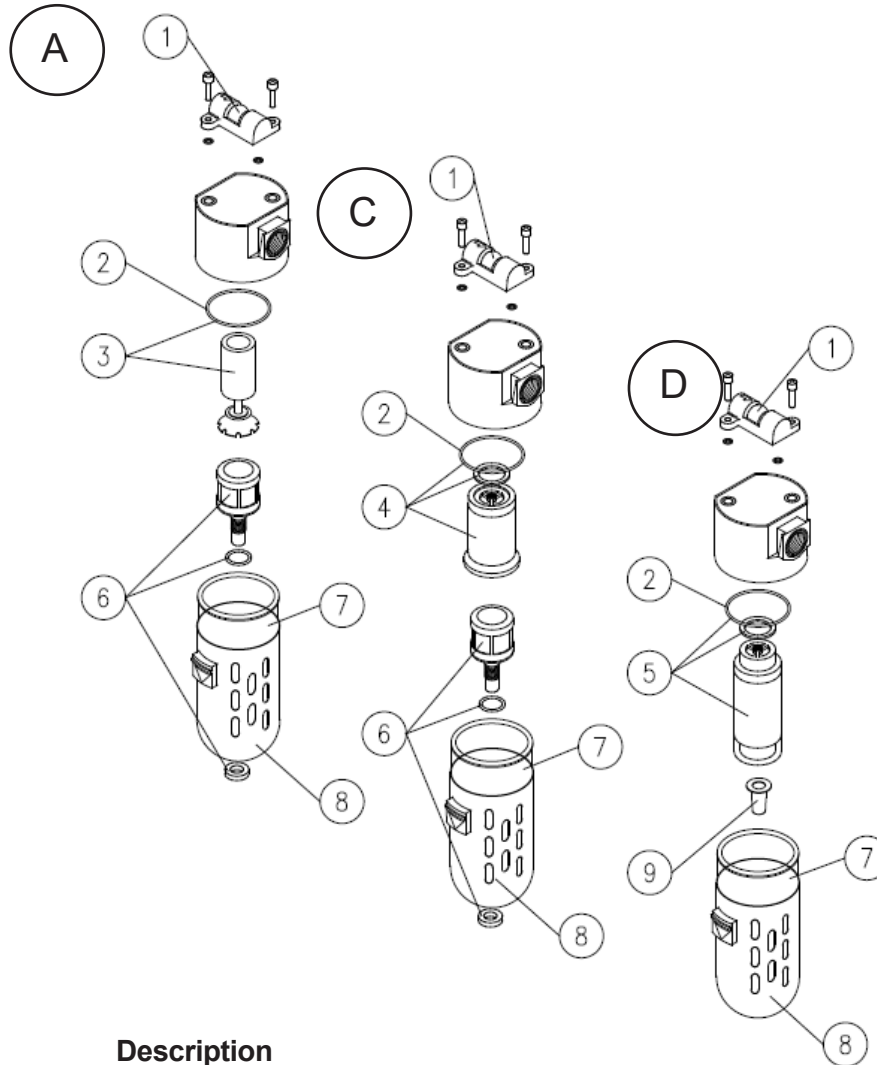
BB50 AIR SYSTEMS INTERNATIONAL® BREATHER BOX®									
Part Numbers	Flow Capacity	Number of Couplings	Outlet Coupling	Carbon Monoxide Monitoring	Oxygen Monitoring	Intrinsically Safe	Independent Regulators	Pressure Gauge	Remote Alarm Jack
10ASBB50CO	50 cfm	4	Hansen	X					X
10ASBB50COO2	50 cfm	4	Hansen	X	X				X
10ASBB50CO4R	50 cfm	4	Hansen	X			4	4	X
10ASBB50COIS	50 cfm	4	Hansen	X		X			X
10ASBB50COSCH	50 cfm	4	Schrader	X					X
10ASBB50COO2SCH	50 cfm	4	Schrader	X	X				X
10ASBB50CO4RSCH	50 cfm	4	Schrader	X			4	4	X
10ASBB50COISSCH	50 cfm	4	Schrader	X		X			X

Air Systems International® Breather Box® BB50 Specifications

Maximum Air Flow @ 110 psi:	50 cfm
Number of Outlets:	4
Size:	24"L x 17"H x 8.5"D
Weight:	26.4 lbs
Inlet Size:	1/2"
Maximum Inlet Pressure:	150 psi
Relief Valve:	125 psi
Power Source:	9-Volt Battery/120 - volt AC

PART NUMBERS & SCHEMATICS GUIDE

Figure 5: Air Systems International® Breather Box® BB50-CO Filter Breakdown



Item #	Part #	Description
Fig. 5		
A	10ASBWL007	1st Stage Filter Assembly
C	10ASBWL008	2nd Stage Filter Assembly
D	10ASWL009	3rd Stage Filter Assembly
1	10ASWL056	Filter Change Indicator
2	10ASWL091	Filter Bowl O-Ring
3	10ASBB50A	"A" Filter Element and O-Ring
4	10ASBB50C	"C" Filter Element and O-Ring
5	10ASBB50D	"D" Filter Element and O-Ring
6	10ASWL024	Auto Drain Assembly
7	10ASWL049	Plastic Filter Bowl
8	10ASBWL094	Metal Filter Bowl Guard
9	10ASBWL153	Manual Drain
—	10ASBB50FK	Filter Kit for BB50 Series (Includes item #'s 3,4 and 5)
—	306M538	Part Numbers and Schematics Guide— Air Systems International® Breather Box®

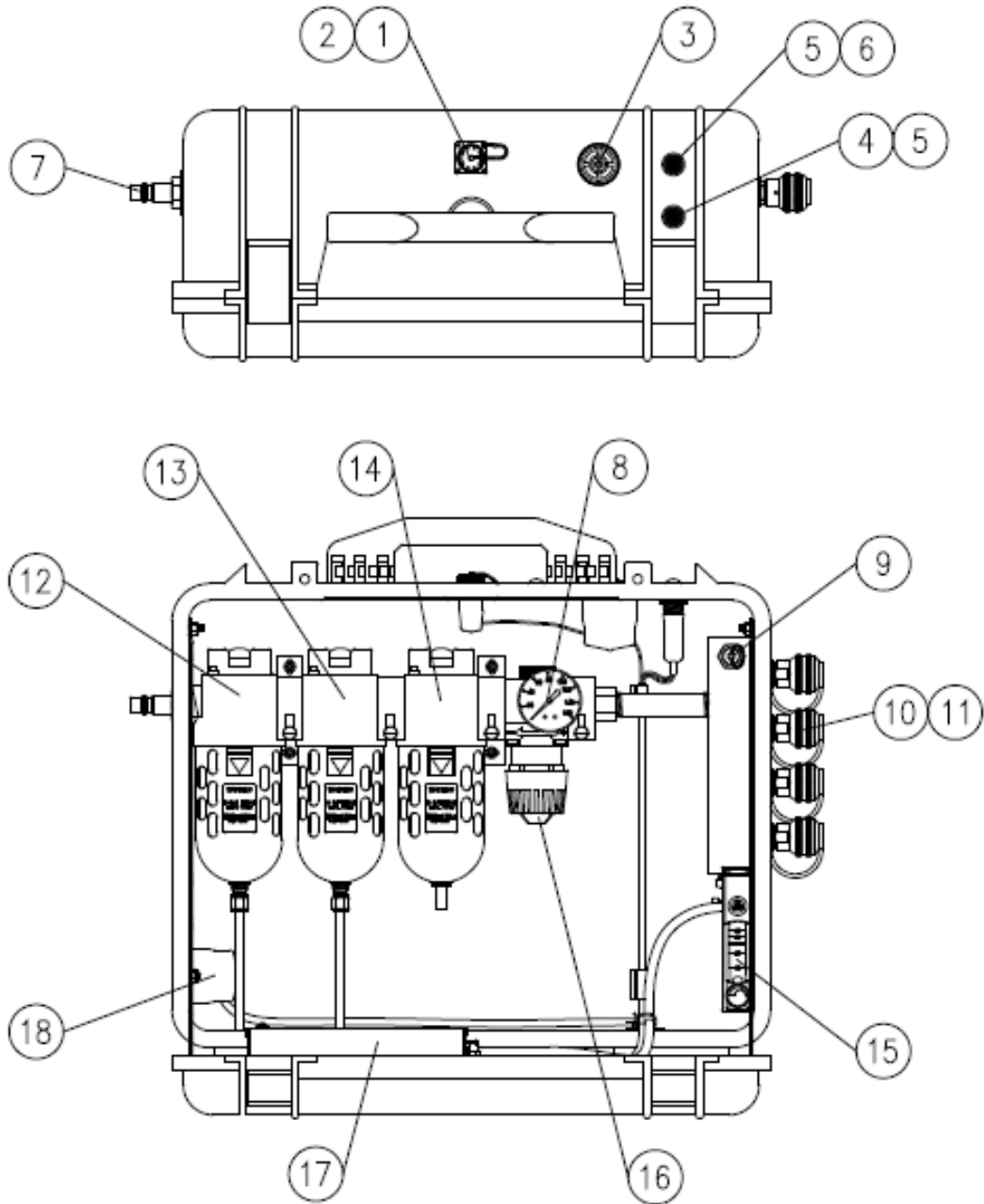
PART NUMBERS & SCHEMATICS GUIDE

Air Systems International® Breather Box® BB50-CO

Item #	Part #	Description
Fig. 6		
1	10ASELJP004	Remote Alarm Jack
2	10ASELJP005	Remote Alarm Jack Cover
3	10ASELLS004	High CO Audible Alarm
4	10ASMONC004	High CO Indicator
5	10ASELDS013	Clear LED Lens
6	10ASMONC005	Normal Operation Indicator
7	10ASQDH3PL6M	Inlet Fitting
8	10ASGA20160B	Pressure Gauge
9	10ASVR4125BR	Relief Valve
10	10ASQDH3SL6M	Hansen Coupling
10a	10ASQDSSL6M	Schrader Coupling
11	10ASQDH3DCAP	Hansen Dust Cap
11a	10ASQDSDCAP	Schrader Dust Cap
12	10ASWL007	1st Stage Filter Assembly (<i>See Figure 5</i>)
13	10ASWL008	2nd Stage Filter Assembly (<i>See Figure 5</i>)
14	10ASWL009	3rd Stage Filter Assembly (<i>See Figure 5</i>)
15	10ASWL033NS	Flowmeter
16	10ASWL015	Pressure Regulator
17	10BC091	Carbon Monoxide Monitor
18	10ASELJP006	115 VAC Recessed Plug
—	306M538	Part Numbers and Schematics Guide— Air Systems International® Breather Box®

PART NUMBERS & SCHEMATICS GUIDE

Figure 6: Air Systems International® Breather Box® BB50-CO Breakdown



PART NUMBERS & SCHEMATICS GUIDE



Part Numbers

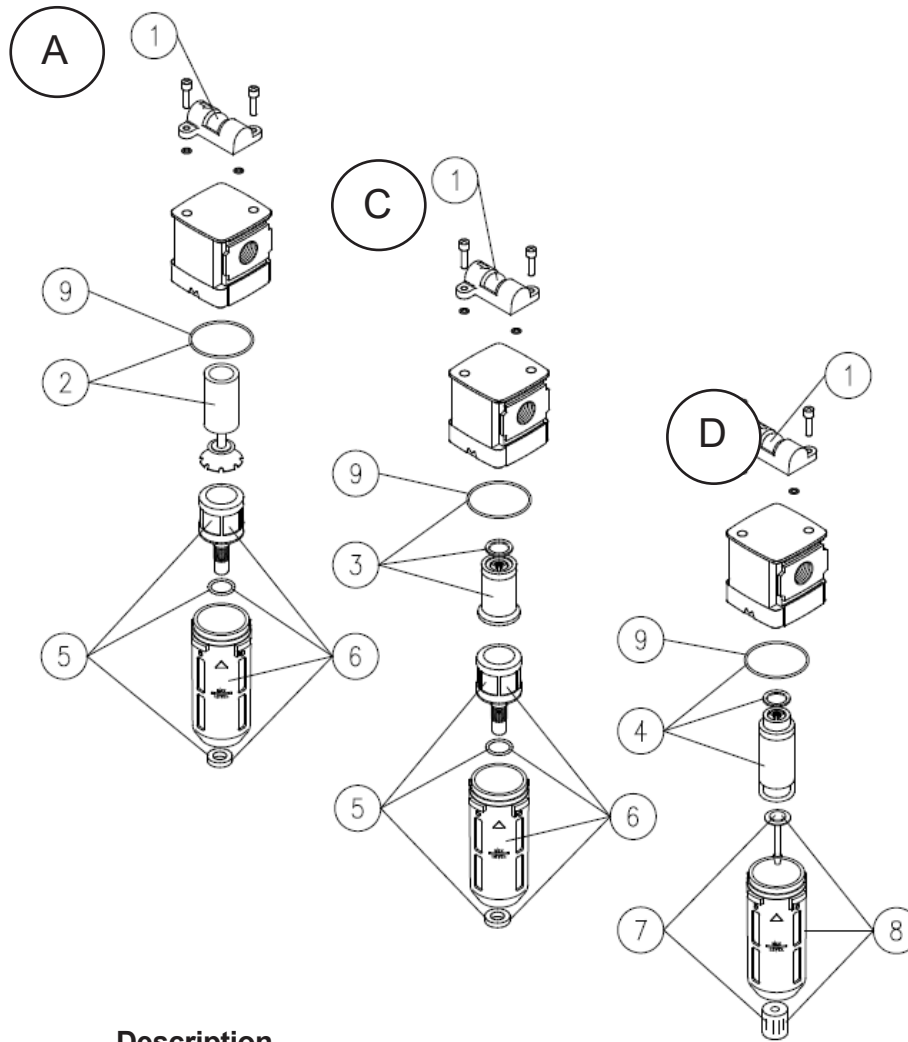
BB75 AIR SYSTEMS INTERNATIONAL® BREATHER BOX®									
Part Number	Flow Capacity	Number of Couplings	Outlet Coupling	Carbon Monoxide Monitoring	Oxygen Monitoring	Intrinsically Safe	Independent Regulators	Pressure Gauge	Remote Alarm Jack
10ASBB75CO6	75 cfm	6	Hansen	X					X
10ASBB75CO6SCH	75 cfm	6	Schrader	X					X

Air Systems International® Breather Box® BB75 Specifications

Maximum Air Flow @ 110 psi:	75 cfm
Number of Outlets:	6
Size:	24"L x 17"H x 8.5"D
Weight:	34.2 lbs
Inlet Size:	1/2"
Maximum Inlet Pressure:	150 psi
Relief Valve:	125 psi
Power Source:	9-Volt Battery/120 - volt AC

PART NUMBERS & SCHEMATICS GUIDE

Figure 7: Air Systems International® Breather Box® BB75-CO Filter Breakdown



Item #	Part #	Description
Fig. 7		
A	10ASBWL175	1st Stage Filter Assembly
C	10ASBWL177	2nd Stage Filter Assembly
D	10ASBWL179	3rd Stage Filter Assembly
1	10ASWL261	Filter Change Indicator
2	10ASBB75A	"A" Filter Element and O-Ring
3	10ASBB75C	"C" Filter Element and O-Ring
4	10ASBB75D	"D" Filter Element and O-Ring
5	10ASBWL024	Auto Drain Assembly
6	10ASBWL187	Filter Bowl with Auto Drain
7	10ASBWL262	Manual Drain
8	10ASBWL188	Filter Bowl with Manual Drain
—	10ASBB75FK	Filter Kit for BB75 Series (Includes item #'s 2,3 and 4)
—	306M538	Part Numbers and Schematics Guide— Air Systems International® Breather Box®

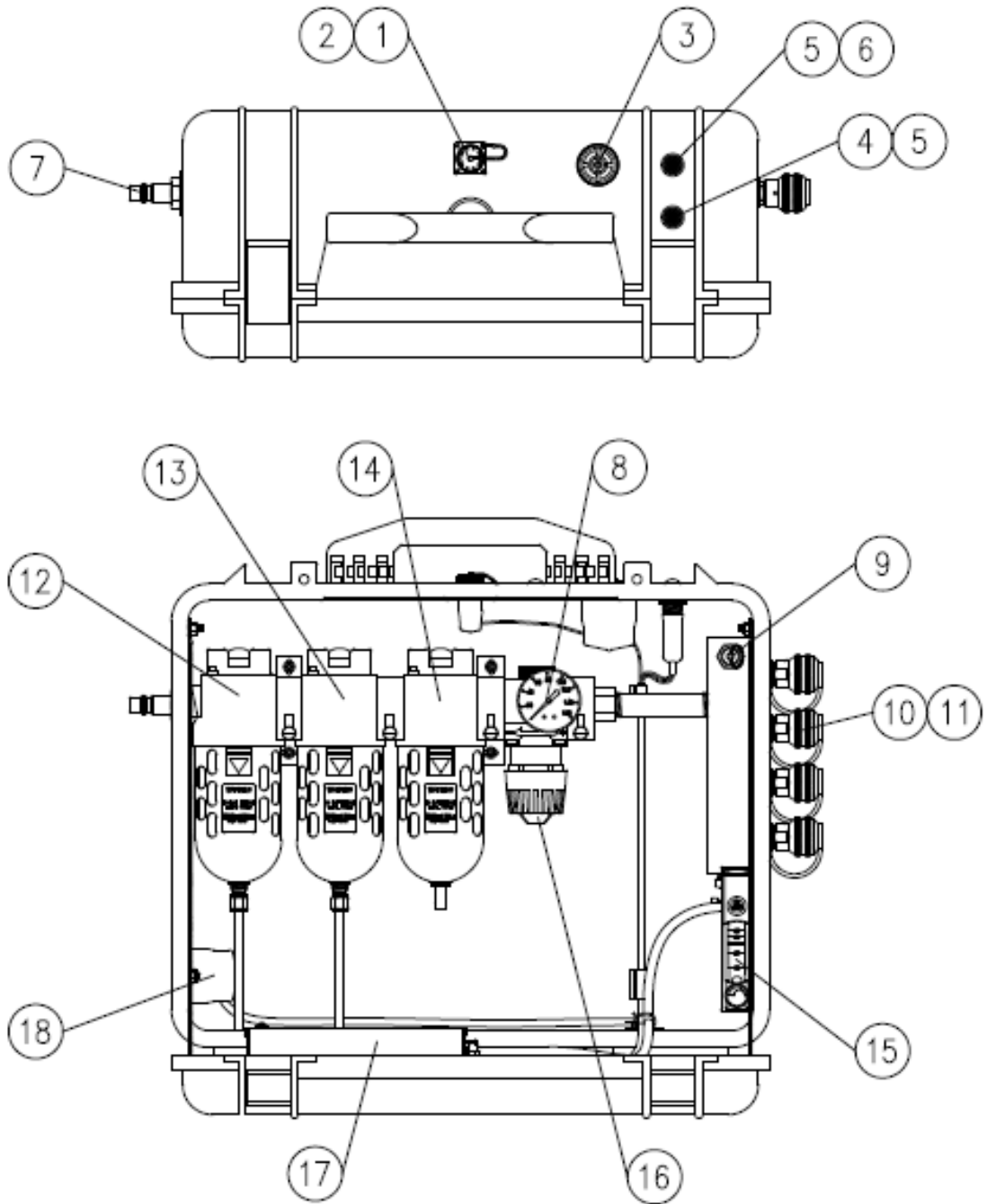
PART NUMBERS & SCHEMATICS GUIDE

Air Systems International® Breather Box® BB75-CO

Item #	Part #	Description
Fig. 8		
1	10ASELJP004	Remote Alarm Jack
2	10ASELJP005	Remote Alarm Jack Cover
3	10ASELLS004	High CO Audible Alarm
4	10ASMONC004	High CO Indicator
5	10ASELDS013	Clear LED Lens
6	10ASMONC005	Normal Operation Indicator
7	10ASQDCHI16M	Inlet Fitting
9	10ASVR4125BR	Relief Valve
10	10ASQDH5SL12M	Hansen Coupling
12	10ASWL132	1st Stage Filter Assembly (<i>See Figure 7</i>)
13	10ASWL059S	2nd Stage Filter Assembly (<i>See Figure 7</i>)
14	10ASWL060S	3rd Stage Filter Assembly (<i>See Figure 7</i>)
15	10ASWL033NS	Flowmeter
16	10ASWL013A	Pressure Regulator
17	10ASCO91	Carbon Monoxide Monitor
18	10ASELJP006	115 VAC Recessed Plug
—	306M538	Part Numbers and Schematics Guide— Air Systems International® Breather Box®

PART NUMBERS & SCHEMATICS GUIDE

Figure 8: Air Systems International® Breather Box® BB75-CO Breakdown



PART NUMBERS & SCHEMATICS GUIDE



Part Numbers

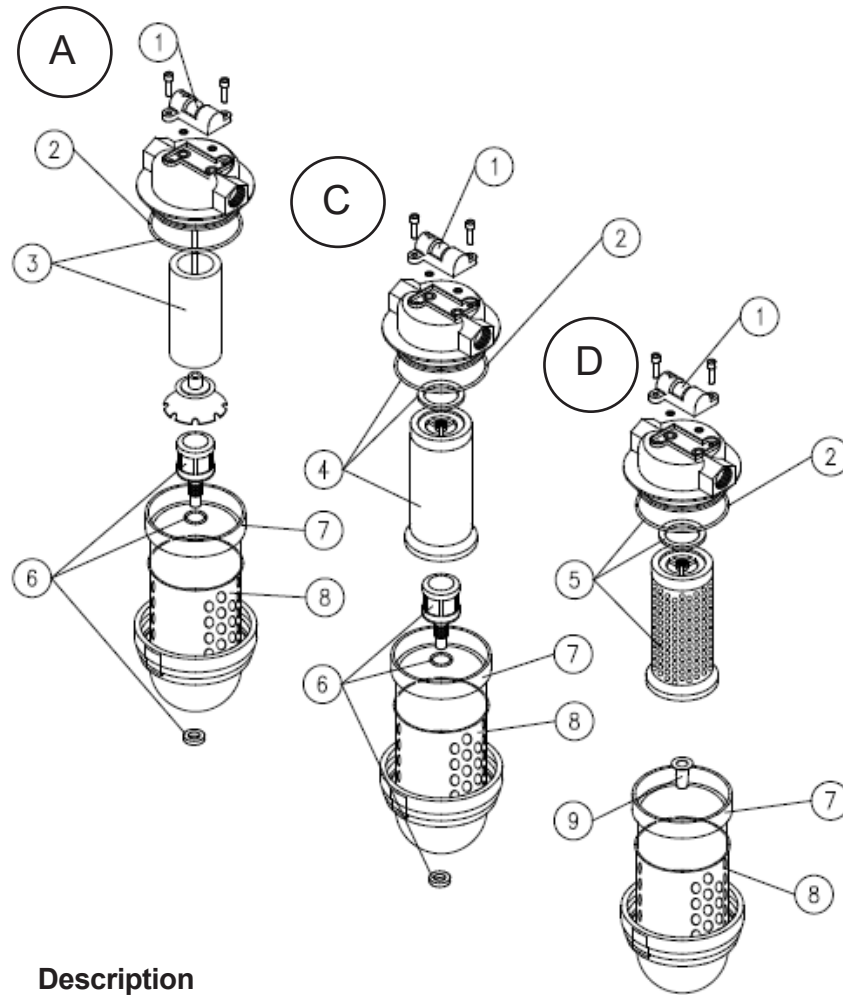
BB100 AIR SYSTEMS INTERNATIONAL® BREATHER BOX®									
Part Number	Flow Capacity	Number of Couplings	Outlet Coupling	Carbon Monoxide Monitoring	Oxygen Monitoring	Intrinsically Safe	Independent Regulators	Pressure Gauge	Remote Alarm Jack
10ASBB100CO	100 cfm	4	Hansen	X					X
10ASBB100COO2	100 cfm	4	Hansen	X	X				X
10BB100CO4R	100 cfm	4	Hansen	X			4	4	X
10ASBB100COIS	100 cfm	4	Hansen	X		X			X
10ASBB100COSCH	100 cfm	4	Schrader	X					X
10ASBB100COO2SCH	100 cfm	4	Schrader	X	X				X
10BB100CO4RSCH	100 cfm	4	Schrader	X			4	4	X
10ASBB100COISSCH	100 cfm	4	Schrader	X		X			X
10ASBB100C06	100 cfm	6	Hansen	X					X
10ASBB100C06SCH	100 cfm	6	Schrader	X					X
10ASBB100C08	100 cfm	8	Hansen	X					X
10ASBB100C08SCH	100 cfm	8	Schrader	X					X

Air Systems International® Breather Box® BB100 Specifications

Maximum Air Flow @ 110 psi:	100 cfm
Number of Outlets:	4-8
Size:	26.5"L x 21"H x 9"D
Weight:	38.8 lbs
Inlet Size:	1/2"
Maximum Inlet Pressure:	150 psi
Relief Valve:	125 psi
Power Source:	9-Volt Battery/120 - volt AC

PART NUMBERS & SCHEMATICS GUIDE

Figure 9: Air Systems International® Breather Box® BB100-CO Filter Breakdown



Item #	Part #	Description
Fig. 9		
A	10ASBWL066	1st Stage Filter Assembly
C	10ASBWL017	2nd Stage Filter Assembly
D	10ASBWL018	3rd Stage Filter Assembly
1	10ASWL056	Filter Change Indicator
2	10ASBWL113	Filter Bowl O-Ring
3	10ASBB100A	"A" Filter Element and O-Ring
4	10ASBB100C	"C" Filter Element and O-Rings
5	10ASBB100D	"D" Filter Element and O-Rings
6	10ASWL024	Auto Drain Assembly
7	10ASWL055	Plastic Filter Bowl
8	10ASWL092	Metal Filter Bowl Guard
9	10ASWL153	Manual Drain
—	10ASBB100FK	Filter Kit for BB100 Series (Includes item #'s 3,4 and 5)
—	10ASBB150FK	Filter Kit for BB150 Series (Includes item #'s 3,4 and 5)
—	306M538	Part Numbers and Schematics Guide— Air Systems International® Breather Box®

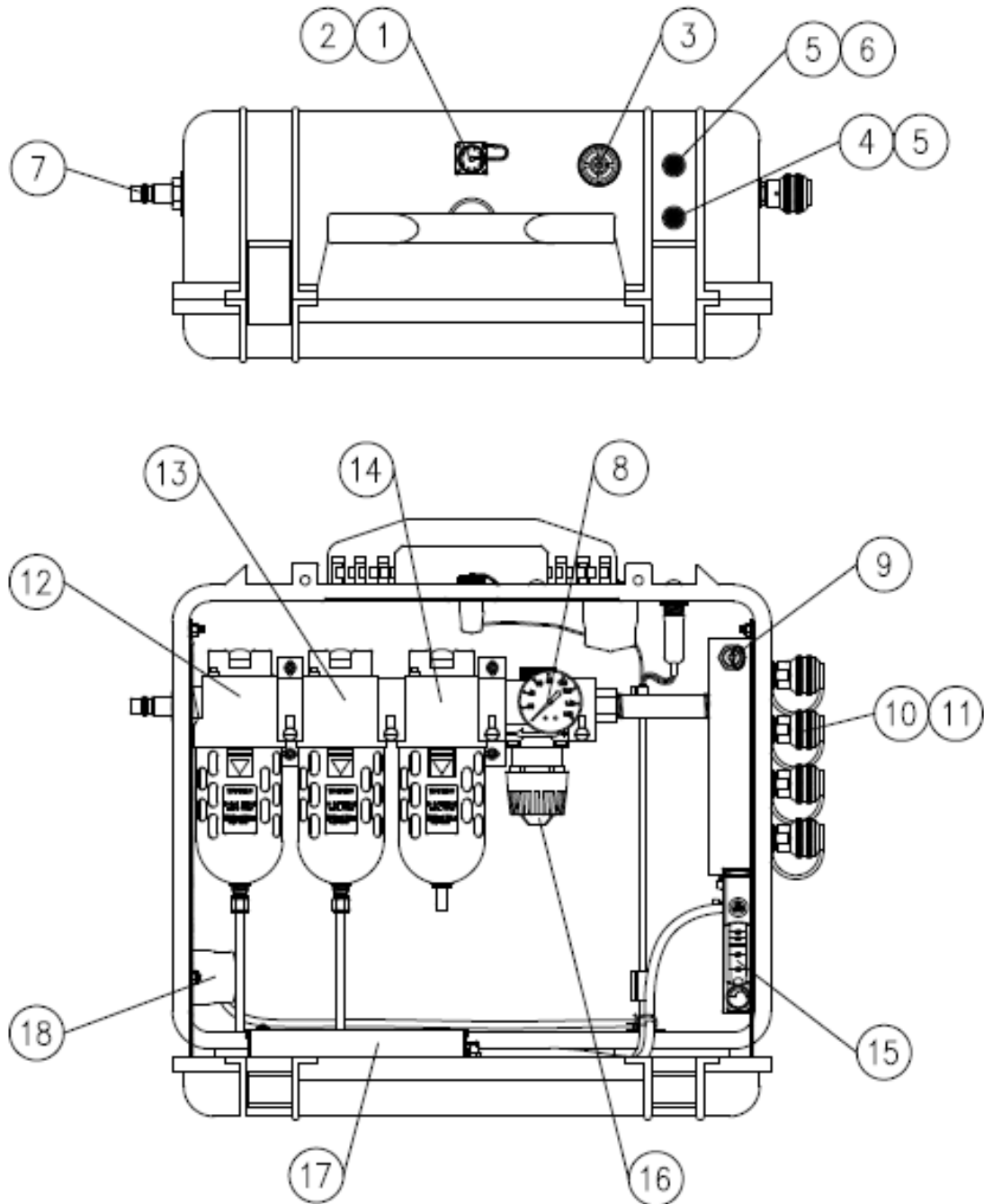
PART NUMBERS & SCHEMATICS GUIDE

Air Systems International® Breather Box® BB100-CO Breakdown

Item #	Part #	Description
Fig. 10		
1	10ASELJP004	Remote Alarm Jack
2	10ASELJP005	Remote Alarm Jack Cover
3	10ASELLS004	High CO Audible Alarm
4	10ASMONC004	High CO Indicator
5	10ASELDS013	Clear LED Lens
6	10ASMONC005	Normal Operation Indicator
7	10ASQDCHI16M	Inlet Fitting
9	10ASVR4125BR	Relief Valve
10	10ASQDH5SL12M	Hansen Coupling
12	10ASWL132	1st Stage Filter Assembly (<i>See Figure 9</i>)
13	10ASWL059S	2nd Stage Filter Assembly (<i>See Figure 9</i>)
14	10ASWL060S	3rd Stage Filter Assembly (<i>See Figure 9</i>)
15	10ASWL033NS	Flowmeter
16	10ASWL013A	Pressure Regulator
17	10ASCO91	Carbon Monoxide Monitor
18	10ASELJP006	115 VAC Recessed Plug
—	306M538	Part Numbers and Schematics Guide— Air Systems International® Breather Box®

PART NUMBERS & SCHEMATICS GUIDE

Figure 10: Air Systems International® Breather Box® BB100-CO Filter Breakdown



PART NUMBERS & SCHEMATICS GUIDE



Part Numbers

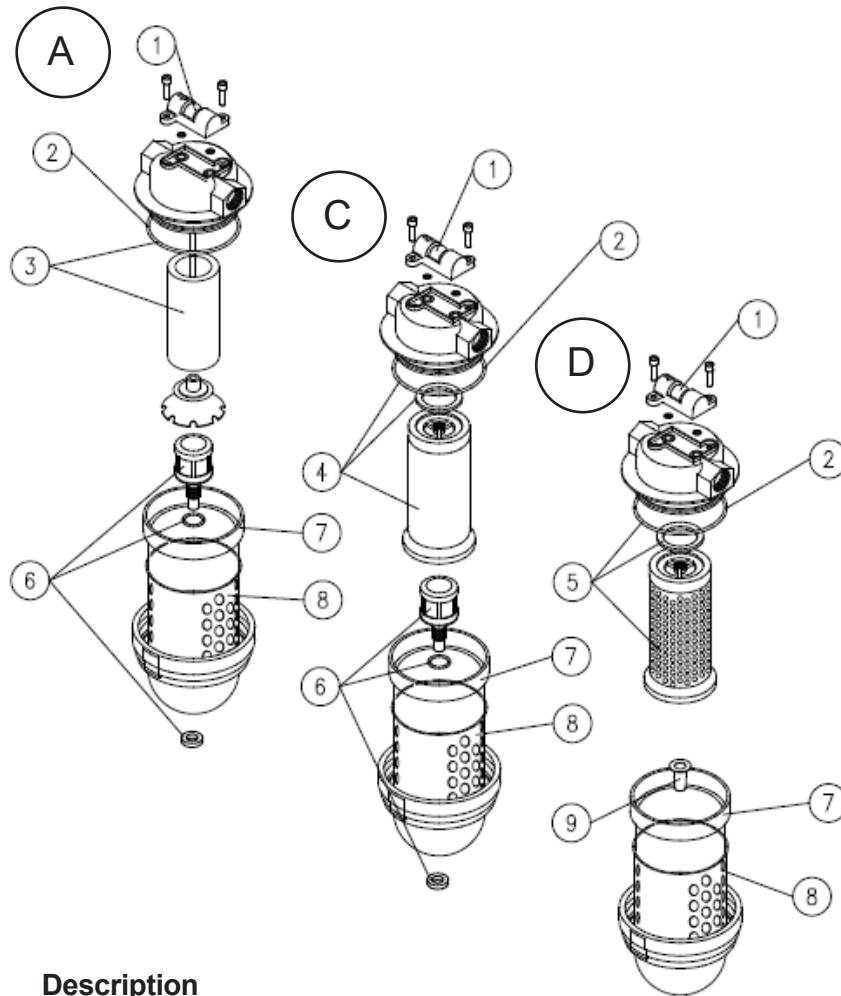
BB150 AIR SYSTEMS INTERNATIONAL® BREATHER BOX®									
Part Numbers	Flow Capacity	Number of Couplings	Outlet Coupling	Carbon Monoxide Monitoring	Oxygen Monitoring	Intrinsically Safe	Independent Regulators	Pressure Gauge	Remote Alarm Jack
10ASBB150CO	150 cfm	3 (1/2")	Hansen	X					X
10ASBB150COSCH	150 cfm	3 (1/2")	Schrader	X					X

Air Systems International® Breather Box® BB150 Specifications

Maximum Air Flow @ 110 psi:	150 cfm
Number of Outlets:	3
Size:	26.5"L x 21"H x 9"D
Weight:	38.8 lbs
Inlet Size:	1"
Maximum Inlet Pressure:	150 psi
Relief Valve:	125 psi
Power Source:	9-Volt Battery/120 - volt AC

PART NUMBERS & SCHEMATICS GUIDE

Figure 11: Air Systems International® Breather Box® BB150-CO Filter Breakdown



Item #	Part #	Description
Fig. 11		
A	10ASBWL066	1st Stage Filter Assembly
C	10ASBWL017	2nd Stage Filter Assembly
D	10ASBWL018	3rd Stage Filter Assembly
1	10ASWL056	Filter Change Indicator
2	10ASBWL113	Filter Bowl O-Ring
3	10ASBB100A	"A" Filter Element and O-Ring
4	10ASBB100C	"C" Filter Element and O-Rings
5	10ASBB100D	"D" Filter Element and O-Rings
6	10ASWL024	Auto Drain Assembly
7	10ASWL055	Plastic Filter Bowl
8	10ASWL092	Metal Filter Bowl Guard
9	10ASWL153	Manual Drain
—	10ASBB100FK	Filter Kit for BB100 Series (Includes item #'s 3,4 and 5)
—	10ASBB150FK	Filter Kit for BB150 Series (Includes item #'s 3,4 and 5)
—	306M538	Part Numbers and Schematics Guide— Air Systems International® Breather Box®

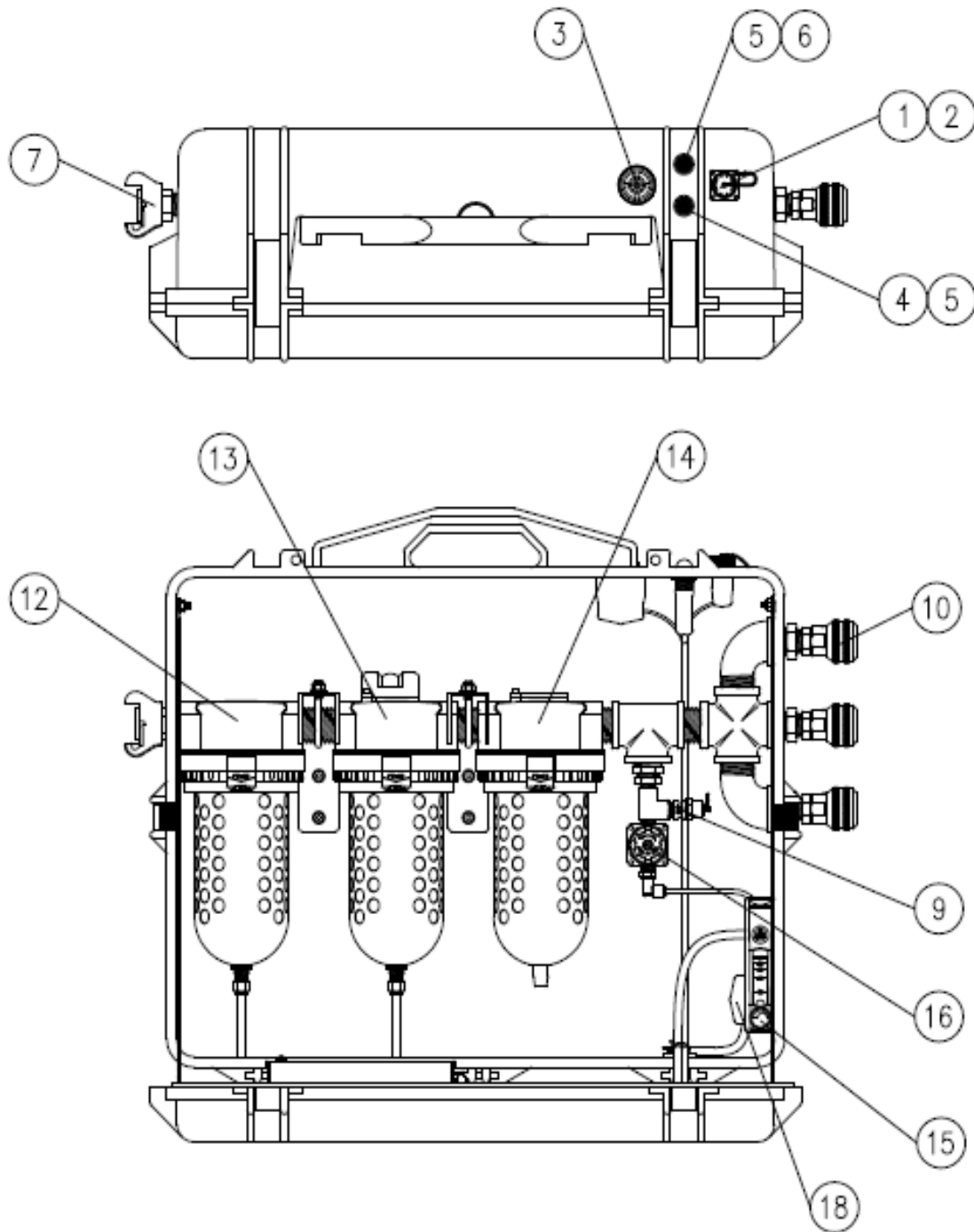
PART NUMBERS & SCHEMATICS GUIDE

Air Systems International® Breather Box® BB150-CO


Item #	Part #	Description
Fig. 12		
1	10ASELJP004	Remote Alarm Jack
2	10ASELJP005	Remote Alarm Jack Cover
3	10ASELLS004	High CO Audible Alarm
4	10ASMONC004	High CO Indicator
5	10ASELDS013	Clear LED Lens
6	10ASMONC005	Normal Operation Indicator
7	10ASQDCHI16M	Inlet Fitting
9	10ASVR4125BR	Relief Valve
10	10ASQDH5SL12M	Hansen Coupling
12	10ASWL132	1st Stage Filter Assembly (<i>See Figure 11</i>)
13	10ASWL059S	2nd Stage Filter Assembly (<i>See Figure 11</i>)
14	10ASWL060S	3rd Stage Filter Assembly (<i>See Figure 11</i>)
15	10ASWL033NS	Flowmeter
16	10ASWL013A	Pressure Regulator
17	10ASCO91	Carbon Monoxide Monitor
18	10ASELJP006	115 VAC Recessed Plug
—	306M538	Part Numbers and Schematics Guide— Air Systems International® Breather Box®


PART NUMBERS & SCHEMATICS GUIDE


Figure 12: Air Systems International® Breather Box® BB150-CO Breakdown




PART NUMBERS & SCHEMATICS GUIDE


AIR SYSTEMS INTERNATIONAL® BREATHER BOX® FILTER ELEMENTS - BB15			
Part Numbers	Model	Type	
	10ABB15FK	BB15	Filter Kit BB15 Series <i>(Includes Filter Elements A, C and D)</i>
	10ASBB15A	BB15	"A" Filter Element and O-Ring
	10ASBB15C	BB15	"C" Filter Element and O-Ring
	10ASBB15D	BB15	"D" Filter Element and O-Ring

AIR SYSTEMS INTERNATIONAL® BREATHER BOX® FILTER ELEMENTS - BB30			
Part Numbers	Model	Type	
	10ABB30FK	BB30	Filter Kit BB30 Series <i>(Includes Filter Elements A, C and D)</i>
	10ASBB30A	BB30	"A" Filter Element and O-Ring
	10ASBB30C	BB30	"C" Filter Element and O-Ring
	10ASBB30D	BB30	"D" Filter Element and O-Ring



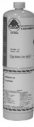

AIR SYSTEMS INTERNATIONAL® BREATHER BOX® FILTER ELEMENTS - BB50			
Part Numbers	Model	Type	
	10ABB50FK	BB50	Filter Kit BB50 Series <i>(Includes Filter Elements A, C and D)</i>
	10ASBB50A	BB50	"A" Filter Element and O-Ring
	10ASBB50C	BB50	"C" Filter Element and O-Ring
	10ASBB50D	BB50	"D" Filter Element and O-Ring

PART NUMBERS & SCHEMATICS GUIDE







AIR SYSTEMS INTERNATIONAL® BREATHER BOX®			
FILTER ELEMENTS - BB75			
Part Numbers	Model	Type	
	10ABB75FK	BB50	Filter Kit BB75 Series <i>(Includes Filter Elements A,C and D)</i>
	10ASBB75A	BB75	"A" Filter Element and O-Ring
	10ASBB75C	BB75	"C" Filter Element and O-Ring
	10ASBB75D	BB75	"D" Filter Element and O-Ring

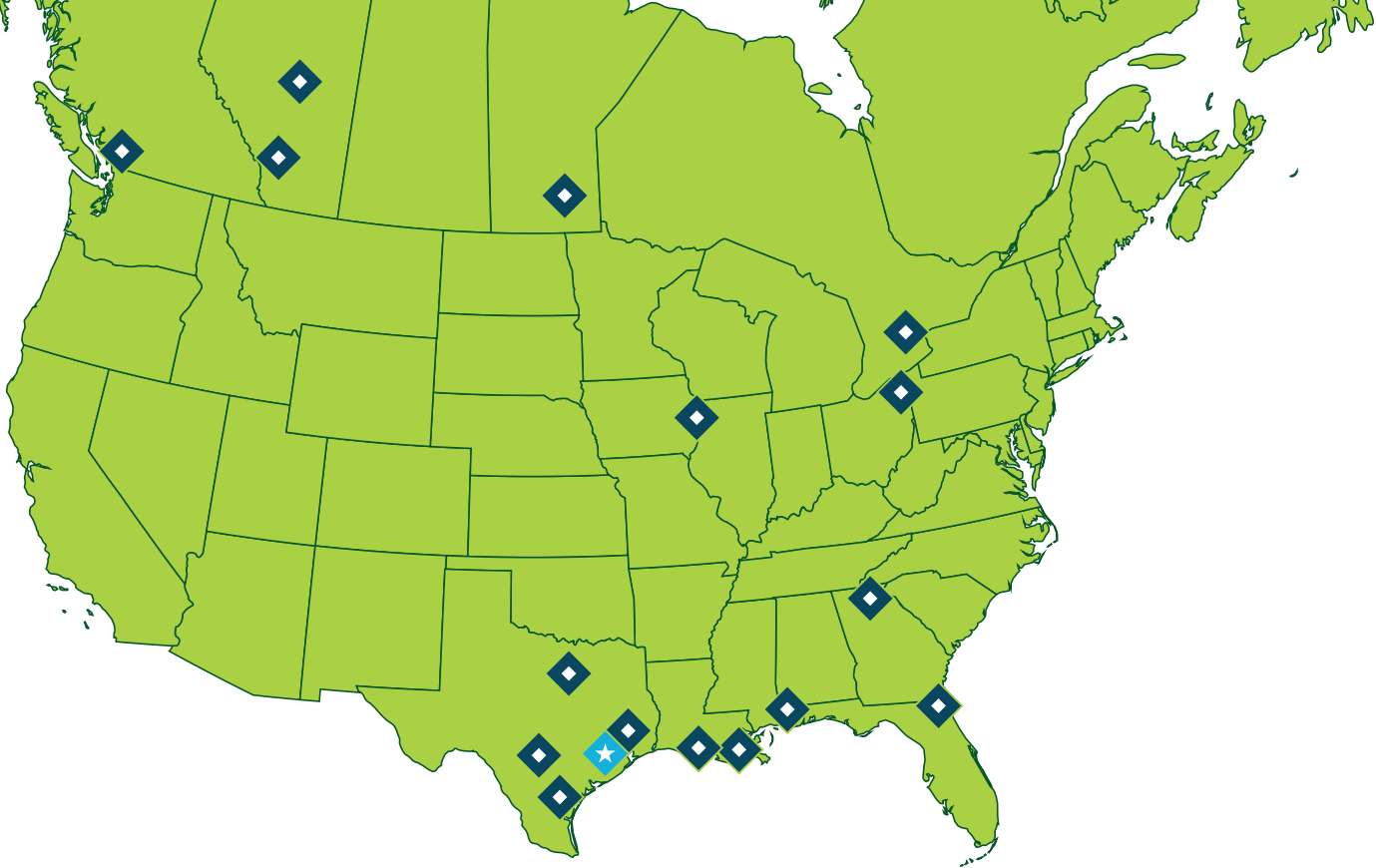
AIR SYSTEMS INTERNATIONAL® BREATHER BOX®			
FILTER ELEMENTS - BB100/BB150			
Part Numbers	Model	Type	
	10ABB100FK	BB100	Filter Kit BB100 Series <i>(Includes Filter Elements A,C and D)</i>
	10ABB150FK	BB150	Filter Kit BB150 Series
	10ASBB100A	BB100/BB150	"A" Filter Element and O-Ring
	10ASBB100C	BB100/BB150	"C" Filter Element and O-Ring
	10ASBB100D	BB100/BB150	"D" Filter Element and O-Ring

OPTIONAL ACCESSORIES

Part Numbers		BREATHER BOX® CALIBRATION ACCESSORIES
		Description
	10ASBBG20	20 ppm Calibration Gas, 17 Liter
	1050106	Zero Calibration Gas, 17 Liter
	10ASBBG02	Oxygen Sensor Calibration Gas, 20.9% Nitrogen, 17 Liter
	10ASBBK20	Calibration Kit (<i>includes Zero Gas, 20 PPM CO, Calibration Hose and Fitting, Flow Regulator with Indicator Gauge and Potentiometer Tool in a convenient storage case</i>)

OPTIONAL ACCESSORIES

Part Numbers		BREATHER BOX® ACCESSORIES
		Description
	10ASELCB035	12-Volt AC Power Cord – Per Foot
	10ASCO91NS	Replacement CO Sensor
	10AS50ALMST	DC Audible Alarm with Mounted Visual Strobe
	10AS50ALMS5TH	High Intensity (123 Db) Audible Alarm with Mounted Visual Strobe
	10ASMONC703	Replacement Monitor
	10103346	9 Volt Alkaline Battery



ALLREDI THERE

Serving these industries: Bridge, Pipeline, Tank & Tower, Concrete Services, Rail, Shipyard & Marine, Pools & Fountains and Foundry

UNITED STATES

Pasadena, TX (*Headquarters*)
844.361.7038

Beaumont, TX
409.722.1284

Bristol, PA
215.826.8080

Corpus Christi, TX
361.887.2038

Davenport, IA
563.324.2519

Deer Park, TX
(*Service & Rental Location*)
281.930.0905

Duluth, GA
800.535.4564

Gonzales, LA
225.647.7575

Harvey, LA
504.367.8090

Houma, LA
985.580.4273

Jacksonville, FL
904.262.2120

Lafayette, LA
337.267.1440

Theodore, AL
251.338.7525

Youngstown, OH
330.448.6267

CANADA

Calgary, Alberta
403.279.1924

Coquitlam, BC
604.464.6979

Edmonton, Alberta
780.468.2588 (Manus)
780.425.5510 (Mod-U-Blast)

Hamilton, Ontario
905.527.6000 / 888.794.5665

Mississauga, Ontario
905.890.5837

Winnipeg, Manitoba
204.256.3324

800-252-7848 / WWW.ALLREDI-US.COM

Allredi™ and Marco® are registered trademarks of Allredi, LLC.
All other brand names or marks are used for identification purposes and are trademarks of their respective owners.

ALLREDI™
Literature #306M538_2/9/2023